

# ***Sprockets - Chain***

CHSSB- customers' trusted trademark

CAPT - Sprockets  
symbol of high quality products



# Sprockets - Gears & Racks



**S<sup>tock</sup>  
B<sup>ore</sup>** **Stock Sprockets**  
03-32B S-D-T



**F<sup>inished</sup>  
B<sup>ore</sup>** **Sprockets**  
06B1-20B1



**T<sup>aper</sup>  
B<sup>ore</sup>** **Stock Sprockets**  
06B-20B S-D-T  
**Cast Iron Sprockets**  
06B-32B S-D-T



**S<sup>tock</sup>  
B<sup>ore</sup>** **Gears & Racks**  
M1-M8  
**Worm Gear & Worm**  
M1-M6

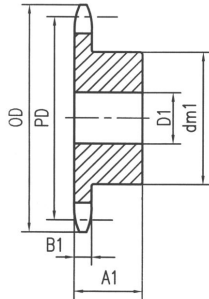


**S<sup>tock</sup>  
B<sup>ore</sup>** **Sprockets with other**  
Steel Stock Sprockets  
Tensioner Sprockets  
Wheels for hinge Sprockets  
Double simplex Sprockets  
all kinds of conveyer sprockets  
with long pitch

# Stock Sprockets

FOR ROLLER CHAINS DIN8187-ISO/R 606

**03-1**  
5X2.5mm



Pinions		mm
Tooth radius	r <sub>3</sub>	5
Radius Width	C	0.4
Tooth Width	B <sub>1</sub>	2.3
<b>ROLLER-φ3.2mm</b>		

## PITCH-5mm

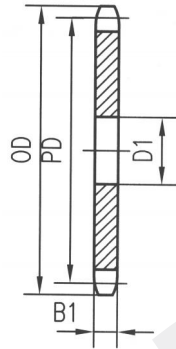
Z	OD	PD	SIMPLEX		
			dm1	D1	A1
8	14.80	13.06	7	4	10
9	16.40	14.62	8	5	10
10	17.90	16.18	9	5	10
11	19.50	17.75	11	6	10
12	21.10	19.32	12	6	10
13	22.60	20.89	14	6	10
14	24.20	22.47	15	6	10
15	25.80	24.04	16	6	10
16	27.40	25.63	18	8	13
17	29.00	27.20	18	8	13
18	30.50	28.79	18	8	13
19	32.10	30.38	18	8	13
20	33.70	31.96	18	8	13
21	35.30	33.54	20	8	13
22	36.90	35.13	20	8	13
23	38.50	36.72	20	8	13
24	40.10	38.30	20	8	13
25	41.60	39.89	20	8	13
26	43.20	41.48	25	8	15
27	44.80	43.07	25	8	15
28	46.40	44.65	25	8	15
29	48.00	46.25	25	8	15
30	49.60	47.83	25	8	15
31	51.20	49.42	30	8	15
32	52.80	51.01	30	8	15
33	54.40	52.60	30	8	15
34	55.90	54.19	30	8	15
35	57.50	55.78	30	8	15
36	59.10	57.37	30	8	15
37	60.70	58.96	30	8	15
38	62.30	60.54	30	8	15
39	63.90	62.13	30	8	15
40	65.50	63.73	30	8	15

# Stock Sprockets

FOR ROLLER CHAIN DIN8187-ISO/R 606

## 03

5X2.5mm



Da Z 51 h=4 mm

Pinions		mm
Tooth radius	r <sub>3</sub>	5
Radius Width	C	0.4
Tooth Width	B <sub>1</sub>	2.3
<b>ROLLER-Ø3.2mm</b>		

## PITCH-5mm

Z	OD	PD	Simplex D1
8	14.80	13.06	4
9	16.40	14.62	4
10	17.90	16.18	4
11	19.50	17.75	5
12	21.10	19.32	5
13	22.60	20.89	5
14	24.20	22.47	5
15	25.80	24.04	5
16	27.40	25.63	6
17	29.00	27.20	6
18	30.50	28.79	6
19	32.10	30.38	6
20	33.70	31.96	6
21	35.30	33.54	8
22	36.90	35.13	8
23	38.50	36.72	8
24	40.10	38.30	8
25	41.60	39.89	8
26	43.20	41.48	8
27	44.80	43.07	8
28	46.40	44.65	8
29	48.00	46.25	8
30	49.60	47.83	8
31	51.20	49.42	8
32	52.80	51.01	8
33	54.40	52.60	8
34	55.90	54.19	8
35	57.50	55.78	8
36	59.10	57.37	8
37	60.70	58.96	8
38	62.30	60.54	8
39	63.90	62.13	8
40	65.50	63.73	8
41	67.10	65.31	8
42	68.70	66.91	8
43	70.20	68.49	8
44	71.80	70.09	8
45	73.40	71.68	8
46	75.00	73.27	8
47	76.60	74.86	8

Z	OD	PD	Simplex D1
48	78.20	76.45	8
49	79.80	78.03	8
50	81.40	79.63	8
51	83.00	81.22	8
52	84.60	82.81	10
53	86.20	84.40	10
54	87.70	85.97	10
55	89.30	87.58	10
56	90.90	89.17	10
57	92.60	90.76	10
58	94.10	92.35	10
59	95.70	93.94	10
60	97.30	95.53	10
62	100.50	98.72	12
64	103.70	101.90	12
65	105.20	103.49	12
66	106.80	105.08	12
68	110.00	108.26	12
70	113.20	111.44	12
72	116.40	114.63	12
75	121.20	119.40	12
76	122.70	120.99	12
78	125.90	124.17	12
80	129.10	127.35	12
85	137.10	135.31	14
90	145.00	143.27	14
95	153.00	151.22	14
100	160.90	159.18	14
110	176.80	175.09	14
114	183.20	181.46	14
120	192.80	191.01	14
125	200.70	198.96	14

# Stock Sprockets

FOR ROLLER CHAIN DIN8187-ISO/R 606

## 04

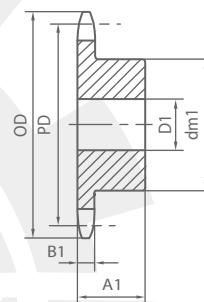
6X2.8mm

### PITCH-6mm



Pinions		mm
Tooth radius	r <sub>3</sub>	6
Radius Width	C	0.6
Tooth Width	B <sub>1</sub>	2.6
<b>ROLLER-Ø4mm</b>		

Z	OD	PD	SIMPLEX		
			dm1	D1	A1
8	18.00	15.67	9.8	5	10
9	19.90	17.54	11.5	5	10
10	21.70	19.42	13	6	10
11	23.60	21.30	14	6	10
12	25.40	23.18	16	6	10
13	27.30	25.05	18	6	10
14	29.20	26.96	20	6	10
15	31.10	28.86	20	6	10
16	33.00	30.76	20	8	13
17	35.00	32.65	20	8	13
18	36.90	34.55	20	8	13
19	38.80	36.44	20	8	13
20	40.70	38.34	20	8	13
21	42.60	40.25	25	8	13
22	44.50	42.16	25	8	13
23	46.40	44.06	25	8	13
24	48.30	45.96	25	8	13
25	50.20	47.87	25	8	13
26	52.10	49.77	30	8	15
27	54.00	51.67	30	8	15
28	55.90	53.58	30	8	15
29	57.80	55.50	30	8	15
30	59.80	57.42	30	8	15
31	61.70	59.31	30	10	15
32	63.60	61.21	30	10	15
33	65.50	63.11	30	10	15
34	67.40	65.02	30	10	15
35	69.30	66.93	30	10	15
36	71.20	68.84	30	10	15
37	73.10	70.75	30	10	15
38	75.00	72.66	30	10	15
39	76.90	74.56	30	10	15
40	78.90	76.47	30	10	15
45	88.50	86.01	62	12	18
50	98.00	95.55	62	12	18
57	111.40	108.93	62	12	18

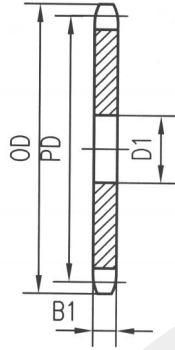


# Stock Sprockets

FOR ROLLER CHAIN DIN8187-ISO/R 606

## 04

6X2.8mm



Da Z 51 h=4 mm

Pinions		mm
Tooth radius	r <sub>3</sub>	6
Radius Width	C	0.6
Tooth Width	B <sub>1</sub>	2.6
<b>ROLLER-Ø4mm</b>		

## PITCH-6mm

Z	OD	PD	Simplex D1
8	18.00	15.67	5
9	19.90	17.54	5
10	21.70	19.42	6
11	23.60	21.30	6
12	25.40	23.18	6
13	27.30	25.05	8
14	29.20	26.96	8
15	31.10	28.86	8
16	33.00	30.76	8
17	35.00	32.65	8
18	36.90	34.55	8
19	38.80	36.44	8
20	40.70	38.34	8
21	42.60	40.25	8
22	44.50	42.16	8
23	46.40	44.06	8
24	48.30	45.96	8
25	50.20	47.87	8
26	52.10	49.77	8
27	54.00	51.67	8
28	55.90	53.58	8
29	57.80	55.50	8
30	59.80	57.42	8
31	61.70	59.31	8
32	63.60	61.21	10
33	65.50	63.11	10
34	67.40	65.02	10
35	69.30	66.93	10
36	71.20	68.84	10
37	73.10	70.75	10
38	75.00	72.66	10
39	76.90	74.56	10
40	78.90	76.47	10
41	80.80	78.38	10
42	82.70	80.28	12
43	84.70	82.19	12
44	86.60	84.10	12
45	88.50	86.01	12
46	90.40	87.92	12
47	92.30	89.83	12

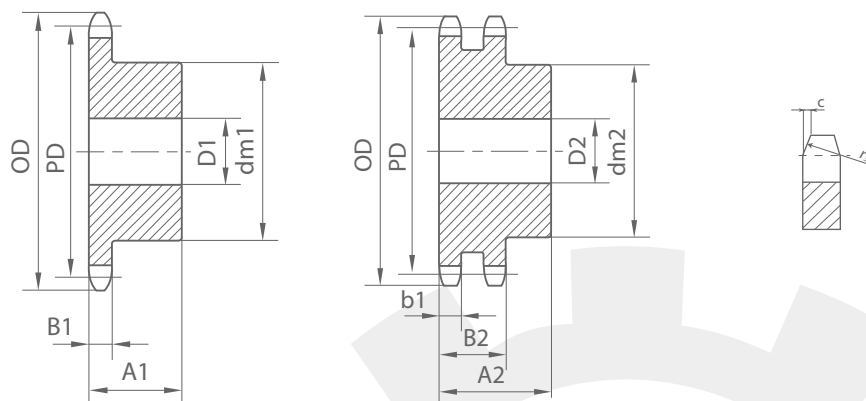
Z	OD	PD	Simplex D1
48	94.20	91.47	12
49	96.10	93.64	12
50	98.00	95.55	12
51	99.90	97.47	12
52	101.80	99.37	12
53	103.70	101.27	12
54	105.60	103.17	12
55	107.60	105.08	12
56	109.50	107.00	12
57	111.40	108.93	12
58	113.30	110.82	12
59	115.20	112.71	12
60	117.10	114.62	12
62	120.90	118.45	16
64	124.70	122.27	16
65	126.60	124.18	16
66	128.50	126.09	16
68	132.40	129.91	16
70	136.20	133.73	16
72	140.00	137.55	16
75	145.70	143.28	16
76	147.60	145.19	16
78	151.50	149.01	16
80	155.30	152.82	16
85	164.80	162.37	16
90	174.40	171.92	16
95	183.90	181.47	16
100	193.50	191.01	16
110	211.60	210.11	16
114	220.20	217.75	16
120	231.70	229.20	16
125	241.20	238.75	16

# Stock Sprockets

FOR ROLLER CHAINS DIN8187-ISO/R 606

## 05B

8X3.0mm



Pinions		mm
Tooth radius	$r_3$	8
Radius Width	C	0.8
Tooth Width	$B_1$	2.8
Tooth Width	$b_1$	2.7
Tooth Width	$B_2$	8.3
<b>ROLLER-<math>\phi</math>5mm</b>		

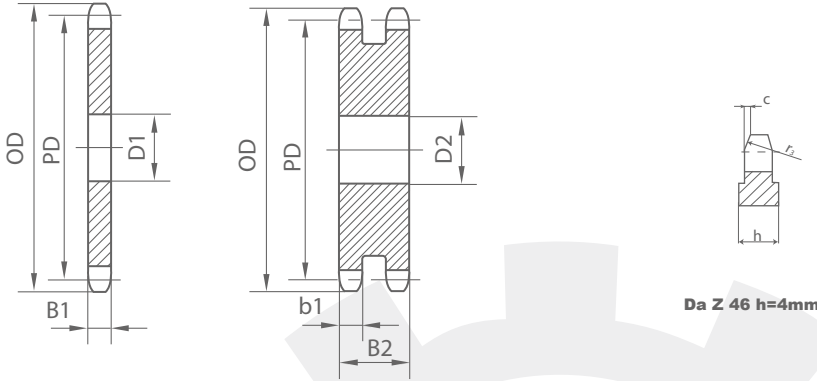
## PITCH-8mm

Z	OD	PD	SIMPLEX			DUPLEX		
			dm1	D1	A1	dm2	D2	A2
8	23.40	20.90	13	6	12	12	6	18
9	25.90	23.39	15	6	12	15	6	18
10	28.40	25.89	17	6	12	17	8	18
11	31.00	28.39	18	7	13	19	8	18
12	33.70	30.91	20	7	13	21	8	18
13	36.70	33.42	23	7	13	24	8	18
14	39.20	35.95	25	7	13	26	8	18
15	41.70	38.48	28	7	13	29	8	18
16	44.20	41.01	30	8	14	32	10	20
17	46.70	43.53	30	8	14	34	10	20
18	49.20	46.07	30	8	14	37	10	20
19	51.70	48.61	30	8	14	39	10	20
20	54.20	51.14	30	8	14	40	10	20
21	57.20	53.67	35	8	14	45	12	20
22	59.40	56.21	35	8	14	45	12	20
23	62.20	58.75	35	8	14	45	12	20
24	64.70	61.29	35	8	14	45	12	20
25	67.20	63.83	35	8	14	45	12	20
26	69.70	66.37	40	10	16	50	12	22
27	72.30	68.91	40	10	16	50	12	22
28	74.70	71.45	40	10	16			
29	77.20	73.99	40	10	16			
30	80.20	76.53	40	10	16	50	12	22
31	82.70	79.08	40	12	16			
32	85.20	81.61	40	12	16	60	12	22
33	87.70	84.16	40	12	16			
34	90.20	86.70	40	12	16			
35	92.70	89.24	40	12	16	60	12	22
36	95.20	91.79	40	12	16	60	12	22
37	97.70	94.33	40	12	16			
38	100.20	96.88	40	12	16	60	12	22
39	102.70	99.42	40	12	16			
40	105.20	101.97	40	12	16	60	12	22
45	118.60	114.69	60	12	20			
50	131.50	127.41	60	12	20			
57	149.30	145.22	80	14	20			

# Stock Sprockets

FOR ROLLER CHAIN DIN8187-ISO/R 606

**05B**  
8X3.0mm



Pinions		mm
Tooth radius	r <sub>3</sub>	8
Radius Width	C	0.8
Tooth Width	B <sub>1</sub>	2.8
Tooth Width	b <sub>1</sub>	2.7
Tooth Width	B <sub>2</sub>	8.3
<b>ROLLER-φ5mm</b>		

## PITCH-8mm

Z	OD	PD	SIMPLEX		DUPLEX		Z	OD	PD	SIMPLEX		DUPLEX	
			D1	D2	D1	D2				D1	D2		
8	23.40	20.90	6	8	48	126.40	122.32	12	16				
9	25.90	23.39	6	8	49	128.90	124.86						
10	28.40	25.89	8	8	50	131.50	127.41	12	16				
11	31.00	28.39	8	8	51	134.00	129.95						
12	33.70	30.91	8	8	52	136.60	132.49	16	16				
13	36.70	33.42	8	8	53	139.10	135.04						
14	39.20	35.95	8	8	54	141.70	137.59	16					
15	41.70	38.48	8	8	55	144.20	140.13	16					
16	44.20	41.01	8	10	56	146.80	142.68		16				
17	46.70	43.53	8	10	57	149.30	145.22	16	16				
18	49.20	46.07	8	10	58	151.90	147.77	16					
19	51.70	48.61	8		59	154.50	150.31						
20	54.20	51.14	8		60	157.10	152.85	16	16				
21	57.20	53.67	10	10	62	162.20	157.95	16					
22	59.40	56.21	10	10	64	167.30	163.04	16					
23	62.20	58.75	10	10	65	169.80	165.58	16	20				
24	64.70	61.29	10	10	66	172.40	168.13						
25	67.20	63.83	10	10	68	177.50	173.22						
26	69.70	66.37	10	12	70	182.60	178.31	16					
27	72.30	68.91	10		72	187.70	183.41						
28	74.70	71.45	10	12	75	195.30	191.04	20					
29	77.20	73.99	10		76	197.90	193.59	20	20				
30	80.20	76.53	10	12	78	203.00	198.68						
31	82.70	79.08	10		80	208.10	203.77	20	20				
32	85.20	81.61	10	12	85	220.80	216.50	20					
33	87.70	84.16	10		90	233.60	229.23	20					
34	90.20	86.70	10	12	95	246.30	241.96	20					
35	92.70	89.24	10	12	100	259.10	254.68						
36	95.20	91.79	10	12	110	284.60	280.15						
37	97.70	94.33	12		114	294.80	290.33	20	20				
38	100.20	96.88	12	12	120	310.10	305.61	20					
39	102.70	99.42	12		125	322.80	318.34	20					
40	105.20	101.97	12	12									
41	108.40	104.51											
42	111.00	107.05											
43	113.50	109.60											
44	116.10	112.14											
45	118.60	114.69	12										
46	121.20	117.23	12	16									
47	123.70	119.77											

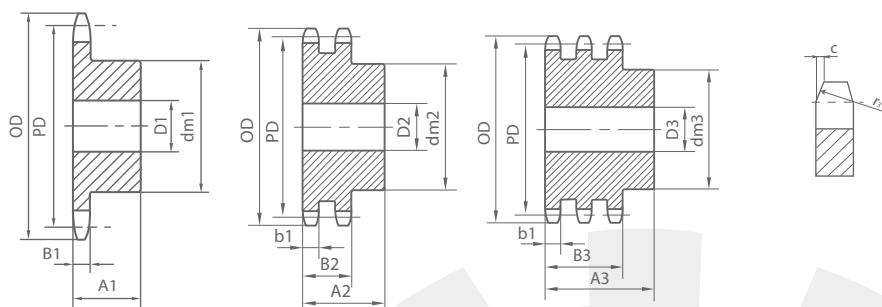


# Stock Sprockets

FOR ROLLER CHAINS DIN8187-ISO/R 606

## 06B

3/8"X7/32"



Pinions		mm
Tooth radius	r <sub>3</sub>	10
Radius Width	C	1
Tooth Width	B <sub>1</sub>	5.3
Tooth Width	b <sub>1</sub>	5.2
Tooth Width	B <sub>2</sub>	15.4
Tooth Width	B <sub>3</sub>	25.6

**ROLLER-φ6.35mm**

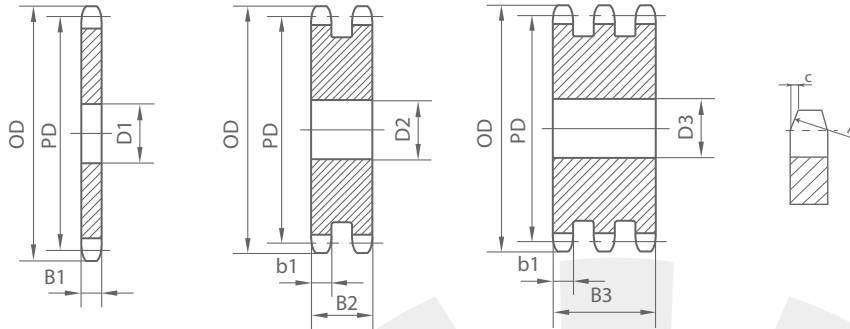
## PITCH-9.525mm

Z	OD	PD	SIMPLEX			DUPLEX			TRIPLEX		
			dm1	D1	A1	dm2	D2	A2	dm3	D3	A3
8	28.60	24.89	15	8	20	15	8	25	15	8	32
9	31.50	27.85	18	8	20	18	8	25	18	8	32
10	34.50	30.82	20	8	20	20	8	25	20	10	32
11	37.50	33.80	22	8	25	22	10	30	22	12	35
12	40.50	36.80	25	8	25	25	10	30	25	12	35
13	43.50	39.80	28	8	25	28	10	30	28	12	35
14	46.50	42.80	31	8	25	31	10	30	31	12	35
15	49.50	45.81	34	8	25	34	10	30	34	12	35
16	52.50	48.82	37	10	28	37	12	30	37	12	35
17	55.50	51.83	40	10	28	40	12	30	40	12	35
18	58.60	54.85	43	10	28	43	12	30	43	12	35
19	61.60	57.87	45	10	28	46	12	30	46	12	35
20	64.60	60.89	46	10	28	49	12	30	49	12	35
21	67.60	63.91	48	12	28	52	16	30	52	16	40
22	70.60	66.93	50	12	28	55	16	30	55	16	40
23	73.70	69.95	52	12	28	58	16	30	58	16	40
24	76.70	72.97	54	12	28	61	16	30	61	16	40
25	79.70	76.00	57	12	28	64	16	30	64	16	40
26	82.70	79.02	60	12	28	67	16	30	67	16	40
27	85.70	82.04	60	12	28	70	16	30	70	16	40
28	88.80	85.07	60	12	28	73	16	30	73	16	40
29	91.80	88.09	60	12	28	76	16	30	76	16	40
30	94.80	91.12	60	12	30	79	16	30	79	16	40
31	97.90	94.15	65	14	30	80	16	30	80	16	40
32	100.90	97.17	65	14	30	80	16	30	80	16	40
33	103.90	100.20	65	14	30	80	16	30	80	16	40
34	106.90	103.23	65	14	30	80	16	30	85	16	40
35	110.00	106.26	65	14	30	80	16	30	85	16	40
36	113.00	109.29	70	16	30	90	16	30	90	16	40
37	116.00	112.32	70	16	30	90	16	30	90	16	40
38	119.00	115.34	70	16	30	90	16	30	90	16	40
39	122.10	118.37	70	16	30	90	16	30	90	16	40
40	125.10	121.40	70	16	30	90	16	30	90	16	40
42	132.10	127.46	78	16	35	88	20	50	88	16	60
45	141.10	136.54	78	16	35	88	20	50	88	20	60
46	144.20	139.58	78	16	35						
48	150.20	145.64	78	16	35	88	20	50			
50	156.30	151.69	78	20	35	88	20	50	88	20	60
55	171.40	166.85	78	20	35				88	20	60
57	177.50	172.91	78	20	35	88	20	50	88	25	60
60	186.60	181.99	78	20	35	88	20	50	88	25	60
76	235.10	230.49	78	20	35	88	25	50	88	25	60
95	292.70	288.08	88	25	40	108	25	50	120	25	60

# Stock Sprockets

FOR ROLLER CHAINS DIN8187-ISO/R 606

**06B**  
3/8"X7/32"



Pinions		mm
Tooth radius	r <sub>3</sub>	10
Radius Width	C	1
Tooth Width	B <sub>1</sub>	5.3
Tooth Width	b <sub>1</sub>	5.2
Tooth Width	B <sub>2</sub>	15.4
Tooth Width	B <sub>3</sub>	25.6

**ROLLER-Ø6.35mm**

## PITCH-9.525mm

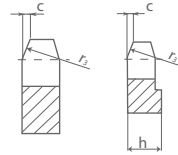
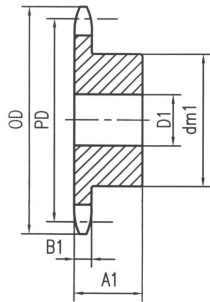
Z	OD	PD	SIMPLEX	DUPLEX	TRIPLEX	Z	OD	PD	SIMPLEX	DUPLEX	TRIPLEX
			D1	D2	D3				D1	D2	D3
8	28.60	24.89	6		8	48	150.20	145.64	16	20	20
9	31.50	27.85	8		8	49	153.30	148.66	16	20	
10	34.50	30.82	8			50	156.30	151.69	20	20	20
11	37.50	33.80	8	10	12	51	159.30	154.72	20	20	
12	40.50	36.80	8	10	12	52	162.40	157.75	20	20	
13	43.50	39.80	8	10	12	53	165.40	160.78	20	20	
14	46.50	42.80	8	10	12	54	168.40	163.82	20	20	
15	49.50	45.81	8	10	12	55	171.40	166.85	20	20	
16	52.50	48.82	10	12	12	56	174.50	169.88	20	20	
17	55.50	51.83	10	12	12	57	177.50	172.91	20	20	25
18	58.60	54.85	10	12	12	58	180.50	175.93	20	20	25
19	61.60	57.87	10	12	12	59	183.60	178.96			
20	64.60	60.89	10	12	12	60	186.60	181.99	20	20	25
21	67.60	63.91	10	12	16	62	192.70	188.06	20	25	
22	70.60	66.93	10	12	16	64	198.70	194.12	20	25	25
23	73.70	69.95	10	12	16	65	201.80	197.15	20	25	25
24	76.70	72.97	10	12	16	66	204.80	200.18	20	25	25
25	79.70	76.00	10	12	16	68	210.80	206.24	20	25	
26	82.70	79.02	10	16	16	70	216.90	212.30	20	25	25
27	85.70	82.04	10	16	16	72	223.00	218.37	20	25	25
28	88.80	85.07	10	16	16	75	232.10	227.46	20	25	
29	91.80	88.09	10	16	16	76	235.10	230.49	20	25	25
30	94.80	91.12	10	16	16	78	241.20	236.55		25	25
31	97.90	94.15	12	16	16	80	247.20	242.61	20	25	25
32	100.90	97.17	12	16	16	85	262.40	257.77	25	25	25
33	103.90	100.20	12	16		90	277.50	272.93	25	25	25
34	106.90	103.23	12	16	16	95	292.70	288.08	25	25	25
35	110.00	106.26	12	16	16	100	307.80	303.25	25	25	25
36	113.00	109.29	12	16	20	110	338.20	333.55	25	25	
37	116.00	112.32	12	16		114	350.30	345.68	25	25	25
38	119.00	115.34	12	16	20	120	368.50	363.86	25	25	
39	122.10	118.37	12	16		125	383.60	379.02	25	25	25
40	125.10	121.40	12	16	20						
41	129.00	124.43	16	20							
42	132.10	127.46	16	20	20						
43	135.10	130.49	16	20							
44	138.10	133.52	16	20	20						
45	141.10	136.54	16	20	20						
46	144.20	139.58	16	20							
47	147.20	142.61	16								

# Stock Sprockets

FOR ROLLER CHAIN DIN8187-ISO/R 606

## 081

1/2"X1/8"



Da Z 31 h=4 mm

Pinions		mm
Tooth radius	r <sub>3</sub>	13
Radius Width	C	0.8
Tooth Width	B <sub>1</sub>	3
<b>ROLLER-<math>\phi</math>7.75mm</b>		

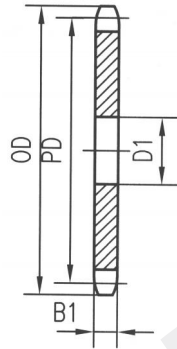
## PITCH-12.70mm

Z	OD	PD	SIMPLEX		
			dm1	D1	A1
8	39.50	33.18	21	8	14
9	43.40	37.13	25	8	14
10	47.40	41.10	28	8	14
11	51.40	45.07	31	8	16
12	55.40	49.07	35	8	16
13	59.40	53.06	39	8	16
14	63.40	57.07	43	8	16
15	67.40	61.09	47	8	16
16	71.40	65.10	50	10	18
17	75.40	69.11	50	10	18
18	79.40	73.14	50	10	18
19	83.50	77.16	50	10	18
20	87.50	81.19	50	10	18
21	91.50	85.22	60	12	20
22	95.50	89.24	60	12	20
23	99.60	93.27	60	12	20
24	103.60	97.29	60	12	20
25	107.60	101.33	60	12	20
26	111.70	105.36	70	16	20
27	115.70	109.40	70	16	20
28	119.70	113.42	70	16	20
29	123.80	117.46	70	16	20
30	127.80	121.50	70	16	20
31	131.80	125.54	70	16	20
32	135.90	129.56	70	16	20
33	139.90	133.60	70	16	20
34	143.90	137.64	70	16	20
35	148.00	141.68	70	16	20
36	152.00	145.72	70	16	25
37	156.10	149.76	70	16	25
38	160.10	153.80	70	16	25
39	164.10	157.83	70	16	25
40	168.20	161.87	70	16	25

# Stock Sprockets

FOR ROLLER CHAIN DIN8187-ISO/R 606

**081**  
1/2"X1/8"



Da Z 31 h=4 mm  
Da Z 90 h=6 mm

Pinions		mm
Tooth radius	r <sub>3</sub>	13
Radius Width	C	0.8
Tooth Width	B <sub>1</sub>	3

**ROLLER-Ø7.75mm**

## PITCH-12.70mm

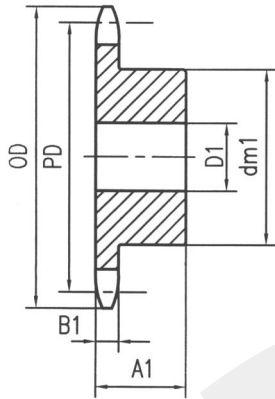
Z	OD	PD	SIMPLEX D1
8	39.50	33.18	8*
9	43.40	37.13	8
10	47.40	41.10	8
11	51.40	45.07	8
12	55.40	49.07	8
13	59.40	53.06	8
14	63.40	57.07	8
15	67.40	61.09	8
16	71.40	65.10	8
17	75.40	69.11	8
18	79.40	73.14	8
19	83.50	77.16	8
20	87.50	81.19	8
21	91.50	85.22	8
22	95.50	89.24	10
23	99.60	93.27	10
24	103.60	97.29	12
25	107.60	101.33	12
26	111.70	105.36	12
27	115.70	109.40	12
28	119.70	113.42	12
29	123.80	117.46	12
30	127.80	121.50	12
31	131.80	125.54	16
32	135.90	129.56	12
33	139.90	133.60	12
34	143.90	137.64	12
35	148.00	141.68	12
36	152.00	145.72	16
37	156.10	149.76	16
38	160.10	153.80	16
39	164.10	157.83	16
40	168.20	161.87	16
41	172.70	165.91	16
42	176.70	169.95	16
43	180.80	173.99	16
44	184.80	178.03	16
45	188.90	182.07	16
46	192.90	186.10	16
47	196.90	190.14	16

Z	OD	PD	SIMPLEX D1
48	201.00	194.18	20
49	205.00	198.22	20
50	209.10	202.26	20
51	213.10	206.30	20
52	217.10	210.34	20
53	221.20	214.37	20
54	225.20	218.43	20
55	229.30	222.46	20
56	233.30	226.50	20
57	237.30	230.54	20
58	241.40	234.58	20
59	245.40	238.62	20
60	249.50	242.66	20
62	257.50	250.75	25
64	265.60	258.82	25
65	269.70	262.86	25
66	273.70	266.90	25
68	281.80	274.99	25
70	289.90	283.07	25
72	298.00	291.16	25
75	310.10	303.27	25
76	314.10	307.33	25
78	322.20	315.40	25
80	330.30	323.48	25
85	350.50	343.69	25
90	370.70	363.90	25
95	390.90	384.11	25
100	411.10	404.31	25
110	451.50	444.74	25
114	467.70	460.90	25
120	492.00	485.16	25
125	512.20	505.37	25

# Stock Sprockets

FOR ROLLER CHAINS DIN8187-ISO/R 606

**083/084**  
1/2"X3/16"



Pinions		mm
Tooth radius	r <sub>3</sub>	13
Radius Width	C	1.3
Tooth Width	B <sub>1</sub>	4.5
<b>ROLLER-Ø7.75mm</b>		

## PITCH-12.70mm

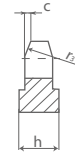
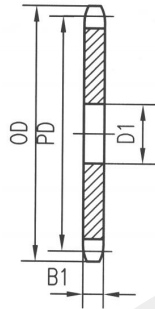
Z	OD	PD	SIMPLEX		
			dm1	D1	A1
8	39.50	33.18	21	8	14
9	43.40	37.13	25	8	14
10	47.40	41.10	28	8	14
11	51.40	45.07	31	8	16
12	55.40	49.07	35	8	16
13	59.40	53.06	39	8	16
14	63.40	57.07	43	8	16
15	67.40	61.09	47	8	16
16	71.40	65.10	50	10	18
17	75.40	69.11	50	10	18
18	79.40	73.14	50	10	18
19	83.50	77.16	50	10	18
20	87.50	81.19	50	10	18
21	91.50	85.22	60	12	20
22	95.50	89.24	60	12	20
23	99.60	93.27	60	12	20
24	103.60	97.29	60	12	20
25	107.60	101.33	60	12	20
26	111.70	105.36	70	16	20
27	115.70	109.40	70	16	20
28	119.70	113.42	70	16	20
29	123.80	117.46	70	16	20
30	127.80	121.50	70	16	20
31	131.80	125.54	70	16	20
32	135.90	129.56	70	16	20
33	139.90	133.60	70	16	20
34	143.90	137.64	70	16	20
35	148.00	141.68	70	16	20
36	152.00	145.72	70	16	25
37	156.10	149.76	70	16	25
38	160.10	153.80	70	16	25
39	164.10	157.83	70	16	25
40	168.20	161.87	70	16	25

# Stock Sprockets

FOR ROLLER CHAINS DIN8187-ISO/R 606

## 083/084

1/2"X3/16"



Da Z 90 h=6 mm

Pinions		mm
Tooth radius	r <sub>3</sub>	13
Radius Width	C	1.3
Tooth Width	B <sub>1</sub>	4.5

**ROLLER- $\phi$ 7.75mm**

## PITCH-12.70mm

Z	OD	PD	SIPMLEX D1
8	39.50	33.18	8
9	43.40	37.13	8
10	47.40	41.10	8
11	51.40	45.07	8
12	55.40	49.07	8
13	59.40	53.06	8
14	63.40	57.07	8
15	67.40	61.09	8
16	71.40	65.10	8
17	75.40	69.11	8
18	79.40	73.14	8
19	83.50	77.16	8
20	87.50	81.19	8
21	91.50	85.22	8
22	95.50	89.24	10
23	99.60	93.27	10
24	103.60	97.29	12
25	107.60	101.33	12
26	111.70	105.36	12
27	115.70	109.40	12
28	119.70	113.42	12
29	123.80	117.46	12
30	127.80	121.50	12
31	131.80	125.54	12
32	135.90	129.56	12
33	139.90	133.60	12
34	143.90	137.64	12
35	148.00	141.68	12
36	152.00	145.72	16
37	156.10	149.76	16
38	160.10	153.80	16
39	164.10	157.83	16
40	168.20	161.87	16
41	172.70	165.91	16
42	176.70	169.95	16
43	180.80	173.99	16
44	184.80	178.03	16
45	188.90	182.07	16
46	192.90	186.10	20
47	196.90	190.14	20

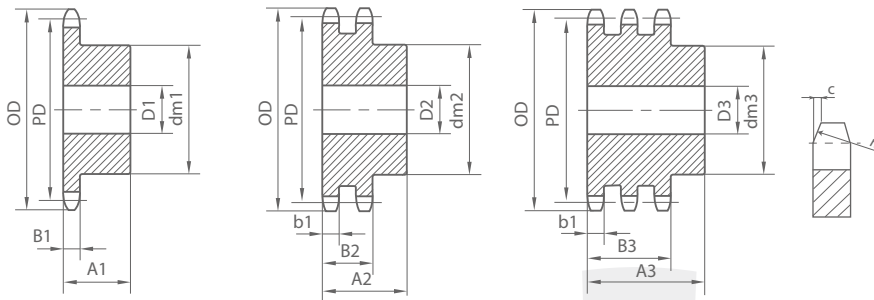
Z	OD	PD	SIPMLEX D1
48	201.00	194.18	20
49	205.00	198.22	20
50	209.10	202.26	20
51	213.10	206.30	20
52	217.10	210.34	20
53	221.20	214.37	20
54	225.20	218.43	20
55	229.30	222.46	20
56	233.30	226.50	20
57	237.30	230.54	20
58	241.40	234.58	20
59	245.50	238.62	20
60	249.50	242.66	20
62	257.50	250.75	20
64	265.60	258.82	20
65	269.70	262.86	20
66	273.70	266.90	20
68	281.80	274.99	25
70	289.90	283.07	25
72	298.00	291.16	25
75	310.10	303.27	25
76	314.10	307.33	25
78	322.20	315.40	25
80	330.30	323.48	25
85	350.50	343.69	25
90	370.70	363.90	25
95	390.90	384.11	25
100	411.10	404.31	25
110	451.50	444.74	25
114	467.70	460.90	25
120	492.00	485.16	25
125	512.20	505.37	25

# Stock Sprockets

FOR ROLLER CHAINS DIN8187-ISO/R 606

## 08B

1/2"X5/16"



Pinions		mm
Tooth radius	$r_3$	13
Radius Width	C	1.3
Tooth Width	$B_1$	7.2
Tooth Width	$b_1$	7
Tooth Width	$B_2$	21
Tooth Width	$B_3$	34.9

**ROLLER- $\phi$ 8.51mm**

## PITCH-12.70mm

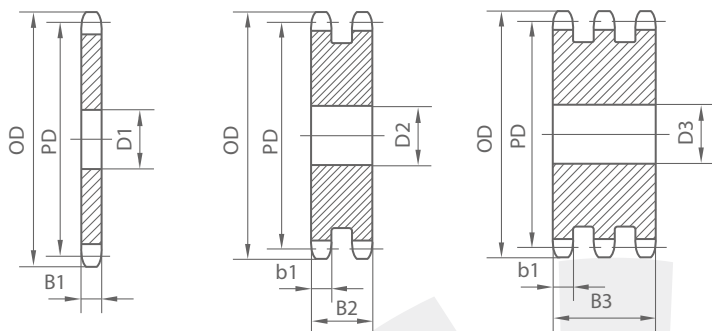
Z	OD	PD	SIMPLEX			DUPLEX			TRIPLEX		
			dm1	D1	A1	dm2	D2	A2	dm3	D3	A3
8	38.00	33.18	20	10	25	20	10	32	20	10	46
9	42.00	37.13	24	10	25	24	10	32	24	12	46
10	45.90	41.10	26	10	25	28	10	32	28	12	46
11	49.90	45.07	29	10	25	32	12	35	32	16	50
12	53.90	49.07	33	10	28	35	12	35	35	16	50
13	57.90	53.06	37	10	28	38	12	35	38	16	50
14	61.90	57.07	41	10	28	42	12	35	42	16	50
15	65.90	61.09	45	10	28	46	12	35	46	16	50
16	69.90	65.10	50	12	28	50	16	38	50	16	50
17	74.00	69.11	52	12	28	54	16	38	54	16	50
18	78.00	73.14	56	12	28	58	16	38	58	16	50
19	82.00	77.16	60	12	28	62	16	38	62	16	50
20	86.00	81.19	64	12	28	66	16	38	66	16	50
21	90.10	85.22	68	14	28	70	16	40	70	16	55
22	94.10	89.24	70	14	28	70	16	40	70	16	55
23	98.10	93.27	70	14	28	70	16	40	70	16	55
24	102.10	97.29	70	14	28	75	16	40	75	16	55
25	106.20	101.33	70	14	28	80	16	40	80	16	55
26	110.20	105.36	70	16	30	85	16	40	85	20	55
27	114.20	109.40	70	16	30	85	16	40	85	20	55
28	118.30	113.42	70	16	30	90	16	40	90	20	55
29	122.30	117.46	80	16	30	95	16	40	95	20	55
30	126.30	121.50	80	16	30	100	16	40	100	20	55
31	130.40	125.54	90	16	30	100	20	40	110	20	55
32	134.40	129.56	90	16	30	100	20	40	110	20	55
33	138.40	133.60	90	16	30	100	20	40	110	20	55
34	142.50	137.64	90	16	30	100	20	40	110	20	55
35	146.50	141.68	90	16	30	100	20	40	110	20	55
36	150.60	145.72	90	16	35	100	20	40	120	25	55
37	154.60	149.76	90	16	35	100	20	40	120	25	55
38	158.60	153.80	90	16	35	100	20	40	120	25	55
39	162.70	157.83	90	16	35	100	20	40	120	25	55
40	166.70	161.87	90	16	35	100	20	40	120	25	55
42	176.50	169.95	88	20	42	108	20	55			68
45	188.60	182.07	88	20	42	108	20	55	120	25	68
46	192.60	186.10	88	20	42	108	20	55			
48	200.70	194.18	88	20	42	108	20	55			
50	208.80	202.26	88	20	42	108	20	55	120	25	68
55	229.00	222.46	88	20	42	108	20	55			
57	237.10	230.54	88	20	42	108	25	55	120	25	68
60	249.20	242.66	88	20	42	108	25	55	120	25	68
76	313.90	307.33	88	25	42	108	25	55	120	25	68
95	390.70	384.11	108	25	42	120	25	55	136	25	68

# Stock Sprockets

FOR ROLLER CHAIN DIN8187-ISO/R 606

## 08B

1/2"X5/16"



Pinions		mm
Tooth radius	r <sub>3</sub>	13
Radius Width	C	1.3
Tooth Width	B <sub>1</sub>	7.2
Tooth Width	b <sub>1</sub>	7
Tooth Width	B <sub>2</sub>	21
Tooth Width	B <sub>3</sub>	34.9

**ROLLER-ø8.51mm**

## PITCH-12.70mm

Z	OD	PD	SIMPLEX	DUPLEX	TRIPLEX	Z	OD	PD	SIMPLEX	DUPLEX	TRIPLEX
			D1	D2	D3				D1	D2	D3
8	38.00	33.18	8		10	48	200.70	194.18	20	20	25
9	42.00	37.13	8	10	10	49	204.80	198.22	20	20	25
10	45.90	41.10	8	10	10	50	208.80	202.26	20	20	25
11	49.90	45.07	10	10	12	51	212.80	206.30	20	25	
12	53.90	49.07	10	10	12	52	216.90	210.34	20	25	25
13	57.90	53.06	10	10	12	53	220.90	214.37	20	25	25
14	61.90	57.07	10	10	12	54	225.00	218.43	20	25	25
15	65.90	61.09	10	10	12	55	229.00	222.46	20	25	25
16	69.90	65.10	10	12	16	56	233.00	226.50	20	25	25
17	74.00	69.11	10	12	16	57	237.10	230.54	20	25	25
18	78.00	73.14	10	12	16	58	241.10	234.58	20	25	
19	82.00	77.16	10	12	16	59	245.20	238.62			
20	86.00	81.19	10	12	16	60	249.20	242.66	20		
21	90.10	85.22	12	16	16	62	257.30	250.75	25	25	25
22	94.10	89.24	12	16	16	64	265.40	258.82	25	25	
23	98.10	93.27	12	16	16	65	269.40	262.86	25	25	25
24	102.10	97.29	12	16	16	66	273.40	266.90	25		
25	106.20	101.33	12	16	16	68	281.50	274.99	25	25	25
26	110.20	105.36	16	16	16	70	289.60	283.07	25	25	25
27	114.20	109.40	16	16	16	72	297.70	291.16	25	25	25
28	118.30	113.42	16	16	16	75	309.80	303.27	25	25	25
29	122.30	117.46	16	16	16	76	313.90	307.33	25	25	25
30	126.30	121.50	16	16	16	78	321.90	315.40	25		25
31	130.40	125.54	16	16		80	330.00	323.48	25	25	25
32	134.40	129.56	16	16	20	85	350.20	343.69	25	25	25
33	138.40	133.60	16	16	20	90	370.40	363.90	25	25	25
34	142.50	137.64	16	16	20	95	390.70	384.11	25	25	25
35	146.50	141.68	16	16	20	100	410.90	404.31	25	25	25
36	150.60	145.72	16	20	20	110	451.30	444.74	25	25	25
37	154.60	149.76	16	20		114	467.40	460.90	25	25	25
38	158.60	153.80	16	20	20	120	491.70	485.16	25	25	
39	162.70	157.83	16	20		125	511.00	505.37	25	25	25
40	166.70	161.87	16	20	20						
41	172.40	165.91	20	20							
42	176.50	169.95	20	20	25						
43	180.50	173.99	20	20	25						
44	184.60	178.03	20	20	25						
45	188.60	182.07	20	20	25						
46	192.60	186.10	20	20	25						
47	196.70	190.14	20		25						

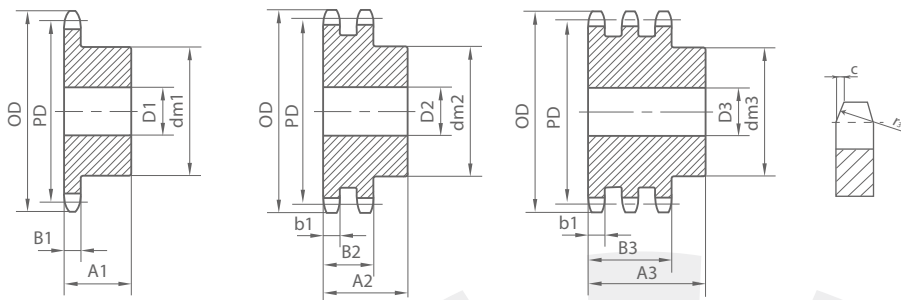


# Stock Sprockets

FOR ROLLER CHAINS DIN8187-ISO/R 606

## 10B

5/8"X3/8"



Pinions		mm
Tooth radius	r <sub>3</sub>	16
Radius Width	C	1.6
Tooth Width	B <sub>1</sub>	9.1
Tooth Width	b <sub>1</sub>	9
Tooth Width	B <sub>2</sub>	25.5
Tooth Width	B <sub>3</sub>	42.1

**ROLLER-Ø10.16mm**

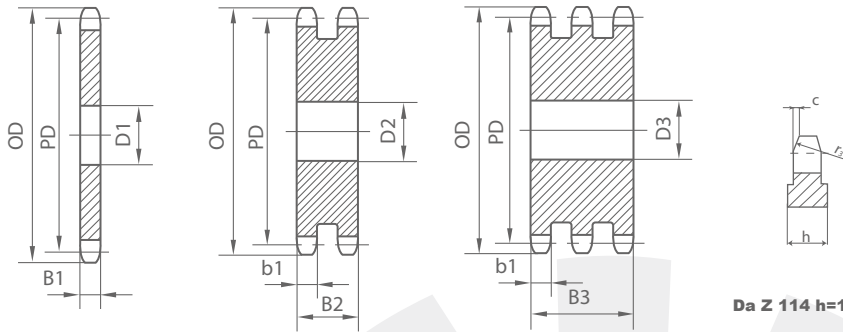
## PITCH-15.875mm

Z	OD	PD	SIMPLEX			DUPLEX			TRIPLEX		
			dm1	D1	A1	dm2	D2	A2	dm3	D3	A3
8	48.40	41.48	25	10	25	25	12	40	25	12	55
9	53.30	46.42	30	10	25	30	12	40	30	12	55
10	58.30	51.37	35	10	25	35	12	40	35	16	55
11	63.20	56.34	37	12	30	39	16	40	39	16	55
12	68.20	61.34	42	12	30	44	16	40	44	16	55
13	73.20	66.32	47	12	30	49	16	40	49	16	55
14	78.20	71.34	52	12	30	54	16	40	54	16	55
15	83.20	76.36	57	12	30	59	16	40	59	16	55
16	88.30	81.37	60	12	30	64	16	45	64	16	60
17	93.30	86.39	60	12	30	69	16	45	69	16	60
18	98.30	91.42	70	14	30	74	16	45	74	16	60
19	103.30	96.45	70	14	30	79	16	45	79	16	60
20	108.40	101.49	75	14	30	84	16	45	84	16	60
21	113.40	106.52	75	16	30	85	16	45	85	20	60
22	118.40	111.55	80	16	30	90	16	45	90	20	60
23	123.50	116.58	80	16	30	95	16	45	95	20	60
24	128.50	121.62	80	16	30	100	16	45	100	20	60
25	133.60	126.66	80	16	30	105	16	45	105	20	60
26	138.60	131.70	85	20	35	110	20	45	110	20	60
27	143.60	136.75	85	20	35	110	20	45	110	20	60
28	148.70	141.78	90	20	35	115	20	45	115	20	60
29	153.70	146.83	90	20	35	115	20	45	115	20	60
30	158.80	151.87	90	20	35	120	20	45	120	20	60
31	163.80	156.92	95	20	35	120	20	45	120	20	60
32	168.90	161.95	95	20	35	120	20	45	120	20	60
33	173.90	167.00	95	20	35	120	20	45	120	20	60
34	178.90	172.05	95	20	35	120	20	45	120	20	60
35	184.00	177.10	95	20	35	120	20	45	120	20	60
36	189.00	182.15	100	20	35	120	20	45	120	25	60
37	194.10	187.20	100	20	35	120	20	45	120	25	60
38	199.10	192.24	100	20	35	120	20	45	120	25	60
39	204.20	197.29	100	20	35	120	20	45	120	25	60
40	209.20	202.34	100	20	35	120	20	45	120	25	60
42	220.80	212.44	108	20	43	120	25	59	136	25	74
45	236.00	227.58	108	20	43	120	25	59	136	25	74
46	241.00	236.63	108	20	43	120	25	59			
48	251.10	242.73	108	20	43	120	25	59			
50	261.20	252.82	108	20	43	120	25	59	136	25	74
55	286.50	278.08	108	20	43						
57	296.60	288.18	108	25	43	120	25	59	136	25	74
60	311.70	303.32	108	25	43	120	25	59	136	25	74
76	392.50	384.16	108	25	43	120	25	59	145	30	75
95	488.50	480.14	118	30	59	145	30	59	145	30	75

# Stock Sprockets

FOR ROLLER CHAIN DIN8187-ISO/R 606

**10B**  
5/8"X3/8"



Pinions		mm
Tooth radius	r <sub>3</sub>	16
Radius Width	C	1.6
Tooth Width	B <sub>1</sub>	9.1
Tooth Width	b <sub>1</sub>	9
Tooth Width	B <sub>2</sub>	25.5
Tooth Width	B <sub>3</sub>	42.1

**ROLLER-Ø10.16mm**

## PITCH-15.875mm

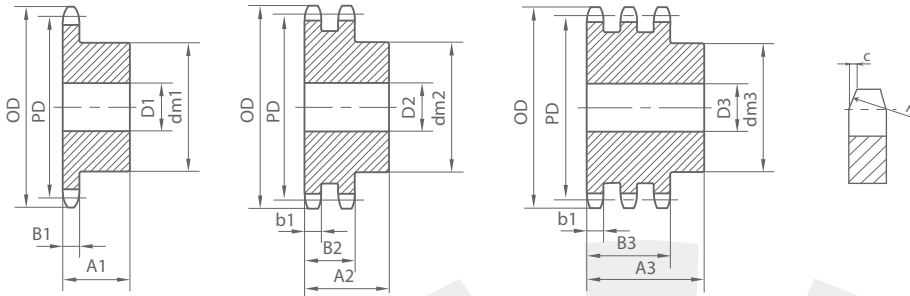
Z	OD	PD	SIMPLEX	DUPLEX	TRIPEX	Z	OD	PD	SIMPLEX	DUPLEX	TRIPEX
			D1	D2	D3				D1	D2	D3
8	48.40	41.48	10	10	12	48	251.10	242.73	20	25	25
9	53.30	46.42	10	10	12	49	256.20	247.78	20		
10	58.30	51.37	10			50	261.20	252.82	20	25	25
11	63.20	56.34	10	10		51	266.30	257.87	20		
12	68.20	61.34	10	10	12	52	271.30	262.92	20	25	25
13	73.20	66.32	10	10	12	53	276.40	267.97	20	25	
14	78.20	71.34	12	10	12	54	281.40	273.03	20	25	
15	83.20	76.36	12	12	12	55	286.50	278.08	20	25	25
16	88.30	81.37	12	12	16	56	291.50	283.13	25	25	
17	93.30	86.39	12	12	16	57	296.60	288.18	25	25	25
18	98.30	91.42	12	12	16	58	301.60	293.23	25	25	
19	103.30	96.45	12	12	16	59	306.70	298.27			
20	108.40	101.49	12	12	16	60	311.70	303.32	25	25	25
21	113.40	106.52	12	16	16	62	321.80	313.43	25	25	
22	118.40	111.55	12	16	16	64	331.90	323.53	25		30
23	123.50	116.58	12	16	16	65	337.00	328.58	25	25	30
24	128.50	121.62	12	16	16	66	342.00	333.63		25	
25	133.60	126.66	12	16	16	68	352.10	343.74	25		
26	138.60	131.70	16	20	20	70	362.20	353.84	25	25	30
27	143.60	136.75	16	20	20	72	372.30	363.95	25	25	
28	148.70	141.78	16	20	20	75	387.50	379.09	25	25	30
29	153.70	146.83	16	20	20	76	392.50	384.16	25	25	30
30	158.80	151.87	16	20	20	78	402.60	394.25	25		
31	163.80	156.92	16	20		80	412.70	404.35	25	25	30
32	168.90	161.95	16	20	20	85	438.00	429.62	30	30	
33	173.90	167.00	16	20	20	90	463.30	454.88	30	30	30
34	178.90	172.05	16	20	20	95	488.50	480.14	30	30	30
35	184.00	177.10	16	20	20	100	513.80	505.40	30	30	
36	189.00	182.15	20	20	25	110	564.30	555.92	30		
37	194.10	187.20	20	20	25	114	584.50	576.13	30	30	30
38	199.10	192.24	20	20	25	120	614.80	606.44	30	30	
39	204.20	197.29	20	20	25	125	640.10	631.71	30	30	30
40	209.20	202.34	20	20	25						
41	215.80	207.39	20		25						
42	220.80	212.44	20	25	25						
43	225.90	217.49	20	25							
44	230.90	222.53	20	25	25						
45	236.00	227.58	20	25	25						
46	241.00	236.63	20	25	25						
47	246.10	237.68	20	25							

# Stock Sprockets

FOR ROLLER CHAINS DIN8187-ISO/R 606

## 12B

3/4"X7/16"



Pinions		mm
Tooth radius	r <sub>3</sub>	19
Radius Width	C	2
Tooth Width	B <sub>1</sub>	11.1
Tooth Width	b <sub>1</sub>	10.8
Tooth Width	B <sub>2</sub>	30.3
Tooth Width	B <sub>3</sub>	49.8

**ROLLER-φ12.07mm**

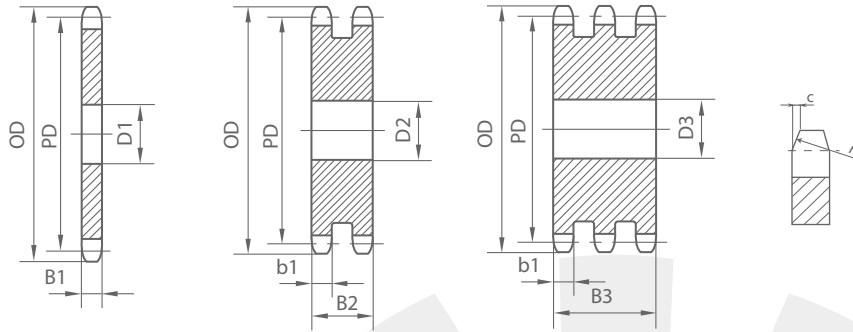
## PITCH-19.05mm

Z	OD	PD	SIMPLEX			DUPLEX			TRIPLEX		
			dm1	D1	A1	dm2	D2	A2	dm3	D3	A3
8	58.00	49.78	31	12	30	31	12	45	31	16	65
9	63.90	55.70	37	12	30	37	12	45	37	16	65
10	69.80	61.64	42	12	30	42	12	45	42	16	65
11	75.80	67.61	46	16	35	47	16	50	47	20	70
12	81.80	73.60	52	16	35	53	16	50	53	20	70
13	87.80	79.59	58	16	35	59	16	50	59	20	70
14	93.80	85.61	64	16	35	65	16	50	65	20	70
15	99.80	91.63	70	16	35	71	16	50	71	20	70
16	105.80	97.65	75	16	35	77	20	50	77	20	70
17	111.90	103.67	80	16	35	83	20	50	83	20	70
18	117.90	109.71	80	16	35	89	20	50	89	20	70
19	123.90	115.75	80	16	35	95	20	50	95	20	70
20	130.00	121.78	80	16	35	100	20	50	100	20	70
21	136.00	127.82	90	20	40	100	20	50	100	20	70
22	142.00	133.86	90	20	40	100	20	50	100	20	70
23	148.10	139.90	90	20	40	110	20	50	110	20	70
24	154.10	145.94	90	20	40	110	20	50	110	20	70
25	160.20	152.00	90	20	40	120	20	50	120	20	70
26	166.20	158.04	95	20	40	120	20	50	120	20	70
27	172.30	164.09	95	20	40	120	20	50	120	20	70
28	178.30	170.13	95	20	40	120	20	50	120	20	70
29	184.40	176.19	95	20	40	120	20	50	120	20	70
30	190.40	182.25	95	20	40	120	20	50	120	20	70
31	196.50	188.31	95	20	40	120	20	50	130	25	70
32	202.50	194.35	95	20	40	120	20	50	130	25	70
33	208.60	200.40	95	20	40	120	20	50	130	25	70
34	214.60	206.46	95	20	40	120	20	50	130	25	70
35	220.70	212.52	95	20	40	120	20	50	130	25	70
36	226.80	218.58	100	20	40	120	25	50	130	25	70
37	232.80	224.64	100	20	40	120	25	50	130	25	70
38	238.90	230.69	100	20	40	120	25	50	130	25	70
39	244.90	236.75	100	20	40	120	25	50	130	25	70
40	251.00	242.81	100	20	40	120	25	50	130	25	70
42	265.00	254.93	118	25	61	136	25	62	140		72
45	283.20	273.10	118	25	61	136	25	62	140	25	72
46	289.20	279.16	118	25	61	136	25	62			
48	301.40	291.27	118	25	61	136	25	62			
50	313.50	303.39	118	25	61	136	25	62	140	25	72
55	343.80	333.70	118	25	61				140	25	75
57	355.90	345.81	118	25	61	136	25	62	140	30	75
60	374.10	363.99	118	25	61	136	25	62	140	30	75
76	471.10	460.99	118	30	61	145	30	63	150	30	75
95	586.20	576.17	133	30	62	145	30	63	150	30	75

# Stock Sprockets

FOR ROLLER CHAINS DIN8187-ISO/R 606

**12B**  
3/4"X7/16"



Pinions		mm
Tooth radius	r <sub>3</sub>	19
Radius Width	C	2
Tooth Width	B <sub>1</sub>	11.1
Tooth Width	b <sub>1</sub>	10.8
Tooth Width	B <sub>2</sub>	30.3
Tooth Width	B <sub>3</sub>	49.8
<b>ROLLER-Ø12.07mm</b>		

## PITCH-19.05mm

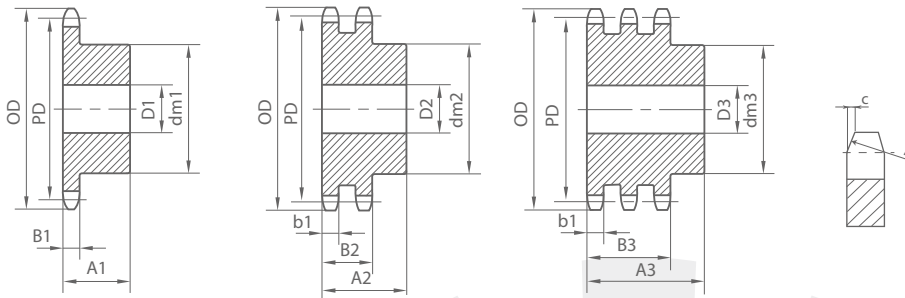
Z	OD	PD	SIMPLEX	DUPLEX	TRIPLEX	Z	OD	PD	SIMPLEX	DUPLEX	TRIPLEX
			D1	D2	D3				D1	D2	D3
8	58.00	49.78	10	12		48	301.40	291.27	25	25	25
9	63.90	55.70	10		12	49	307.40	297.33	25		
10	69.80	61.64	10			50	313.50	303.39	25	25	25
11	75.80	67.61	12	12	16	51	319.50	309.45	25		
12	81.80	73.50	14	14	16	52	325.60	315.50	25	25	25
13	87.80	79.59	14	14	16	53	331.60	321.56	25		
14	93.80	85.61	14	16	16	54	337.70	327.64	25	25	25
15	99.80	91.63	14	16	16	55	343.80	333.70	25	25	25
16	105.80	97.65	14	16	20	56	349.80	339.75	25	25	
17	111.90	103.67	14	16	20	57	355.90	345.81	25	25	30
18	117.90	109.71	14	16	20	58	362.00	351.87	25	25	
19	123.90	115.75	14	16	20	59	368.00	357.93			
20	130.00	121.78	14	16	20	60	374.10	363.99	25	25	30
21	136.00	127.82	16	20	20	62	386.20	376.12	25		
22	142.00	133.86	16	20	20	64	398.30	388.24	25	30	
23	148.10	139.90	16	20	20	65	404.40	394.29	25	30	30
24	154.10	145.94	16	20	20	66	410.10	400.35			
25	160.20	152.00	16	20	20	68	422.60	412.49	30		
26	166.20	158.04	16	20	20	70	434.70	424.61	30	30	30
27	172.30	164.09	16	20	20	72	446.80	436.74	30	30	30
28	178.30	170.13	16	20	20	75	465.00	454.91	30	30	
29	184.40	176.19	16	20	20	76	471.10	460.99	30	30	30
30	190.40	182.25	16	20	20	78	483.20	473.10	30		
31	196.50	188.31	20	20	25	80	495.30	485.22	30	30	30
32	202.50	194.35	20	20	25	85	525.60	515.55	30	30	30
33	208.60	200.40	20	20	25	90	555.90	545.86	30	30	30
34	214.60	206.46	20	20	25	95	586.20	576.17	30	30	30
35	220.70	212.52	20	20	25	100	616.60	606.47	30	30	30
36	226.80	218.58	20	25	25	110	677.20	667.11	30		
37	232.80	224.64	20	25	25	114	701.40	691.36	30	30	30
38	238.90	230.69	20	25	25	120	737.80	727.74	30		30
39	244.90	236.75	20	25	25	125	768.10	758.05	30	30	30
40	251.00	242.81	20	25	25						
41	258.90	248.87	25	25							
42	265.00	254.93	25	25	25						
43	271.10	260.98	25	25	25						
44	277.10	267.03	25	25	25						
45	283.20	273.10	25	25	25						
46	289.20	279.16	25	25							
47	295.30	285.21	25	25	25						

# Stock Sprockets

FOR ROLLER CHAINS DIN8187-ISO/R 606

## 16B

1"X17.02mm



Pinions		mm
Tooth radius	r <sub>3</sub>	26
Radius Width	C	2.5
Tooth Width	B <sub>1</sub>	16.2
Tooth Width	b <sub>1</sub>	15.8
Tooth Width	B <sub>2</sub>	47.7
Tooth Width	B <sub>3</sub>	79.6

**ROLLER- $\phi$ 15.875mm**

## PITCH-25.40mm

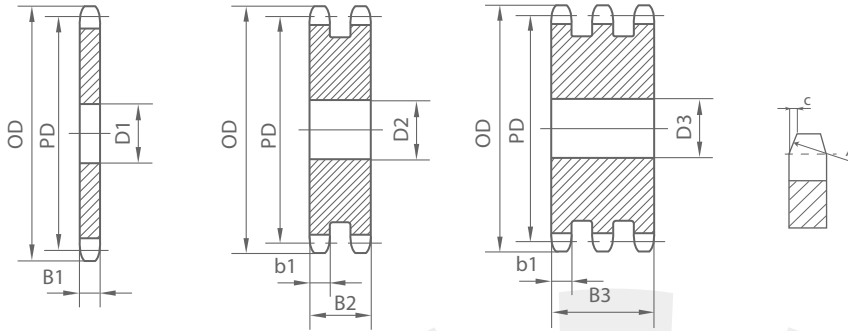
Z	OD	PD	SIMPLEX			DUPLEX			TRIPLEX		
			dm1	D1	A1	dm2	D2	A2	dm3	D3	A3
8	77.90	66.37	42	16	35	42	20	65	42	20	95
9	85.80	74.27	50	16	35	50	20	65	50	20	95
10	93.80	82.19	55	16	35	56	20	65	56	20	95
11	101.70	90.14	61	16	40	64	20	70	64	25	100
12	109.70	98.14	69	16	40	72	20	70	72	25	100
13	117.70	106.12	78	16	40	80	20	70	80	25	100
14	125.70	114.15	84	16	40	88	20	70	88	25	100
15	133.70	122.17	92	16	40	96	20	70	96	25	100
16	141.80	130.20	100	20	45	104	20	70	104	25	100
17	149.80	138.22	100	20	45	112	20	70	112	25	100
18	157.80	146.28	100	20	45	120	20	70	120	25	100
19	165.90	154.33	100	20	45	128	20	70	128	25	100
20	173.90	162.38	100	20	45	130	20	70	130	25	100
21	182.00	170.43	110	20	50	130	25	70	130	25	100
22	190.10	178.48	110	20	50	130	25	70	130	25	100
23	198.10	186.53	110	20	50	130	25	70	130	25	100
24	206.20	194.59	110	20	50	130	25	70	130	25	100
25	214.20	202.66	110	20	50	130	25	70	130	25	100
26	222.30	210.72	120	20	50	130	25	70	130	30	100
27	230.40	218.79	120	20	50	130	25	70	130	30	100
28	238.40	226.85	120	20	50	130	25	70	130	30	100
29	246.50	234.92	120	20	50	130	25	70	130	30	100
30	254.60	243.00	120	20	50	130	25	70	130	30	100
31	262.60	251.08	120	25	50	140	25	70	140	30	100
32	270.70	259.13	120	25	50	140	25	70	140	30	100
33	278.80	267.21	120	25	50	140	25	70	140	30	100
34	286.90	275.28	120	25	50	140	25	70	140	30	100
35	294.90	283.36	120	25	50	140	25	70	140	30	100
36	303.00	291.44	120	25	50	140	25	70	140	30	100
37	311.10	299.51	120	25	50	140	25	70	140	30	100
38	319.20	307.59	120	25	50	140	25	70	140	30	100
39	327.20	315.67	120	25	50	140	25	70	140	30	100
40	335.30	323.73	120	25	50	140	25	70	140	30	100
42	353.70	339.90	133	25	68	140	25	70	160	30	110
45	377.90	364.12	133	25	68	140	25	70	160	30	110
46	386.00	372.21	133	25	68	140	25	70			
48	402.10	388.36	133	25	68	140	25	70			
50	418.30	404.52	133	25	68	140	25	70	160	30	110
57	474.90	461.07	133	30	68	160	40	82	180	40	112
60	499.10	485.32	133	30	68	160	40	82			
76	628.40	614.65	145	30	68	160	40	82	180	40	112
95	782.00	768.22	160	30	78	180	40	109	180	40	112

# Stock Sprockets

FOR ROLLER CHAINS DIN8187-ISO/R 606

## 16B

1"X17.02mm



Pinions		mm
Tooth radius	r <sub>3</sub>	26
Radius Width	C	2.5
Tooth Width	B <sub>1</sub>	16.2
Tooth Width	b <sub>1</sub>	15.8
Tooth Width	B <sub>2</sub>	47.7
Tooth Width	B <sub>3</sub>	79.6

**ROLLER- $\phi$ 15.875mm**

## PITCH-25.40mm

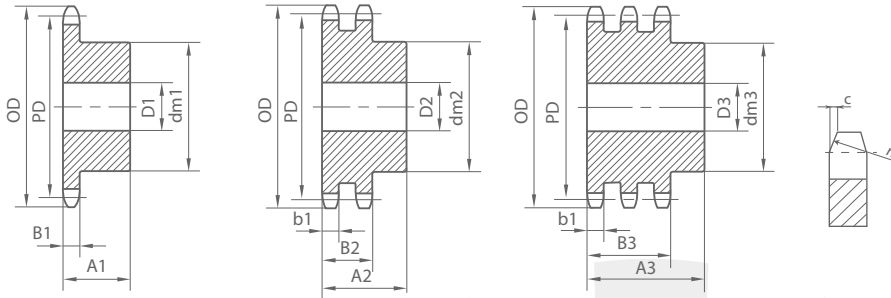
Z	OD	PD	SIMPLEX	DUPLEX	TRIPLEX	Z	OD	PD	SIMPLEX	DUPLEX	TRIPLEX
			D1	D2	D3				D1	D2	D3
8	77.90	66.37	16	16	16	48	402.10	388.36	25	25	30
9	85.80	74.27	16	16	16	49	410.20	396.44	25		
10	93.80	82.19	16	16	16	50	418.30	404.52	25	25	30
11	101.70	90.14	16	20	20	51	426.40	412.60	30		
12	109.70	98.14	16	20	20	52	434.50	420.67	30	30	40
13	117.70	106.12	16	20	20	53	442.50	428.75	30		
14	125.70	114.15	16	20	20	54	450.60	436.85	30		
15	133.70	122.17	16	20	20	55	458.70	444.93	30	30	40
16	141.80	130.20	20	20	25	56	466.80	453.01	30	40	
17	149.80	138.22	20	20	25	57	474.90	461.07	30	40	40
18	157.80	146.28	20	20	25	58	482.90	469.16	30		
19	165.90	154.33	20	20	25	59	491.00	477.24			
20	173.90	162.38	20	20	25	60	499.10	485.32	30	40	40
21	182.00	170.43	20	25	25	62	515.30	501.50	30	40	
22	190.10	178.48	20	25	25	64	531.40	517.65	30		
23	198.10	186.53	20	25	25	65	539.50	525.73	30	40	40
24	206.20	194.59	20	25	25	66	547.60	533.80			
25	214.20	202.66	20	25	25	68	563.80	549.98	30	40	
26	222.30	210.72	20	25	30	70	579.90	566.14	30	40	40
27	230.40	218.79	20	25	30	72	596.10	582.32	30	40	40
28	238.40	226.85	20	25	30	75	620.30	606.55	30	40	
29	246.50	234.92	20	25	30	76	628.40	614.65	30	40	40
30	254.60	243.00	20	25	30	78	644.60	630.80	30		
31	262.60	251.08	25	25	30	80	660.70	646.96	30	40	40
32	270.70	259.13	25	25	30	85	701.20	687.40	30	40	40
33	278.80	267.21	25	25	30	90	741.60	727.81	30	40	40
34	286.90	275.28	25	25	30	95	782.00	768.22	30	40	40
35	294.90	283.36	25	25	30	100	822.40	808.63	30	40	
36	303.00	291.44	25	25	30	110	903.30	889.48	30		
37	311.10	299.51	25	25		114	935.60	921.82	30	40	40
38	319.20	307.59	25	25	30	120	984.10	970.33	30		
39	327.20	315.67	25	25		125	1024.5	1010.73	30	40	40
40	335.30	323.73	25	25	30						
41	345.60	331.82	25								
42	353.70	339.90	25	25	30						
43	361.70	347.98	25								
44	369.80	356.06	25	25	30						
45	377.90	364.12	25	25	30						
46	386.00	372.21	25	25	30						
47	394.10	380.29	25								

# Stock Sprockets

FOR ROLLER CHAINS DIN8187-ISO/R 606

## 20B

1 1/4" X 3/4"



Pinions		mm
Tooth radius	$r_3$	32
Radius Width	C	3.5
Tooth Width	$B_1$	18.5
Tooth Width	$b_1$	18.2
Tooth Width	$B_2$	54.6
Tooth Width	$B_3$	91

**ROLLER- $\phi$ 19.05mm**

## PITCH-31.75mm

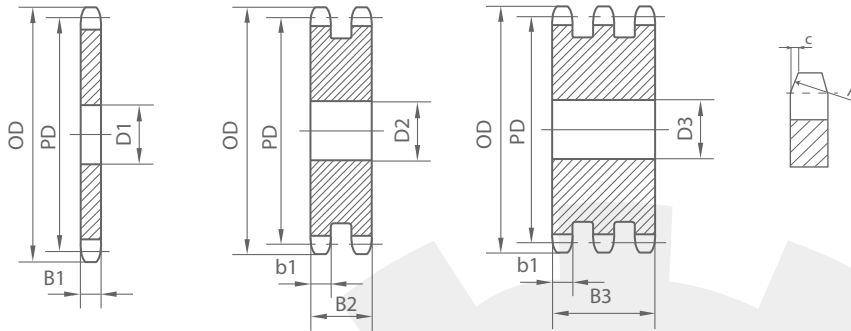
Z	OD	PD	SIMPLEX			DUPLEX			TRIPLEX		
			dm1	D1	A1	dm2	D2	A2	dm3	D3	A3
8	96.00	82.96	53	20	40	53	20	75	53	25	110
9	106.50	92.84	63	20	40	63	20	75	63	25	110
10	117.00	102.74	70	20	40	70	20	75	70	25	110
11	127.00	112.68	77	20	45	80	25	80	80	30	115
12	137.00	122.68	88	20	45	90	25	80	90	30	115
13	147.50	132.65	98	20	45	100	25	80	100	30	115
14	157.60	142.68	108	20	45	110	25	80	110	30	115
15	167.70	152.72	118	20	45	120	25	80	120	30	115
16	177.70	162.75	120	25	50	120	30	80	120	30	115
17	187.70	172.78	120	25	50	120	30	80	120	30	115
18	197.80	182.85	120	25	50	120	30	80	120	30	115
19	207.90	192.91	120	25	50	120	30	80	120	30	115
20	217.90	202.98	120	25	50	120	30	80	120	30	115
21	228.00	213.04	140	25	55	140	30	80	140	30	115
22	238.10	223.11	140	25	55	140	30	80	140	30	115
23	248.20	233.17	140	25	55	140	30	80	140	30	115
24	258.30	243.23	140	25	55	140	30	80	140	30	115
25	268.40	253.33	140	25	55	140	30	80	140	30	115
26	278.40	263.40	150	30	55	150	30	80	150	30	115
27	288.50	273.48	150	30	55	150	30	80	150	30	115
28	298.50	283.56	150	30	55	150	30	80	150	30	115
29	308.60	293.65	150	30	55	150	30	80			
30	318.70	303.75	150	30	55	150	30	80	150	30	115
31	328.80	313.85	150	30	55	150	30	80			
32	338.90	323.91	150	30	55	150	30	80	150	30	115
33	349.00	334.01	150	30	55						
34	359.10	344.10	150	30	55	150	30	80	150	30	115
35	369.20	354.20	150	30	55	150	30	80	150	30	115
36	379.20	364.30	150	30	55	150	30	80	150	30	115
37	389.30	374.39	150	30	55						
38	399.40	384.49	150	30	55	150	30	80	150	30	115
39	409.50	394.59	150	30	55						
40	419.60	404.66	150	30	55	150	30	80	150	30	115
45	471.10	455.17	160	30	80	160	30	101	160	40	121
46	481.20	465.26	160	30	80	160	30	101	160	40	121
50	521.60	505.65	160	30	80	160	30	101	160	40	121
57	592.30	576.36	160	30	80	180	40	116	200	40	123
76	784.30	768.32	160	30	80	180	40	116	200	40	123
95	976.20	960.28	168	30	93	200	40	116	200*	30*	140*

# Stock Sprockets

FOR ROLLER CHAINS DIN8187-ISO/R 606

## 20B

1 1/4"X3/4"



Pinions		mm
Tooth radius	r <sub>3</sub>	32
Radius Width	C	3.5
Tooth Width	B <sub>1</sub>	18.5
Tooth Width	b <sub>1</sub>	18.2
Tooth Width	B <sub>2</sub>	54.6
Tooth Width	B <sub>3</sub>	91

**ROLLER-Ø19.05mm**

## PITCH-31.75mm

Z	OD	PD	SIMPLEX	DUPLEX	TRIPLEX	Z	OD	PD	SIMPLEX	DUPLEX	TRIPLEX
			D1	D2	D3				D1	D2	D3
8	96.0	82.96	16	20	20	43	450.9	434.97	30		
9	106.5	92.84	16	20	20	44	461.0	445.07	30		
10	117.0	102.74	16	20	20	45	471.1	455.17	30	30	40
11	127.0	112.68	20	20	25	46	481.2	465.26	30	30	
12	137.0	122.68	20	20	25	47	491.3	475.36			
13	147.5	132.65	20	20	25	48	501.4	485.46	30	30	
14	157.6	142.68	20	20	25	49	511.5	495.55			
15	167.7	152.72	20	20	25	50	521.6	505.65	30	30	40
16	177.7	162.75	20	30	30	51	531.7	515.75			
17	187.7	172.78	20	30	30	52	541.8	525.84	30	40	
18	197.8	182.85	20	30	30	53	551.9	535.94			
19	207.9	192.91	20	30	30	54	562.0	546.07	30		40*
20	217.9	202.98	20	30	30	55	572.1	556.16	30		40
21	228.0	213.04	25	30	30	56	582.2	566.26	30		
22	238.1	223.11	25	30	30	57	592.3	576.36	30	40	40
23	248.2	233.17	25	30	30	58	602.4	586.45	30		
24	258.3	243.23	25	30	30	59	612.5	596.55			
25	268.4	253.33	25	30	30	60	622.6	606.65	30	40	40
26	278.4	263.40	30	30	30	62	642.8	626.87			
27	288.5	273.48	30	30	30	64	663.0	647.06	30		
28	298.5	283.56	30	30	30	65	673.1	657.16	30	40	40
29	308.6	293.65	30	30		66	683.2	667.26			
30	318.7	303.75	30	30	30	68	703.4	687.48			
31	328.8	313.85	30	30		70	723.6	707.67	30	40	40
32	338.9	323.91	30	30	30	72	743.8	727.90			
33	349.0	334.01	30			75	774.2	758.19	30		
34	359.1	344.10	30	30	30	76	784.3	768.32	30	40	40
35	369.2	354.20	30	30	30	80	824.7	808.72	30	40	
36	379.2	364.30	30	30	30	85	875.2	859.25	30	40*	
37	389.3	374.39	30			90	925.7	909.76	30		
38	399.4	384.49	30	30	30	95	976.2	960.28	30	40	
39	409.5	394.59	30			100	1026.7	1010.79	40		
40	419.6	404.66	30	30	30	114	1168.2	1152.26	40	40	40
41	430.7	414.78	30								
42	440.8	424.88	30	30							

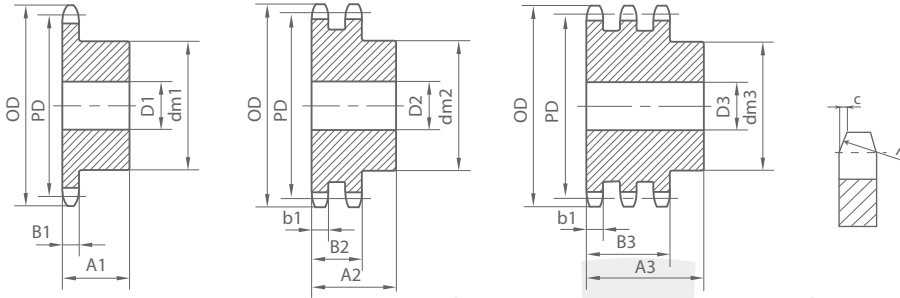


# Stock Sprockets

FOR ROLLER CHAINS DIN8187-ISO/R 606

## 24B

1 1/2"X1"



Pinions		mm
Tooth radius	r <sub>3</sub>	38
Radius Width	C	4
Tooth Width	B <sub>1</sub>	24.1
Tooth Width	b <sub>1</sub>	23.6
Tooth Width	B <sub>2</sub>	72
Tooth Width	B <sub>3</sub>	120.3
<b>ROLLER-Ø25.40mm</b>		

## PITCH-38.10mm

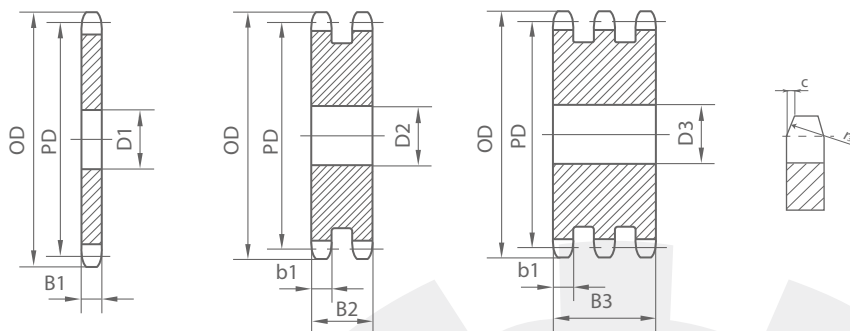
Z	OD	PD	SIMPLEX			DUPLEX			TRIPLEX		
			dm1	D1	A1	dm2	D2	A2	dm3	D3	A3
8	113.0	99.55	58	20	45	58	25	95	58	25	140
9	125.0	111.40	70	20	45	70	25	95	70	25	140
10	137.0	123.29	80	20	45	80	25	95	80	25	140
11	149.0	135.21	90	25	50	90	25	100	90	30	150
12	161.0	147.22	102	25	50	102	25	100	102	30	150
13	173.0	159.18	114	25	50	114	25	100	114	30	150
14	185.0	171.22	128	25	50	128	25	100	128	30	150
15	197.0	183.26	132	25	50	132	25	100	132	30	150
16	209.0	195.30	136	25	55	136	30	100	136	30	150
17	221.0	207.34	136	25	55	136	30	100	136	30	150
18	233.0	219.42	136	25	55	160	30	100	160	30	150
19	245.5	231.49	136	25	55	160	30	100	160	30	150
20	257.5	243.57	136	25	55	160	30	100	160	30	150
21	270.5	255.65	150	30	60	160	30	100	160	40	150
22	282.5	267.73	150	30	60	160	30	100	160	40	150
23	294.5	279.80	150	30	60	160	30	100	160	40	150
24	307.0	291.88	150	30	60	160	30	100	160	40	150
25	319.0	304.00	150	30	60	160	30	100	160	40	150
26	331.0	316.08	150	30	60	160	30	100	160	40	150
27	343.0	328.19	150	30	60	160	30	100	160	40	150
28	355.0	340.27	150	30	60	160	30	100	160	40	150
29	367.5	352.38	150	30	60	160	30	100			
30	379.5	364.50	150	30	60	160	30	100	160	40	150
31	391.5	376.62	150	30	60	160	40	100			
32	403.5	388.69	150	30	60	160	40	100	160	40	150
33	415.5	400.81	150	30	60	160	40	100			
34	428.0	412.83	150	30	60	160	40	100			
35	440.0	425.04	150	30	60	160	40	100	160	40	150
36	452.0	437.16	150	30	60	160	40	100			
37	464.0	449.27	150	30	60	160	40	100			
38	476.5	461.39	150	30	60	160	40	100	160	40	150
39	488.5	473.50									
40	501.5	485.62	150	30	60	160	40	100	160	40	150
45	562.0	546.20	168	30	99	180	40	133	200	40	153
46	574.0	558.82	168	30	99	180*	40*	100*	200*		
50	622.5	606.78	168	30	99	180	40	133	200	40	153
57	707.5	691.63	168	30	99	180	40	133	200	40	153
76	939.0	921.98	178	40	118	200	40	133	220	40	155
95	1169.0	1152.33	178	40	118	220*	40*	120*	250*	40*	

# Stock Sprockets

FOR ROLLER CHAINS DIN8187-ISO/R 606

## 24B

1 1/2"X1"



Pinions		mm
Tooth radius	r <sub>3</sub>	38
Radius Width	C	4
Tooth Width	B <sub>1</sub>	24.1
Tooth Width	b <sub>1</sub>	23.6
Tooth Width	B <sub>2</sub>	72
Tooth Width	B <sub>3</sub>	120.3
<b>ROLLER-φ25.40mm</b>		

## PITCH-38.10mm

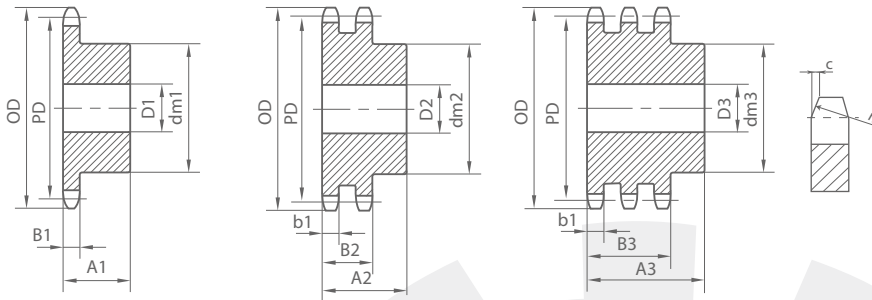
Z	OD	PD	SIMPLEX	DUPLEX	TRIPLEX	Z	OD	PD	SIMPLEX	DUPLEX	TRIPLEX
			D1	D2	D3				D1	D2	D3
8	113.0	99.55	20	25	25	43	538.0	521.97			
9	125.0	111.40	20	25	25	44	550.0	534.08			
10	137.0	123.29	20	25	25	45	562.0	546.20	30	40	40
11	149.0	135.21	25	25	30	46	574.0	558.32	30		
12	161.0	147.22	25	25	30	47	586.5	570.43			
13	173.0	159.18	25	25	30	48	598.5	582.55	30	40	40
14	185.0	171.22	25	25	30	49	610.5	594.66			
15	197.0	183.26	25	25	30	50	622.5	606.78	30	40	40
16	209.0	195.30	25	30	30	51	635.0	618.89			
17	221.0	207.34	25	30	30	52	647.0	631.01	30		
18	233.0	219.42	25	30	30	53	659.0	643.13			
19	245.5	231.49	25	30	30	54	671.0	655.25	30		
20	257.5	243.57	25	30	30	55	683.5	667.40	30		
21	270.5	255.65	30	30	40	56	695.5	679.50	30		
22	282.5	267.73	30	30	40	57	707.5	691.63	30	40	40
23	294.5	279.80	30	30	40	58	719.5	703.74			
24	307.0	291.88	30	30	40	59	731.5	715.86			
25	319.0	304.00	30	30	40	60	745.0	727.97	30	40	40
26	331.0	316.08	30	30	40	62	769.0	752.24	40		
27	343.0	328.19	30	30	40	64	793.5	776.48			
28	355.0	340.27	30	30	40	65	805.5	788.59	40	40	
29	367.5	352.38	30	30		66	817.5	800.71			
30	379.5	364.50	30	30	40	68	842.0	824.98			
31	391.5	376.62	30	40		70	866.0	849.21	40		
32	403.5	388.69	30	40	40	72	890.5	873.48			
33	415.5	400.81	30	40		75	926.5	909.83			
34	428.0	412.93	30	40		76	939.0	921.98	40	40	40
35	440.0	425.04	30	40	40	80	987.5	970.44	40		
36	452.0	437.16	30	40		85	1048.0	1031.10	40		
37	464.0	449.27	30	40		95	1169.0	1152.33	40	40	
38	476.5	461.39	30	40	40						
39	488.5	473.50									
40	501.5	485.62	30	40	40						
41	513.5	497.74	30								
42	525.5	509.85	30	40							

# Stock Sprockets

FOR ROLLER CHAINS DIN8187-ISO/R 606

## 28B

1 3/4" X 1 1/4"



Pinions		mm
Tooth radius	r <sub>3</sub>	44
Radius Width	C	5
Tooth Width	B <sub>1</sub>	29.4
Tooth Width	b <sub>1</sub>	28.8
Tooth Width	B <sub>2</sub>	88.4
Tooth Width	B <sub>3</sub>	148
<b>ROLLER-<math>\phi</math>27.94mm</b>		

## PITCH-44.45mm

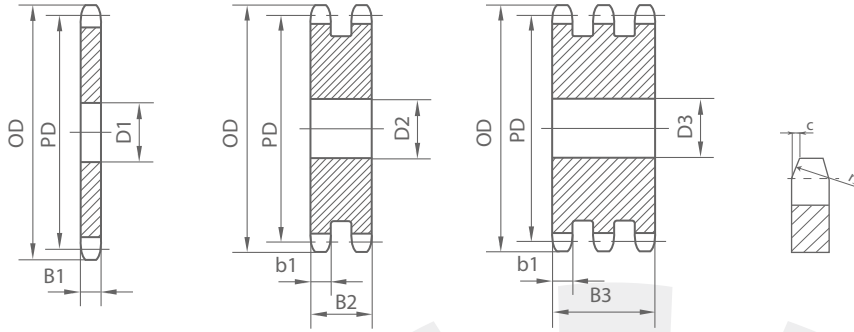
Z	OD	PD	S			D			T		
			dm1	D1	A1	dm2	D2	A2	dm3	D3	A3
8	132.0	116.15	74	25	70	74	30	120	74	30	180
9	146.0	129.96	88	25	70	88	30	120	88	30	180
10	160.0	143.85	100	25	70	100	30	120	100	30	180
11	174.0	157.77	112	25	70	112	30	120	112	30	180
12	188.0	171.74	125	25	70	125	30	120	125	30	180
13	204.0	185.75	125	25	70	125	30	120	125	30	180
14	218.0	199.76	125	25	70	125	30	120	125	30	180
15	232.0	213.79	125	25	70	145	30	120	145	30	180
16	246.0	227.84	160	30	75	160	30	120	160	30	180
17	260.0	241.90	160	30	75	160	30	120	160	30	180
18	274.0	255.98	160	30	75	160	30	120	160	30	180
19	289.0	270.06	160	30	75	180	30	120	180	30	180
20	303.0	284.15	160	30	75	180	30	120	180	30	180
21	317.0	298.24	160	30	75	180	30	120	180	40	180
22	331.0	312.34	160	30	75	180	30	120	180	40	180
23	345.0	326.44	160	30	75	180	30	120	180	40	180
24	359.0	340.55	160	30	75	180	30	120	180	40	180
25	373.0	354.66	160	30	75	180	30	120	180	40	180
26	387.0	368.77	160	30	75	180	40	120	180	40	180
27	401.0	382.88	160	30	75	180	40	120	180	40	180
28	416.0	397.00	160	30	75	180	40	120	180*	40*	180*
29	430.0	411.12	160	30	75	180	40	120	180	40	180
30	444.0	425.24	160	30	75	180	40	120	180	40	180
31	458.0	439.37	160	30	75	180	40	120	180	40	180
32	472.0	453.49	180	30	75	180	40	120	180	40	180
33	486.0	467.62	180	30	75	180	40	120	180	40	180
34	500.0	481.75	180	30	75	180	40	120	180	40	180
35	514.0	495.88	180	30	75	200	40	120	180	40	180
36	529.0	510.01	180	30	75	200	40	120	180	40	180
37	543.0	524.13	180	30	75	200	40	120	180	40	180
38	557.0	538.27	180	30	75	200	40	120	200	40	180
39	571.0	552.40	180	30	75	200	40	120	200	40	180
40	585.0	566.54	180	30	75	200	40	120	200	40	180
45	656.0	637.22	180	30	75	200	40	150	200	40	209
50	726.0	707.91	180	30	75	200	40	150	200*	40*	209*
57	825.0	806.90	180	40	90	200	40	150	200	40	209
76	1095.0	1075.62	180	40	90	200	40	150	238	40	217

# Stock Sprockets

FOR ROLLER CHAINS DIN8187-ISO/R 606

## 28B

13/4"X1 1/4"



Pinions		mm
Tooth radius	r <sub>3</sub>	44
Radius Width	C	5
Tooth Width	B <sub>1</sub>	29.4
Tooth Width	b <sub>1</sub>	28.8
Tooth Width	B <sub>2</sub>	88.4
Tooth Width	B <sub>3</sub>	148

**ROLLER-Ø27.94mm**

## PITCH-44.45mm

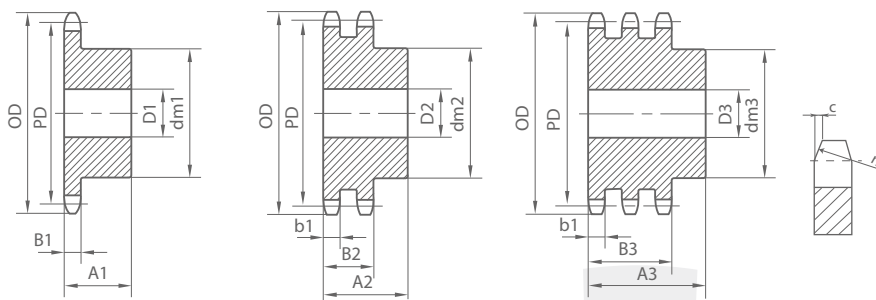
Z	OD	PD	SIMPLEX	DUPLEX	TRIPLEX
			D1	D2	D3
8	132.0	116.15	20	25	25
9	146.0	129.96	20	25	25
10	160.0	143.85	20	25	25
11	174.0	157.77	25	30	30
12	188.0	171.74	25	30	30
13	204.0	185.75	25	30	30
14	218.0	199.76	25	30	30
15	232.0	213.79	25	30	30
16	246.0	227.84	30	30	30
17	260.0	241.90	30	30	30
18	274.0	255.98	30	30	30
19	289.0	270.06	30	30	30
20	303.0	284.15	30	30	30
21	317.0	298.24	30	30	40
22	331.0	312.34	30	30	40
23	345.0	326.44	30	30	40
24	359.0	340.55	30		
25	373.0	354.66	30	30	40
26	387.0	368.77	30	40	
27	401.0	382.88	30		
28	416.0	397.00	30	40	
29	430.0	411.12			
30	444.0	425.24	30	40	40
31	458.0	439.37			
32	472.0	453.49	30		
33	486.0	467.62			
34	500.0	481.75	30		
35	514.0	495.88	30	40	
36	529.0	510.01	30		
37	543.0	524.13			
38	557.0	538.27	30	40	40
39	571.0	552.40			
40	585.0	566.54	30	40	40
45	656.0	637.22	30	40	40
50	726.0	707.91	30	40	40
57	825.0	806.90	40	40	40
60	869.0	849.32	40		
76	1095.0	1075.62	40	40	40

# Stock Sprockets

FOR ROLLER CHAINS DIN8187-ISO/R 606

## 32B

2"X1 1/4"



Pinions		mm
Tooth radius	r <sub>3</sub>	51
Radius Width	C	6
Tooth Width	B <sub>1</sub>	29.4
Tooth Width	b <sub>1</sub>	28.8
Tooth Width	B <sub>2</sub>	87.4
Tooth Width	B <sub>3</sub>	146
<b>ROLLER-Ø29.21mm</b>		

## PITCH-50.80mm

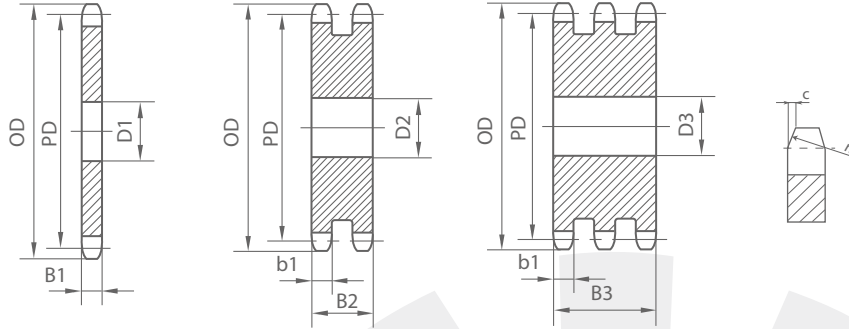
Z	OD	PD	S			D			T		
			dm1	D1	A1	dm2	D2	A2	dm3	D3	A3
8	152.0	132.74	85	30	80	85	30	120	85	30	180
9	168.0	148.54	100	30	80	100	30	120	100	30	180
10	184.0	164.39	115	30	80	115	30	120	115	30	180
11	200.0	181.31	125	30	80	125	35	120	125	35	180
12	216.0	196.29	133	30	80	133	35	120	133	35	180
13	235.0	212.29	145	30	80	145	35	120	145	35	180
14	251.0	228.29	145	30	80	145	35	120	145	35	180
15	267.0	244.30	145	30	80	160	35	120	160	35	180
16	283.0	260.40	160	30	90	160	40	120	160	40	180
17	299.0	276.46	160	30	90	180	40	120	200	40	180
18	315.0	292.55	160	30	90	180	40	120	200	40	180
19	331.0	308.66	160	30	90	200	40	120	200	40	180
20	347.0	324.71	180	40	90	200	40	120	200	40	180
21	363.0	340.82	180	40	90	200	40	120	200	40	180
22	379.0	356.98	180	40	90	200	40	120	200	40	180
23	396.0	373.08	180	40	90	200	40	120	200	40	180
24	412.0	389.18	180	40	90	200	40	120	200	40	180
25	428.0	405.33	180	40	90	200	40	120	200	40	180
26	444.0	421.44	180	40	90	200	40	120	200	40	180
27	460.0	437.59	180	40	90	200	40	120	200	40	180
28	476.0	453.69	180	40	90	200	40	120	200	40	180
29	492.0	469.85	180	40	90	200	40	120	200	40	180
30	508.0	486.00	180	40	90	200	40	120	200	40	180
31	525.0	502.13	200	40	90	200	40	120	200	40	180
32	541.0	518.27	200	40	90	200	40	120	200	40	180
33	557.0	534.42	200	40	90	200	40	120	200	40	180
34	573.0	550.56	200	40	90	200	40	120	200	40	180
35	589.0	566.71	200	40	90	200	40	120	200	40	180
36	605.0	582.86	200	40	90	200	40	120	200	40	180
37	622.0	599.01	200	40	90	200	40	120	200	40	180
38	638.0	615.16	200	40	90	200	40	120	200	40	180
39	654.0	631.31	200	40	90	200	40	120	200	40	180
40	670.0	647.47	200	40	90	200	40	120	200	40	180
45	751.0	728.24	218	40	123	218	40	123	220	40	207
50	832.0	809.04	218	40	123	218	40	123	220	40	207
57	945.0	922.16	218	40	123	218	40	123	220	40	207
76	1252.0	1229.27	218	40	123	218	40	123	238	40	216

# Stock Sprockets

FOR ROLLER CHAINS DIN8187-ISO/R 606

## 32B

2"X1 1/4"



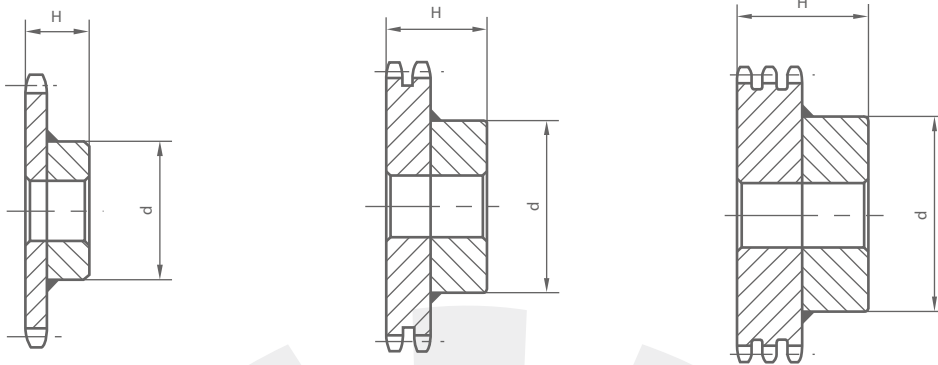
Pinions		mm
Tooth radius	$r_3$	51
Radius Width	C	6
Tooth Width	$B_1$	29.4
Tooth Width	$b_1$	28.8
Tooth Width	$B_2$	87.4
Tooth Width	$B_3$	146
<b>ROLLER-<math>\phi</math>29.21mm</b>		

## PITCH-50.80mm

Z	OD	PD	SIMPLEX	DUPLEX	TRIPLEX
			D1	D2	D3
8	152.0	132.74	25	25	25
9	168.0	148.54	25	25	25
10	184.0	164.39	25	25	25
11	200.0	180.31	30	35	35
12	216.0	196.29	30	35	35
13	235.0	212.29	30	35	35
14	251.0	228.29	30	35	35
15	267.0	244.30	30	35	35
16	283.0	260.40	30	40	40
17	299.0	276.46	30	40	40
18	315.0	292.55	30	40	40
19	331.0	308.66	30	40	40
20	347.0	324.71	40	40	40
21	363.0	340.82	40	40	40
22	379.0	356.98	40	40	40
23	396.0	373.08	40	40	40
24	412.0	389.18	40	40	40
25	428.0	405.33	40	40	40
26	444.0	421.44	40	40	40
27	460.0	437.59	40	40	40
28	476.0	453.69	40	40	40
29	492.0	469.85	40	40	40
30	508.0	486.00	40	40	40
32	541.0	518.27	40	40	40
35	589.0	566.71	40	40	40
38	638.0	615.16	40	40	40
40	670.0	647.47	40	40	40
45	751.0	728.24	40	40	40
50	832.0	809.04	40	40	40
57	945.0	922.16	40	40	40
60	993.0	970.65	40	40	40
76	1252.0	1229.27	40	40	40

# Stock Sprockets HUBS

FOR ROLLER CHAINS DIN8187-ISO/R 606



## Hub Dimension Welded with Simplex Sprocket

齿数Z	3/8"x7/32"	1/2"x5/16"	5/8"x3/8"	3/4"x87/16"	1"x17.02	1"1/4x3/4"	1"1/2x1"	1"3/4x1"1/4	2"x1"1/4
	dxH	dxH	dxH	dxH	dxH	dxH	dxH	dxH	dxH
41-50	78x35	88x42	108x43	118x61	133x68	160x80	168x99	180x75	218x123
51-62	78x35	88x42	108x43	118x61	133x68	160x80	168x99	180x90	218x123
63-80	78x35	88x42	108x43	118x61	145x68	160x80	178x118	180x90	218x123
81-100	88x40	108x42	118x59	133x62	160x78	168x93	178x118	180x90	-
101-125	88x40	108x42	118x59	145x62	160x78	178x112	-	-	-

## Hub Dimension Welded with Duplex Sprocket

齿数Z	3/8"x7/32"	1/2"x5/16"	5/8"x3/8"	3/4"x87/16"	1"x17.02	1"1/4x3/4"	1"1/2x1"	1"3/4x1"1/4	2"x1"1/4
	dxH	dxH	dxH	dxH	dxH	dxH	dxH	dxH	dxH
41-50	88x50	108x55	120x59	136x62	140x70	160x101	180x133	200x150	218x123
51-62	88x50	108x55	120x59	136x62	160x82	180x116	180x133	200x150	218x123
63-80	88x50	108x55	120x59	145x63	160x82	180x116	200x133	200x150	218x123
81-100	108x50	120x55	145x59	145x63	180x109	200x116	200x133	200x150	-
101-125	108x50	120x55	145x59	150x67	180x109	200x116	-	-	-

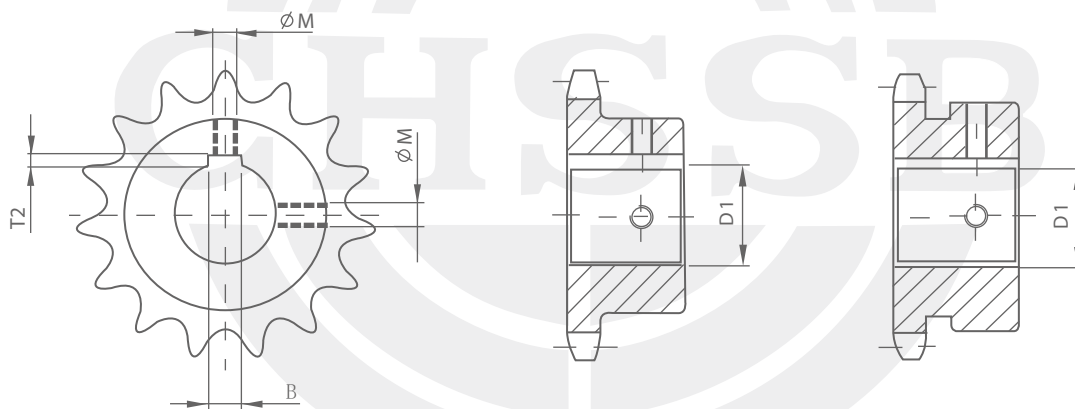
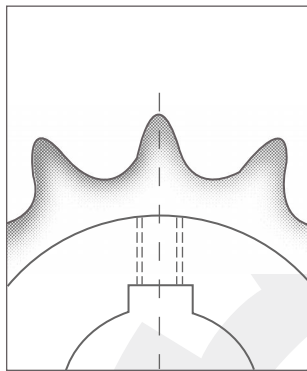
## Hub Dimension Welded with Triplex Sprocket

齿数Z	3/8"x7/32"	1/2"x5/16"	5/8"x3/8"	3/4"x87/16"	1"x17.02	1"1/4x3/4"	1"1/2x1"	1"3/4x1"1/4	2"x1"1/4
	dxH	dxH	dxH	dxH	dxH	dxH	dxH	dxH	dxH
41-50	88x60	120x68	136x74	140x72	160x110	160x121	200x153	200x209	220x207
51-62	88x60	120x68	136x74	140x75	180x112	200x123	200x153	200x209	220x207
63-80	88x60	120x68	145x75	150x75	180x112	200x123	220x155	238x217	238x216
81-100	120x60	136x68	145x75	150x75	180x112	200x123	220x155	238x217	-
101-125	120x60	136x68	145x75	160x80	200x112	220x128	-	-	-

# **F<sub>B</sub>**<sup>inished</sup> **ore** **Sprockets**

## FOR ROLLER CHAINS DIN8187-ISO/R 606

Teeth:inductioned hardness(HRc 45-55)  
Final bore tolerance H7;Roughness value RA 1,6  
Keyway to DIN 6885/BS 4235, is located on center line of tooth  
Two grub screw holes



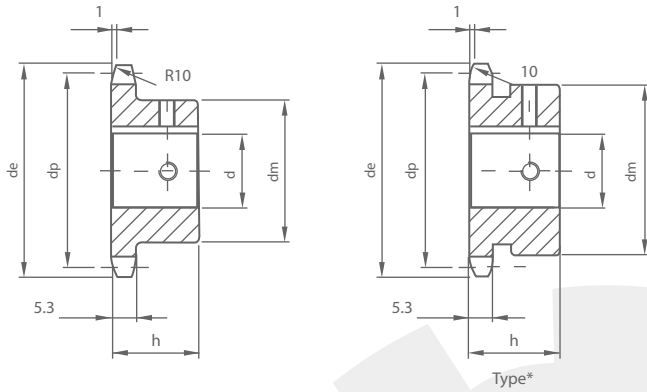
bore dia. D1	width of keyway B	height of keyway T2	tap hole dia. ØM
Ø10 H7 +0,015 -0	3 H9 +0,025 -0	1,4 +0,10 -0	M4
Ø12 H7 +0,018 -0	4 H9 +0,030 -0	1,8 +0,10 -0	M4
Ø14 H7 +0,018 -0	5 H9 +0,030 -0	2,3 +0,10 -0	M4
Ø15 H7 +0,018 -0	5 H9 +0,030 -0	2,3 +0,10 -0	M4
Ø16 H7 +0,018 -0	5 H9 +0,030 -0	2,3 +0,10 -0	M4
Ø18 H7 +0,018 -0	6 H9 +0,030 -0	2,8 +0,10 -0	M5
Ø19 H7 +0,021 -0	6 H9 +0,030 -0	2,8 +0,10 -0	M5
Ø20 H7 +0,021 -0	6 H9 +0,030 -0	2,8 +0,10 -0	M5
Ø22 H7 +0,021 -0	6 H9 +0,030 -0	2,8 +0,10 -0	M5
Ø24 H7 +0,021 -0	8 H9 +0,036 -0	3,3 +0,20 -0	M6
Ø25 H7 +0,021 -0	8 H9 +0,036 -0	3,3 +0,20 -0	M6

bore dia. D1	width of keyway B	height of keyway T2	tap hole dia. ØM
Ø28 H7 +0,021 -0	8 H9 +0,036 -0	3,3 +0,20 -0	M6
Ø30 H7 +0,021 -0	8 H9 +0,036 -0	3,3 +0,20 -0	M6
Ø32 H7 +0,025 -0	10 H9 +0,036 -0	3,3 +0,20 -0	M8
Ø35 H7 +0,025 -0	10 H9 +0,036 -0	3,3 +0,20 -0	M8
Ø38 H7 +0,025 -0	10 H9 +0,036 -0	3,3 +0,20 -0	M8
Ø40 H7 +0,025 -0	12 H9 +0,043 -0	3,3 +0,20 -0	M10
Ø42 H7 +0,025 -0	12 H9 +0,043 -0	3,3 +0,20 -0	M10
Ø45 H7 +0,025 -0	14 H9 +0,043 -0	3,8 +0,20 -0	M12
Ø48 H7 +0,025 -0	14 H9 +0,043 -0	3,8 +0,20 -0	M12
Ø50 H7 +0,025 -0	14 H9 +0,043 -0	3,8 +0,20 -0	M12



**F<sub>B</sub><sup>insished</sup>**  
**Sprockets**  
FOR ROLLER CHAINS DIN8187-ISO/R 606

**06B**  
3/8"X7/32"

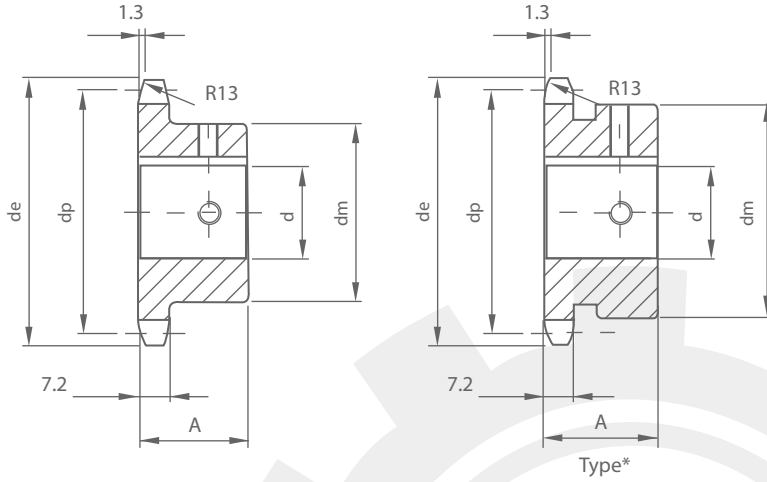


**PITCH-9.525mm ROLLER-φ6.35**

Z	de	dp	d	h	dm	Z	de	dp	d	h	dm	Z	de	dp	d	h	dm
10	34.5	30.82	10 <sup>△</sup>	20	24*	17	55.5	51.83	12	28	40	22	70.6	66.93	15	28	50
			11*		14				16						18		
			12		15				16						19		
			14		16				19						20		
11	37.5	33.80	10 <sup>△</sup>	25	24*	18	58.6	54.85	16	28	43	23	73.7	69.95	18	28	52
			12		17				18						19		
			14		18				19						20		
			15		19				20						22		
12	40.5	36.80	10 <sup>△</sup>	25	26*	19	61.6	57.87	18	28	45	24	76.7	72.97	19	28	54
			12		18				19						20		
			14		19				20						22		
			15		20				22						24		
13	43.5	39.80	10 <sup>△</sup>	25	29*	20	64.6	60.89	19	28	46	25	79.7	76.00	20	28	57
			12		19				20						22		
			14		20				22						24		
			15		22				24						25		
14	46.5	42.80	10 <sup>△</sup>	25	30*	21	67.6	63.91	20	28	48	30	94.8	91.12	22	30	60
			12		20				22						24		
			14		22				24						25		
			15		24				25						30		
15	49.5	45.81	10 <sup>△</sup>	25	31*	22	79.7	76.00	21	28	48	30	94.8	91.12	24	30	60
			12		22				24						25		
			14		24				25						30		
			15		25				30						30		
16	52.5	48.82	10 <sup>△</sup>	28	34*	23	84.8	81.12	22	28	48	30	104.8	101.12	25	30	60
			12		24				25						30		
			14		25				30						30		
			15		26				30						30		
17	55.5	51.83	10 <sup>△</sup>	25	31*	24	94.8	91.12	23	28	48	30	104.8	101.12	28	30	60
			12		25				30						30		
			14		26				30						30		
			15		27				30						30		
18	58.6	54.85	10 <sup>△</sup>	25	34*	25	104.8	101.12	24	28	48	30	114.8	111.12	30	30	60
			12		26				30						30		
			14		27				30						30		
			15		28				30						30		
19	61.6	57.87	10 <sup>△</sup>	25	35*	26	114.8	111.12	25	28	48	30	124.8	121.12	30	30	60
			12		27				30						30		
			14		28				30						30		
			15		29				30						30		
20	64.6	60.89	10 <sup>△</sup>	25	35*	27	124.8	121.12	26	28	48	30	134.8	131.12	30	30	60
			12		28				30						30		
			14		29				30						30		
			15		30				30						30		
21	67.6	63.91	10 <sup>△</sup>	28	37	28	134.8	131.12	27	28	48	30	144.8	141.12	30	30	60
			12		29				30						30		
			14		30				30						30		
			15		31				30						30		

**F<sub>B</sub><sup>insished</sup>**  
**ore Sprockets**  
FOR ROLLER CHAINS DIN8187-ISO/R 606

**08B**  
1/2"X5/16"

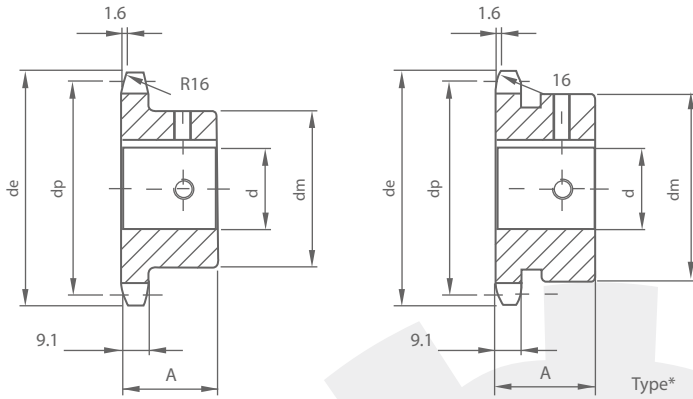


**PITCH-12.70mm ROLLER-Ø8.51**

Z	de	dp	d	A	dm	Z	de	dp	d	A	dm	Z	de	dp	d	A	dm	Z	de	dp	d	A	dm										
10	45.9	41.10	12	25	26	15	65.9	61.09	18	28	45	19	82.0	77.16	16	28	60	20	94.1	89.24	20	28	70	22	65								
			14						19						18						24					22	25	28	30	32	35	38	
			15						20						19						24					22	25	28	30	32	35	38	
			16						22						20						24					22	25	28	30	32	35	38	
11	49.9	45.07	12	25	29	16	69.9	65.10	15	28	50	20	86.0	81.19	16	28	64	23	98.1	93.27	19	28	70	22	65								
			14						18						18						22					20	22	25	28	30	32	35	38
			16/15						20						19						22					20	22	25	28	30	32	35	38
			18						22						20						22					20	22	25	28	30	32	35	38
12	53.9	49.07	12	28	33	17	74.0	69.11	15	28	52	21	90.1	85.22	16	28	68	24	102.1	97.29	19	28	70	22	65								
			14/15						18						18						22					20	22	25	28	30	32	35	38
			16						20						19						22					20	22	25	28	30	32	35	38
			18						22						20						22					20	22	25	28	30	32	35	38
13	57.9	53.06	12	28	37	18	78.0	73.14	15	28	56	22	94.1	89.24	16	28	55	25	106.2	101.33	19	28	70	22	65								
			14						18						18						22					20	22	25	28	30	32	35	38
			15						20						19						22					20	22	25	28	30	32	35	38
			16						22						20						22					20	22	25	28	30	32	35	38
14	61.9	57.07	12	28	41	19	82.0	77.16	15	28	57*	20	86.0	81.19	16	28	64	23	98.1	93.27	19	28	70	22	65								
			14						18						18						22					20	22	25	28	30	32	35	38
			15						20						19						22					20	22	25	28	30	32	35	38
			16						22						20						22					20	22	25	28	30	32	35	38
15	65.9	61.09	12	28	33	20	82.0	77.16	15	28	52	21	90.1	85.22	16	28	68	24	102.1	97.29	19	28	70	22	65								
			14						18						18						22					20	22	25	28	30	32	35	38
			15						20						19						22					20	22	25	28	30	32	35	38
			16						22						20						22					20	22	25	28	30	32	35	38
15	65.9	61.09	12	28	33	21	94.1	89.24	16	28	56	22	94.1	89.24	16	28	55	25	106.2	101.33	19	28	70	22	65								
			14						18						18						22					20	22	25	28	30	32	35	38
			15						20						19						22					20	22	25	28	30	32	35	38
			16						22						20						22					20	22	25	28	30	32	35	38
15	65.9	61.09	12	28	45	22	94.1	89.24	16	28	56	23	98.1	93.27	16	28	64	24	102.1	97.29	19	28	70	22	65								
			14						18						18						22					20	22	25	28	30	32	35	38
			15						20						19						22					20	22	25	28	30	32	35	38
			16						22						20						22					20	22	25	28	30	32	35	38

**F<sub>B</sub><sup>inished</sup>** **Sprockets**  
FOR ROLLER CHAINS **DIN8187-ISO/R 606**

**10B**  
5/8"X3/8"

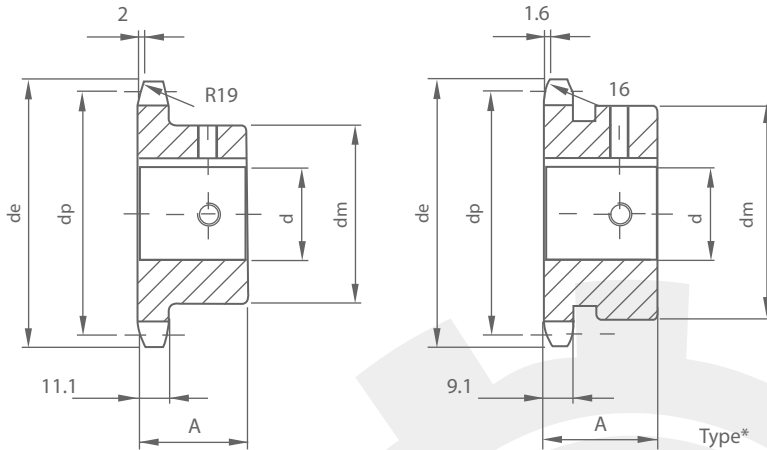


**PITCH-15.875mm** ROLLER-Ø10.16mm

Z	de	dp	d	A	dm	Z	de	dp	d	A	dm	Z	de	dp	d	A	dm	Z	de	dp	d	A	dm
10	58.3	51.37	15	25	35	15	83.2	76.36	19	30	57	19	103.3	96.45	19	30	70	22	118.4	111.55	35	30	80
			16						20						20						38		
			18						22						22						40		
			19						24						24						42		
			20						25						25						42*		
			24						28						28						42*		
11	63.2	56.34	15	30	37	16	88.3	81.37	19	30	60	20	108.4	101.49	19	30	75	23	123.5	116.58	19	30	80
			16						20						20						35		
			18						22						22						38		
			19						24						24						40		
			20						25						25						42		
			24						28						28						42		
12	68.2	61.34	15	30	42	17	93.3	86.39	19	30	60	20	113.4	106.52	19	30	75	24	128.5	121.62	19	30	80
			16						20						20						35		
			18						22						22						38		
			19						24						24						40		
			20						25						25						42		
			24						28						28						42		
13	73.2	66.32	15	30	47	18	98.3	91.42	19	30	70	21	118.4	111.55	19	30	75	25	133.6	126.66	19	30	80
			16						20						20						35		
			18						22						22						38		
			19						24						24						40		
			20						25						25						42		
			24						28						28						42		
14	78.2	71.34	15	30	52	22	118.4	111.55	19	30	70	22	118.4	111.55	19	30	75	25	133.6	126.66	19	30	80
			16						20						20						35		
			18						22						22						38		
			19						24						24						40		
			20						25						25						42		
			24						28						28						42		
			15						19					19					35				
			16						20					20					38				
			18						22					22					40				
			19						24					24					42				
			20						25					25					42*				
			24						28					28					42*				
			30						30					30									
			35						32					32									
			37						35					35									
			42*						38					38									
			47*						40					40									
			51*						42					42									
			55*						44					44									
			57*						46					46									
			60						48					48									
			65						50					50									
			70						52					52									
			75						54					54									
			80						56					56									

**F<sub>B</sub><sup>insished</sup>**  
**ore** **Sprockets**  
FOR ROLLER CHAINS **DIN8187-ISO/R 606**

**12B**  
3/4"X7/16"



**PITCH-19.05mm ROLLER-Ø12.07mm**

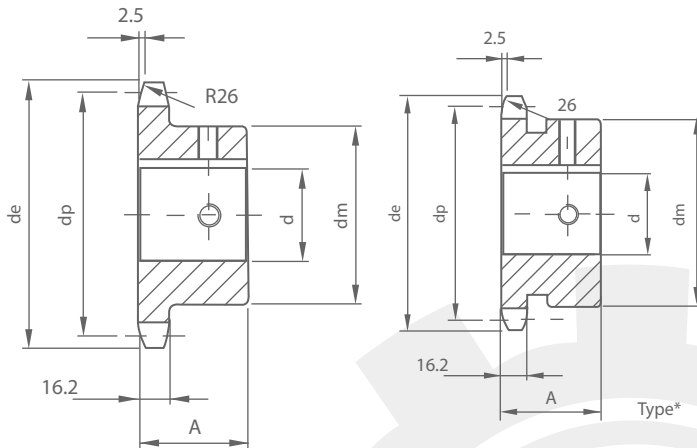
Z	de	dp	d	A	dm	Z	de	dp	d	A	dm	Z	de	dp	d	A	dm	Z	de	dp	d	A	dm				
10	69.8	61.64	19	30	42	14	93.8	85.61	32	35	64	18	117.9	109.71	40	35	80	22	142.0	133.86	38	40	90				
			20						42						25						70			40	80	42	90
			24						46						28						80			28	80	30	90
			25						46						20						70			32	80	32	90
			28*						45*						22						70			35	80	35	90
			30*						47*						24						70			42	80	42	90
			32*						49*						25						70			45	80	45	90
11	75.8	67.61	19	35	49*	15	99.8	91.63	24	35	70	19	123.9	115.75	38	35	80	23	148.1	139.90	25	40	90				
			20						46						28						80			30	80	32	90
			24						46						30						80			35	80	42	90
			25						46						32						80			45	80	45	90
			28*						49*						35						80			50	80	48	90
			30*						51*						38						80			25	70	42	90
			32*						53*						40						70			28	80	45	90
12	81.80	73.60	19	35	52	16	105.8	97.65	19	35	75	20	130.0	121.78	38	35	80	24	154.1	145.94	25	40	90				
			20						56						20						80			30	80	32	90
			22						56						22						70			35	80	35	90
			24						56						25						70			40	80	42	90
			28						56						28						70			45	80	45	90
			30						56						30						70			48	80	48	90
			32						56						32						70			50	80	50	90
13	87.8	79.59	19	35	58	17	111.9	103.67	25	35	80	21	136.0	127.82	35	40	90	25	160.2	152.00	25	40	90				
			20						61						28						80			30	80	32	90
			22						61						30						80			35	80	40	90
			24						61						32						80			42	80	42	90
			25						61						35						80			45	80	45	90
			28						61						38						80			48	80	48	90
			30						61						40						80			50	80	50	90
14	93.8	85.61	19	35	60	18	117.9	109.71	25	35	80	22	142.0	133.86	30	40	80	25	160.2	152.00	38	40	90				
			20						64						28						80			32	80	35	90
			22						64						30						80			40	80	42	90
			24						64						32						80			45	80	45	90
			28						64						35						80			48	80	48	90
			30						64						38						80			50	80	50	90
			32						64						40						80			50	80	50	90

# **F<sub>B</sub><sup>insished</sup>** Sprockets

FOR ROLLER CHAINS **DIN8187-ISO/R 606**

## **16B**

1"X17.02mm



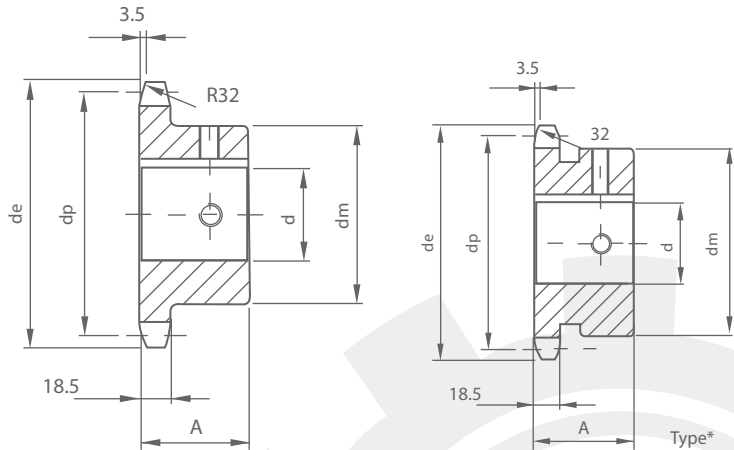
## **PITCH-25.40mm ROLLER- $\phi$ 15.875mm**

Z	de	dp	d	A	dm	Z	de	dp	d	A	dm	Z	de	dp	d	A	dm	Z	de	dp	d	A	dm									
11	101.7	90.14	25	40	61	15	133.7	122.17	30	40	92	18	157.8	146.28	48	40	100	22	190.1	178.48	38	50	110									
			28						32						35						38			40	42	45	48	50	42	45	48	50
			30						32						35						38			40	42	45	48	50	42	45	48	50
			32						35						38						40			42	45	48	50	42	45	48	50	
			35						38						40						42			45	48	50	42	45	48	50		
			38						40						42						45			48	50	42	45	48	50			
			40						42						45						48			50	42	45	48	50				
			42						45						48						50			42	45	48	50					
12	109.7	98.14	25	40	69	16	141.8	130.20	30	45	100	20	173.9	162.38	48	45	100	23	198.1	186.53	38	50	110									
			28						32						35						38			40	42	45	48	50	42	45	48	50
			30						32						35						38			40	42	45	48	50	42	45	48	50
			32						35						38						40			42	45	48	50	42	45	48	50	
			35						38						40						42			45	48	50	42	45	48	50		
			38						40						42						45			48	50	42	45	48	50			
			40						42						45						48			50	42	45	48	50				
			42						45						48						50			42	45	48	50					
13	117.7	106.12	25	40	78	17	149.8	138.22	30	45	100	21	182.0	170.43	48	50	110	24	206.2	194.59	38	50	110									
			28						32						35						38			40	42	45	48	50	42	45	48	50
			30						32						35						38			40	42	45	48	50	42	45	48	50
			32						35						38						40			42	45	48	50	42	45	48	50	
			35						38						40						42			45	48	50	42	45	48	50		
			38						40						42						45			48	50	42	45	48	50			
			40						42						45						48			50	42	45	48	50				
			42						45						48						50			42	45	48	50					
14	125.7	114.15	25	40	84	18	157.8	146.28	30	45	100	22	190.1	178.48	48	50	110	25	214.2	202.66	38	50	110									
			28						32						35						38			40	42	45	48	50	42	45	48	50
			30						32						35						38			40	42	45	48	50	42	45	48	50
			32						35						38						40			42	45	48	50	42	45	48	50	
			35						38						40						42			45	48	50	42	45	48	50		
			38						40						42						45			48	50	42	45	48	50			
			40						42						45						48			50	42	45	48	50				
			42						45						48						50			42	45	48	50					
15	133.7	122.17	25	40	70	18	157.8	146.28	30	45	100	22	190.1	178.48	48	50	110	25	214.2	202.66	38	50	110									
			28		80				42		45				48		50				42		45	48	50							

**F<sub>B</sub>** <sup>inished</sup>  
<sub>ore</sub> **Sprockets**

FOR ROLLER CHAINS DIN8187-ISO/R 606

**20B**  
1"1/4X3/4"



**PITCH-31.75mm ROLLER-Ø19.05mm**

Z	de	dp	d	A	dm	Z	de	dp	d	A	dm	Z	de	dp	d	A	dm				
9	106.5	92.84	25	40	63	13	147.5	132.65	32	45	98	17	187.8	172.78	38	50	120				
			30						35						38			40	42	45	48
			32						35						38			40	42	45	48
			35						38						40			42	45	48	50
			38						40						42			45	48	50	60
10	117.0	102.74	25	40	70	14	157.6	142.68	32	45	108	18	197.8	182.85	38	50	120				
			30						35						38			40	42	45	48
			32						35						38			40	42	45	48
			35						38						40			42	45	48	50
			38						40						42			45	48	50	60
11	127.0	112.68	25	45	77	15	167.7	152.72	32	45	118	19	207.9	192.91	38	50	120				
			28						35						38			40	42	45	48
			30						35						38			40	42	45	48
			32						35						38			40	42	45	48
			35						38						40			42	45	48	50
			38						40						42			45	48	50	60
			40						42						45			48	50	60	70
			42						45						48			50	60	70	
			45						48						50			60	70		
			50						60						70						
12	137.0	122.68	25	45	88	16	177.7	162.75	38	50	120	20	217.9	202.98	38	50	120				
			28						35						38			40	42	45	48
			30						35						38			40	42	45	48
			32						35						38			40	42	45	48
			35						38						40			42	45	48	50
			38						40						42			45	48	50	60
			40						42						45			48	50	60	70
			42						45						48			50	60	70	
			45						48						50			60	70		
			50						60						70						
13	147.5	132.65	25	45	98	17	187.7	182.65	32	45	98	19	207.9	192.91	38	50	120				
			30						35						38			40	42	45	48
			32						35						38			40	42	45	48
			35						38						40			42	45	48	50
			38						40						42			45	48	50	60

# T<sub>aper</sub> B<sub>ore</sub> Stock Sprockets

FOR ROLLER CHAINS DIN8187-ISO/R 606

## BTL

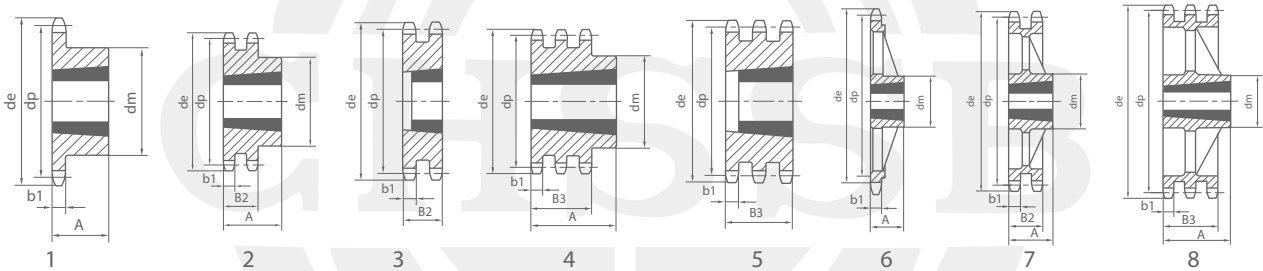
## 06B

3/8"X7/4"



Pinions	mm	
	Tooth radius	r <sub>3</sub>
Radius Width	C	1
Tooth Width	B <sub>1</sub>	5.3
Tooth Width	b <sub>1</sub>	5.2
Tooth Width	B <sub>2</sub>	15.4
Tooth Width	B <sub>3</sub>	25.6

**ROLLER-Ø0.635mm**



## 06B 3/8"x7/32"

E	de	dp	SIMPLEX				DUPLEX				TRIPLEX			
			dm	A	BUSHS	TYPE	dm	A	BUSHS	TYPE	dm	A	BUSHS	TYPE
17	55.5	51.83	45	22	1008	1	43	22	1008	2	—	25.6	1008	5
18	58.6	54.85	45	22	1008	1	43	22	1008	2	—	25.6	1008	5
19	61.6	57.86	45	22	1008	1	46	22	1008	2	—	25.6	1008	5
20	64.6	60.89	46	22	1008	1	48	22	1008	2	—	25.6	1008	5
21	67.6	63.90	46	22	1008	1	49	22	1008	2	—	25.6	1008	5
22	70.6	66.93	55	22	1108	1	52	22	1108	2	—	25.6	1210	5
23	73.7	69.95	63	25	1210	1	59	25	1210	2	—	25.6	1210	5
24	76.7	72.97	63	25	1210	1	61	25	1210	2	—	25.6	1210	5
25	79.7	75.99	63	25	1210	1	64	25	1210	2	—	25.6	1210	5
26	82.7	79.02	63	25	1210	1	65	25	1210	2	—	25.6	1210	5
27	85.7	82.04	63	25	1210	1	70	25	1210	2	—	25.6	1210	5
28	88.8	85.07	63	25	1210	1	70	25	1210	2	—	25.6	1210	5
30	94.8	91.12	63	25	1210	1	75	25	1210	2	79	38	1615	4
38	119.0	115.34	70	25	1210	1	80	25	1610	2	90	38	1615	4
45	141.1	136.54	70	25	1210	1	80	25	1610	2	—	—	—	—
57	177.5	172.91	83	25	1210	6	92	25	1610	7	—	—	—	—
76	235.1	230.49	83	25	1210	6	92	25	1610	7	—	—	—	—
95	292.7	288.08	83	25	1210	6	92	25	1610	7	—	—	—	—
114	350.3	345.68	83	25	1210	6	95	38	1615	7	—	—	—	—

# T<sub>aper</sub> B<sub>ore</sub> Stock Sprockets

## BTL

FOR ROLLER CHAINS DIN8187-ISO/R 606

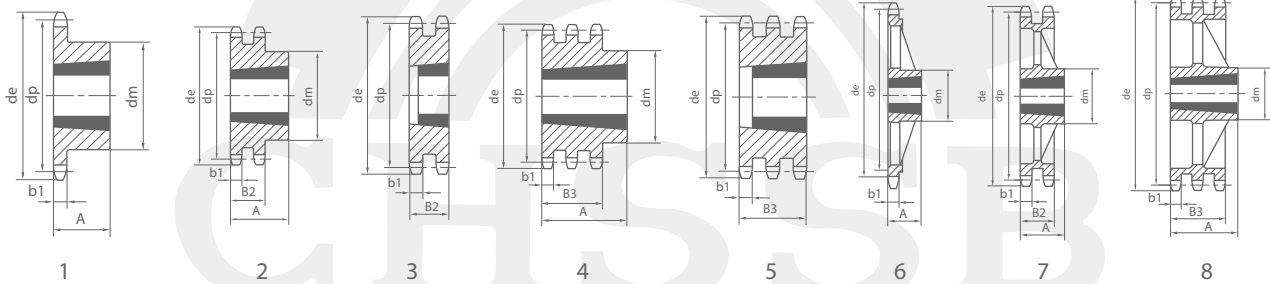
## 08B

1/2"X5/16"



Pinions	mm	
	Tooth Radius	r <sub>3</sub>
Radius Width	C	1.3
Tooth Width	B <sub>1</sub>	7.2
Tooth Width	b <sub>1</sub>	7
Tooth Width	B <sub>2</sub>	21
Tooth Width	B <sub>3</sub>	34.9

**ROLLER-Ø8.51mm**



**08B** 1/2"x5/16"

E	de	dp	SIMPLEX				DUPLEX				TRIPLEX			
			dm	A	BUSHS	TYPE	dm	A	BUSHS	TYPE	dm	A	BUSHS	TYPE
15	66.5	61.80	46	22	1008	1	46	22	1008	2	—	34.9	1008	5
16	69.9	65.10	50	22	1108	1	50	22	1108	2	—	34.9	1210	5
17	74.5	69.11	60	25	1210	1	56	25	1210	2	—	34.9	1210	5
18	78.0	73.14	60	25	1210	1	60	25	1210	2	—	34.9	1210	5
19	82.5	77.15	63	25	1210	1	62	25	1210	2	62	38	1215	4
20	86.0	81.19	71	25	1610	1	66	25	1610	2	—	34.9	2012	5
21	90.6	85.21	71	25	1610	1	71	25	1610	2	70	38	1615	4
22	94.1	89.24	71	25	1610	1	76	25	1610	2	70	38	1615	4
23	98.7	93.26	76	25	1610	1	79	25	1610	2	70	38	1615	4
24	102.1	97.29	76	25	1610	1	84	25	1610	2	—	34.9	2012	5
25	106.7	101.32	76	25	1610	1	87	32	2012	2	—	34.9	2012	5
26	110.2	105.36	76	25	1610	1	87	32	2012	2	—	34.9	2012	5
27	114.8	109.40	76	25	1610	1	87	32	2012	2	—	34.9	2012	5
28	118.3	113.42	90	32	2012	1	87	32	2012	2	—	34.9	2012	5
30	126.9	121.49	90	32	2012	1	87	32	2012	2	—	34.9	2012	5
38	159.2	153.79	90	32	2012	1	102	32	2012	2	—	34.9	2012	5
45	188.6	182.07	102	32	2012	1	100	32	2012	7	—	34.9	2012	5
57	237.1	230.54	111	32	2012	6	111	32	2012	7	—	34.9	2012	5
76	313.9	307.33	111	32	2012	6	111	32	2012	7	—	34.9	2012	5
95	390.7	384.11	111	32	2012	6	111	32	2012	7	—	34.9	2012	5
114	467.4	460.90	120	45	2517	6	120	45	2517	7	—	34.9	2012	5



# Taper Stock Sprockets

# BTL

FOR ROLLER CHAINS DIN8187-ISO/R 606

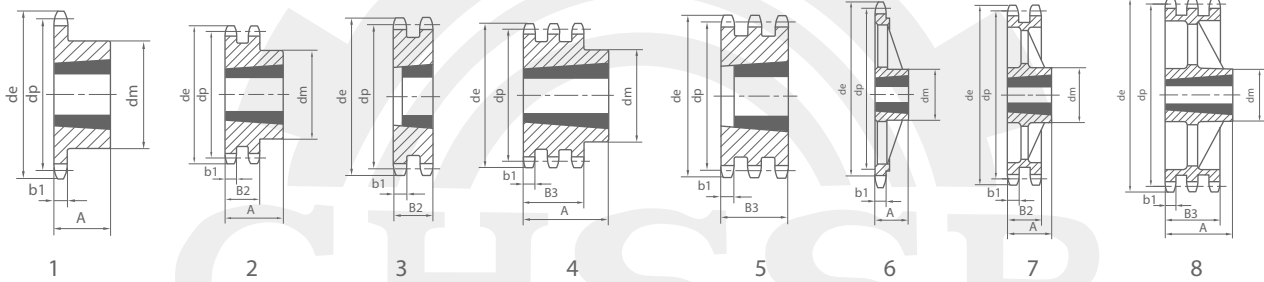
# 10B

## 5/8"X3/8"



Pinions		mm
Tooth Radius	r <sub>3</sub>	16
Radius Width	C	1.6
Tooth Width	B <sub>1</sub>	9.1
Tooth Width	b <sub>1</sub>	9
Tooth Width	B <sub>2</sub>	25.5
Tooth Width	B <sub>3</sub>	42.1

**ROLLER-Ø10.16mm**



# 10B

## 5/8"x3/8"

E	de	dp	SIMPLEX				DUPLEX				TRIPLEX						
			dm	A	BUSHS	TYPE	dm	A	BUSHS	TYPE	dm	A	BUSHS	TYPE			
13	73.2	66.32	47	22	1008	1	—	—	—	—	—	—	—	—	—	—	
14	78.2	71.34	52	22	1108	1	—	—	—	—	—	—	—	—	—	—	
15	83.2	76.36	60	25	1210	1	—	25.5	1210	3	—	42.1	1215	5	—	—	
16	88.3	81.37	63	25	1210	1	—	25.5	1610	3	—	42.1	1215	5	—	—	
17	93.3	86.39	71	25	1610	1	—	25.5	1610	3	—	42.1	1215	5	—	—	
18	98.3	91.42	75	25	1610	1	—	25.5	1610	3	—	42.1	1615	5	—	—	
19	103.3	96.45	75	25	1610	1	—	25.5	1610	3	—	42.1	1615	5	—	—	
20	108.4	101.49	75	25	1610	1	—	25.5	1610	3	—	42.1	1615	5	—	—	
21	113.4	106.52	76	25	1610	1	1045	—	25.5	1610	3	1045	—	42.1	1615	5	1045
22	118.4	111.55	76	25	1610	1	—	—	25.5	1610	3	—	42.1	1615	5	—	—
23	123.5	116.58	76	25	1610	1	—	25.5	1610	3	—	42.1	2012	5	—	—	
24	128.5	121.62	90	32	2012	1	—	90	32	2012	2	—	45	2517	4	—	—
25	133.6	126.66	90	32	2012	1	—	90	32	2012	2	105	45	2517	4	—	—
26	138.6	131.70	90	32	2012	1	—	90	32	2012	2	—	45	2517	4	—	—
27	143.6	136.74	90	32	2012	1	—	90	32	2012	2	110	45	2517	4	—	—
28	148.7	141.78	90	32	2012	1	—	90	32	2012	2	—	45	2517	4	—	—
30	158.8	151.87	90	32	2012	1	—	90	32	2012	2	120	45	2517	4	—	—
38	199.1	192.24	102	32	2012	1	—	108	45	2517	2	—	—	—	—	—	—
45	236.0	227.58	100	32	2012	6	—	120	45	2517	7	—	—	—	—	—	—
57	296.6	288.18	111	32	2012	6	—	—	—	—	—	—	—	—	—	—	—
76	392.5	384.16	111	32	2012	6	GG25	—	—	—	—	GG25	—	—	—	—	GG25
95	488.5	480.14	120	45	2517	6	—	—	—	—	—	—	—	—	—	—	—
114	584.5	576.13	120	45	2517	6	—	—	—	—	—	—	—	—	—	—	—

# $T_{B_{ore}}^{aper}$ Stock Sprockets

FOR ROLLER CHAINS DIN8187-ISO/R 606

# BTL

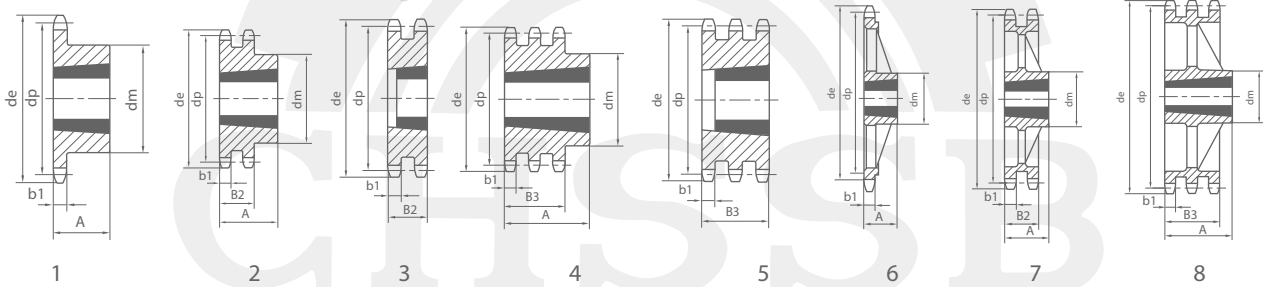
# 12B

3/4"X7/16"



Pinions	mm	
	Tooth Radius	$r_3$
Radius Width	C	2
Tooth Width	$B_1$	11.1
Tooth Width	$b_1$	10.8
Tooth Width	$B_2$	30.3
Tooth Width	$B_3$	49.8

**ROLLER- $\phi$ 12.07mm**



**12B** 3/4"x7/16"

E	de	dp	SIMPLEX				DUPLEX				TRIPLEX						
			dm	A	BUSHS	TYPE	dm	A	BUSHS	TYPE	dm	A	BUSHS	TYPE			
13	87.8	79.59	63	25	1210	1											
14	93.8	85.61	71	25	1610	1											
15	99.8	91.63	71	25	1610	1		71	38	1615	2		49.8	1615	5		
16	105.8	97.65	75	25	1610	1		71	38	1615	2		49.8	1615	5		
17	111.9	103.67	76	25	1610	1		80	38	1615	2		49.8	1615	5		
18	117.9	109.71	90	32	2012	1		90	32	2012	2						
19	123.9	115.75	90	32	2012	1		95	32	2012	2		49.8	2012	5		
20	130.0	121.78	90	32	2012	1		108	45	2517	2		49.8	2517	5		
21	136.0	127.82	102	45	2517	1	1045	108	45	2517	2		49.8	2517	5		
22	142.0	133.86	108	45	2517	1		108	45	2517	2						
23	148.1	139.90	108	45	2517	1		108	45	2517	2		49.8	2517	5		
24	154.1	145.94	108	45	2517	1		108	45	2517	2		49.8	2517	5		
25	160.2	152.00	108	45	2517	1		108	45	2517	2		49.8	2517	5		
26	166.2	158.04	108	45	2517	1		108	45	2517	2						
27	172.3	164.09	108	45	2517	1		108	45	2517	2		140	51	3020	4	
28	178.3	170.13	108	45	2517	1		108	45	2517	2						
30	190.4	182.25	108	45	2517	1		108	45	2517	2		140	51	3020	4	
38	238.9	230.69	108	45	2517	1		140	51	3020	2		140	51	3020	4	
45	283.2	273.10	120	45	2517	6		150	51	3020	7						
57	355.9	345.81	124	45	2517	6	GG25	160	51	3020	7						
76	471.1	460.99	124	45	2517	6		160	51	3020	7		160	51	3020	8	
95	586.2	576.17	124	45	2517	6		160	51	3020	7		160	76	3030	8	
114	701.4	691.36	124	64	2525	6		160	76	3030	7		160	76	3030	8	

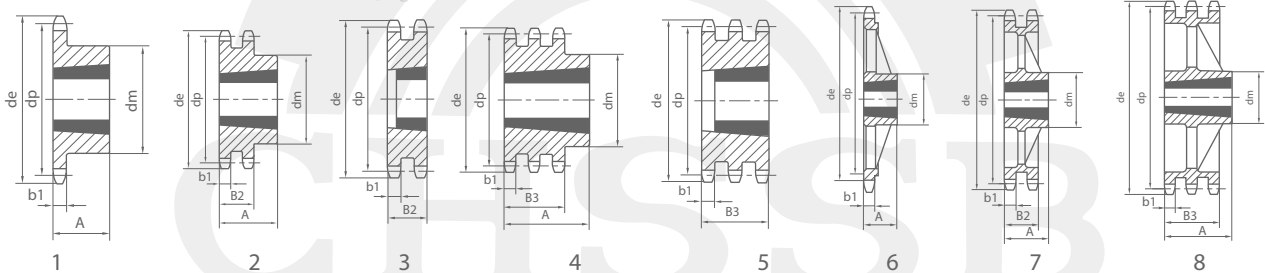
# T<sub>B</sub><sup>aper</sup> Stock Sprockets

# BTL

FOR ROLLER CHAINS DIN8187-ISO/R 606



	Pinions		mm
		Tooth Radius	r <sub>3</sub>
	Radius Width	C	2.5
	Tooth Width	B <sub>1</sub>	16.2
	Tooth Width	b <sub>1</sub>	15.8
	Tooth Width	B <sub>2</sub>	47.7
	Tooth Width	B <sub>3</sub>	79.6



## 16B 1"x17.02mm

E	de	dp	SIMPLEX				DUPLEX				TRIPLEX					
			dm	A	BUSHS	TYPE	dm	A	BUSHS	TYPE	dm	A	BUSHS	TYPE		
13	117.7	106.13	73	28	1615	1										
14	125.7	114.15	76	38	1615	1										
15	133.7	122.17	76	38	1615	1										
16	141.8	130.20	90	32	2012	1										
17	149.8	138.22	90	32	2012	1										
18	157.8	146.28	108	45	2517	1										
19	165.9	154.33	108	45	2517	1										
20	173.9	162.38	110	45	2517	1										
21	182.0	170.43	110	45	2517	1	1045									
22	190.1	178.48	110	45	2517	1		140	51	3020	3	1045				
23	198.1	186.53	110	45	2517	1		140	51	3020	2		159	89	3535	4
24	206.2	194.59	110	45	2517	1		140	51	3020	2					
25	214.2	202.66	110	45	2517	1		140	51	3020	2		175	89	3535	4
26	222.3	210.72	110	45	2517	1		140	51	3020	2					
27	230.4	218.79	110	45	2517	1		140	51	3020	2		175	89	3535	4
28	238.4	226.85	110	45	2517	1		140	51	3020	2					
30	254.6	243.00	120	45	2517	1		140	76	3030	2		175	89	3535	4
38	319.2	307.59	160	51	3020	6		160	76	3030	7		178	89	3535	8
45	377.9	364.13	160	51	3020	6		160	76	3030	7		215	102	4040	8
57	474.9	416.07	160	51	3020	6	GG25	175	89	3535	7		215	102	4040	8
76	628.0	614.65	160	51	3020	6		178	89	3535	7		215	102	4040	8
95	782.0	768.22	160	51	3020	6		215	102	4040	7		220	102	4040	8
114	935.6	921.81	160	76	3030	6		220	102	4040	7		260	114	4545	8

**T<sub>B</sub><sup>aper</sup>** **Stock Sprockets**

**BTL**

FOR ROLLER CHAINS DIN8187-ISO/R 606

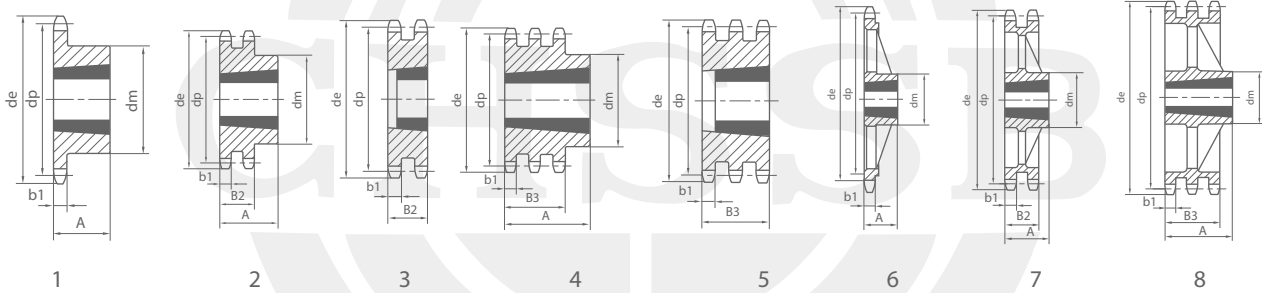
**20B**

1 1/4"X3/4"



Pinions		mm
Tooth Radius	r <sub>3</sub>	32
Radius Width	C	3.5
Tooth Width	B <sub>1</sub>	18.5
Tooth Width	b <sub>1</sub>	18.2
Tooth Width	B <sub>2</sub>	54.6
Tooth Width	B <sub>3</sub>	91

**ROLLER-∅19.05mm**

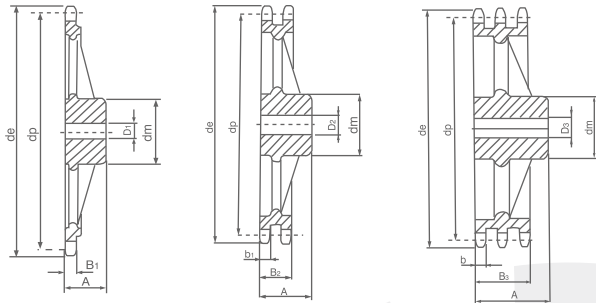


**20B** 1 1/4"x3/4"

Z	de	dp	SIMPLEX				
			dm	A	BUSHS	TYPE	
13	147.5	132.65	90	32	2012	1	1045
15	167.7	152.72	110	45	2517	1	
17	187.7	172.78	110	45	2517	1	
19	207.8	192.91	110	45	2517	1	
21	228.0	213.04	120	45	2517	1	
23	248.2	233.17	120	45	2517	1	
25	268.4	253.33	120	45	2517	1	
27	288.5	273.48	150	51	3020	1	
30	318.7	303.75	160	51	3020	1	
38	399.4	384.49	160	51	3020	6	
45	471.1	455.17	160	51	3020	6	GG25
57	592.3	576.36	160	51	3020	6	
76	784.3	768.32	160	51	3020	6	

# Cast Iron Sprockets

FOR ROLLER CHAINS DIN8187-ISO/R 606



## 06B 3/8"X7/32"

PITCH	9.525	Z	de	dp	SIMPLEX			DUPLEX			TRIPLEX		
					dm	D1	A	dm	D2	A	dm	D3	A
ROLLER- φ	6.35												
r3	10	38	119.0	115.34	70	20	32	80	20	40	90	24	56
C	1	45	141.1	136.54	70	20	32	80	20	40	90	24	56
B1	5.30	57	177.5	172.91	70	20	32	80	20	40	90	24	56
b1	5.2	76	235.1	230.49	70	20	32	80	20	40	100	24	56
		95	292.7	288.08	80	20	40	90	20	45	100	24	56
B2	15.4	114	350.3	345.68	80	20	40	90	20	45	100	24	56
B3	25.6	150	459.2	454.82	90	24	45	100	24	50	125	24	60

## 08B 1/2"X5/16"

PITCH	12.70	Z	de	dp	SIMPLEX			DUPLEX			TRIPLEX		
					dm	D1	A	dm	D2	A	dm	D3	A
ROLLER- φ	8.51												
r3	13	38	158.6	153.80	70	20	40	90	24	50	100	24	60
C	1.3	45	188.6	182.07	70	24	40	90	24	50	100	24	60
B1	7.20	57	237.1	230.54	70	24	40	90	24	50	100	24	60
b1	7.0	76	313.9	307.33	80	24	40	100	24	56	100	24	60
		95	390.7	384.11	80	24	45	100	24	56	120	24	67
B2	21.0	114	467.4	460.90	80	24	45	100	24	63	120	24	67
B3	34.9												

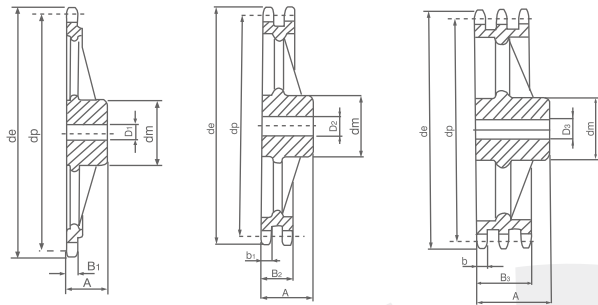
## 10B 5/8"X3/8"

PITCH	15.875	Z	de	dp	SIMPLEX			DUPLEX			TRIPLEX		
					dm	D1	A	dm	D2	A	dm	D3	A
ROLLER- φ	10.16												
r3	16	38	199.1	192.24	80	24	40	100	30	50	100	32	60
C	1.6	45	236.0	227.58	80	24	40	100	30	50	100	32	60
B1	9.1	57	296.6	288.18	90	24	45	100	30	56	100	32	63
b1	9.0	76	392.5	384.16	90	24	50	100	30	63	110	35	67
		95	488.5	480.14	100	24	56	110	30	63	125	35	70
B2	25.5	114	584.5	576.13	100	24	56	125	30	70	125	35	80
B3	42.1												

material:GG25

# Cast Iron Sprockets

FOR ROLLER CHAINS DIN8187-ISO/R 606



## 12B 3/4"X7/16"

PITCH	19.05	z	de	dp	SIMPLEX			DUPLEX			TRIPLEX		
					dm	D1	A	dm	D2	A	dm	D3	A
ROLLER- $\phi$	12.07												
r3	19	38	238.9	230.69	100	24	56	110	30	63	140	30	70
C2		45	283.2	273.10	100	24	56	110	30	63	140	30	70
B1	11.1	57	355.9	345.81	100	30	56	120	30	63	140	40	70
b1	10.8	76	471.1	460.99	100	30	56	135	30	63	160	40	75
		95	586.2	576.17	100	30	65	135	30	70	170	40	82
B2	30.3	114	701.4	691.36	100	30	65	135	45	70	170	50	82
B3	49.8												

## 16B 1"X17.02mm

PITCH	25.40	z	de	dp	SIMPLEX			DUPLEX			TRIPLEX		
					dm	D1	A	dm	D2	A	dm	D3	A
ROLLER- $\phi$	15.88												
r3	26	38	319.2	307.59	110	30	65	140	40	75	160	45	100
C	2.5	45	377.9	364.12	125	30	70	148	40	75	160	45	100
B1	16.2	57	474.9	461.07	125	35	70	170	40	90	165	45	100
b1	15.8	76	628.4	614.65	140	35	80	175	40	95	200	45	110
		95	782.0	768.22	140	40	80	175	45	95	200	50	110
B2	47.7	114	935.6	921.81	140	40	80	175	45	95	200	50	115
B3	79.6												

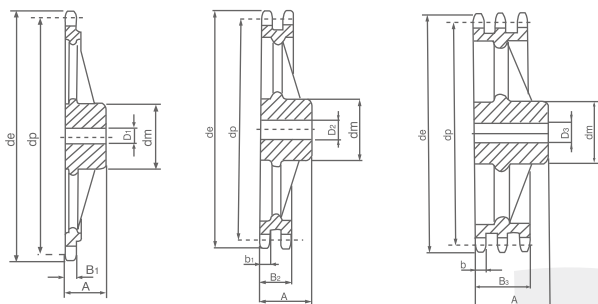
## 20B 1 1/4"x3/4"

PITCH	31.75	z	de	dp	SIMPLEX			DUPLEX			TRIPLEX		
					dm	D1	A	dm	D2	A	dm	D3	A
ROLLER- $\phi$	19.05												
r3	32	45	471.1	455.17	125	35	70	140	45	90	180	56	110
C	3.5	57	592.3	576.36	135	40	80	160	50	100	180	63	125
		76	784.3	768.32	140	50	90	180	56	100	200	63	140
B1	18.5												
b1	18.2												
B2	54.6												
B3	91.0												

material:GG25

# Cast Iron Sprockets

FOR ROLLER CHAINS DIN8187-ISO/R 606



## 24B 1 1/2"x1"

PITCH	38.10	z	de	dp	SIMPLEX			DUPLEX			TRIPLEX		
					dm	D1	A	dm	D2	A	dm	D3	A
ROLLER- $\phi$	25.40												
r	38	45	562	546.2	140	45	90	180	45	100	200	63	150
C	4	57	707.5	691.63	160	45	100	200	55	110	200	70	150
B1	24.1	76	939.0	921.98	170	45	100	220	55	120	230	55	150
b1	23.6	95	1169	1152.33	200	50	125	220	55	140	250	40	180
B2	72.0	114	1398.72	1382.72							280	40	180
B3	120.3												

## 28B 1 3/4"x1 1/4"

PITCH	44.45	z	de	dp	SIMPLEX			DUPLEX			TRIPLEX		
					dm	D1	A	dm	D2	A	dm	D3	A
ROLLER- $\phi$	27.94												
r3	44	57	825	806.9				260	40	127	280	40	180
C	5												
B1	29.4												
b1	28.8												
B2	88.4												
B3	148												

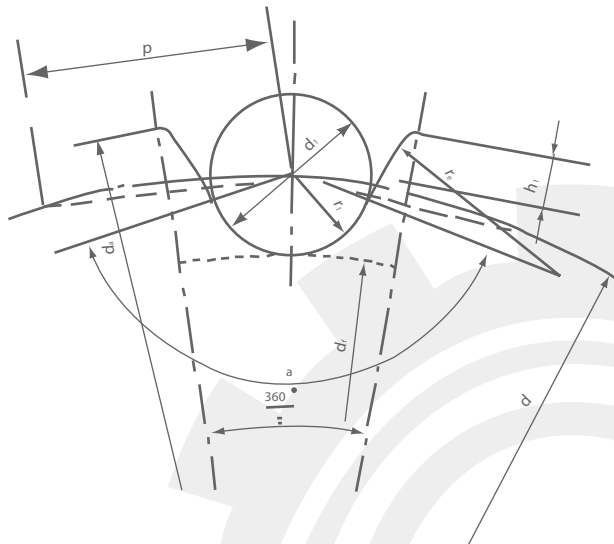
## 32B 2"x1 1/4"

PITCH	50.8	z	de	dp	SIMPLEX			DUPLEX			TRIPLEX		
					dm	D1	A	dm	D2	A	dm	D3	A
ROLLER- $\phi$	29.21												
r3	51	38	638	615.16				260	40	127	250	40	180
C	6	57	945	922.16				260	40	127	250	40	180
B1	29.4	76	1252	1229.27									
b1	28.8												
B2	87.4												
B3	146												

material:GG25

# Sprockets - Chain

DIN8187-ISO606

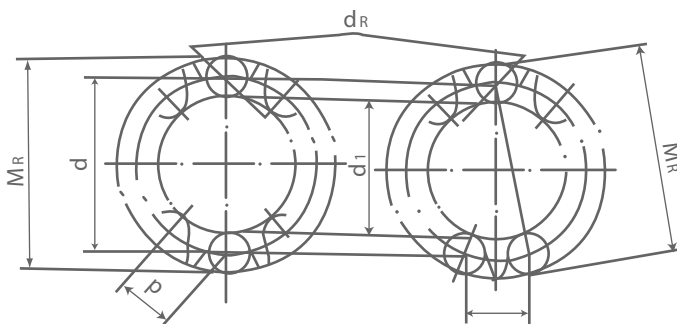


Z=Teeth  
P=Pitch  
d<sub>1</sub>=Roller Diameter  
d<sub>a</sub>=Addendum Circle  
d=Graduated Circle  
d<sub>f</sub>=Diameter of dedendum Circle  
r<sub>e</sub>=Arc radius of teeth flank  
r<sub>i</sub>=Arc radius of teeth root

sprocket diameter formula

name	clde	formular	note
Pitch reference cylinder	d	$d = \frac{P}{\sin \frac{180^\circ}{Z}}$	P=Pitch Z=Teeth
tip diameter	d <sub>a</sub>	$d_a = P(0.6 + \text{ctg} \frac{180^\circ}{Z})$	
root diameter	d <sub>f</sub>	$d_f = d - d_1$	d <sub>1</sub> =Roller Diameter
hub diameter	MHD	$MHD = P(\text{ctg} \frac{180^\circ}{Z}) - 0.76$	

## Checking method for tooth space accuracy



even number

odd number

even number of teeth

$$M_R = d + d_R$$

odd number of teeth

$$M_R = d \left( \cos \frac{90^\circ}{Z} \right) + d_R$$



# Sprockets - Chain

## Calculation for the centre transmission distance

K<sub>a</sub> coefficient K<sub>a</sub>

The centre transmission distance can be calculated by involut function:  $a = p(2L_p - Z_2 - Z_1)K_a$

P — chain pitch

L<sub>p</sub> — number of links

K<sub>a</sub> coefficient K<sub>a</sub>

$\frac{L_p - Z_1}{Z_2 - Z_1}$	K <sub>a</sub>	$\frac{L_p - Z_1}{Z_2 - Z_1}$	K <sub>a</sub>	$\frac{L_p - Z_1}{Z_2 - Z_1}$	K <sub>a</sub>
1.050	0.19245	1.122	0.20957	1.194	0.21927
1.052	0.19312	1.124	0.20991	1.196	0.21948
1.054	0.19378	1.126	0.21024	1.198	0.21969
1.056	0.19441	1.128	0.21057	1.200	0.21990
1.058	0.19504	1.130	0.21090	1.202	0.22011
1.060	0.19564	1.132	0.21122	1.204	0.22031
1.062	0.19624	1.134	0.21153	1.206	0.22051
1.064	0.19682	1.136	0.21184	1.208	0.22071
1.066	0.19739	1.138	0.21215	1.210	0.22090
1.068	0.19794	1.140	0.21245	1.212	0.22110
1.070	0.19848	1.142	0.21275	1.214	0.22129
1.072	0.19902	1.144	0.21304	1.216	0.22148
1.074	0.19954	1.146	0.21333	1.218	0.22167
1.076	0.20005	1.148	0.21361	1.220	0.22185
1.078	0.20055	1.150	0.21390	1.220	0.22185
1.080	0.20104	1.152	0.21417	1.224	0.22222
1.082	0.20152	1.154	0.21445	1.226	0.22240
1.084	0.20199	1.156	0.21472	1.228	0.22257
1.086	0.20246	1.158	0.21499	1.230	0.22275
1.088	0.20291	1.160	0.21525	1.232	0.22293
1.090	0.20336	1.162	0.21551	1.234	0.22310
1.092	0.20380	1.164	0.21577	1.236	0.22327
1.094	0.20423	1.166	0.21602	1.238	0.22344
1.096	0.20465	1.168	0.21627	1.240	0.22360
1.098	0.20507	1.170	0.21652	1.242	0.22377
1.100	0.20548	1.172	0.21677	1.244	0.22393
1.102	0.20588	1.174	0.21701	1.246	0.22410
1.104	0.20628	1.186	0.21725	1.248	0.22426
1.106	0.20667	1.178	0.21748	1.250	0.22442
1.108	0.20705	1.180	0.21772	1.252	0.22457
1.112	0.20780	1.184	0.21817	1.256	0.22488
1.114	0.20817	1.186	0.21840	1.258	0.22504
1.116	0.20852	1.188	0.21842	1.260	0.22519
1.118	0.20888	1.190	0.21884	1.262	0.22534
1.120	0.20923	1.192	0.21906	1.264	0.22548

$\frac{L_p - Z_1}{Z_2 - Z_1}$	K <sub>a</sub>	$\frac{L_p - Z_1}{Z_2 - Z_1}$	K <sub>a</sub>	$\frac{L_p - Z_1}{Z_2 - Z_1}$	K <sub>a</sub>
1.266	0.22563	1.46	0.23524	2.20	0.24552
1.268	0.22578	1.47	0.23556	2.25	0.24578
1.270	0.22592	1.48	0.23588	2.30	0.24602
1.272	0.22606	1.49	0.23618	2.35	0.24623
1.274	0.22621	1.50	0.23648	2.40	0.24643
1.276	0.22635	1.51	0.23677	2.45	0.24662
1.278	0.22648	1.52	0.23704	2.50	0.24679
1.280	0.22622	1.53	0.23731	2.55	0.24694
1.282	0.22676	1.54	0.23757	2.60	0.24709
1.284	0.22689	1.55	0.23782	2.65	0.24722
1.286	0.22703	1.56	0.23806	2.70	0.24735
1.288	0.22716	1.57	0.23830	2.75	0.24747
1.290	0.22729	1.58	0.23853	2.80	0.24758
1.292	0.22742	1.59	0.23875	2.85	0.24768
1.294	0.22755	1.60	0.23896	2.90	0.24778
1.296	0.22768	1.61	0.23917	2.95	0.24787
1.298	0.22780	1.62	0.23938	3.0	0.24795
1.300	0.22793	1.63	0.23957	3.1	0.24811
1.305	0.22824	1.64	0.23976	3.2	0.24825
1.310	0.22854	1.65	0.23995	3.3	0.24837
1.315	0.22883	1.66	0.24013	3.4	0.24848
1.320	0.22912	1.67	0.24031	3.5	0.24858
1.325	0.22941	1.68	0.24028	3.6	0.24867
1.330	0.22968	1.69	0.24065	3.7	0.24876
1.335	0.22995	1.70	0.24081	3.8	0.24883
1.340	0.23022	1.72	0.24112	3.9	0.24890
1.345	0.23048	1.74	0.24142	4.0	0.24896
1.350	0.23073	1.76	0.24170	4.1	0.24902
1.355	0.23098	1.78	0.24197	4.2	0.24907
1.360	0.23123	1.80	0.24222	4.3	0.24912
1.365	0.23146	1.82	0.24247	4.4	0.24916
1.370	0.23170	1.84	0.24270	4.5	0.24921
1.375	0.23193	1.86	0.24292	4.6	0.24924
1.380	0.23215	1.88	0.24313	4.7	0.24928
1.385	0.23238	1.90	0.24333	4.8	0.24931
1.390	0.23259	1.92	0.24352	4.9	0.24934
1.395	0.23281	1.94	0.24371	5.0	0.24937
1.40	0.23301	1.96	0.24388	5.5	0.24949
1.41	0.23342	1.98	0.24405	6.0	0.24958
1.42	0.23381	2.00	0.24421	7	0.24970
1.43	0.23419	2.05	0.24459	8	0.24977
1.44	0.23455	2.10	0.24493	9	0.24983
1.45	0.23490	2.15	0.24524	10	0.24986

when the figure of  $\frac{L_p - Z_1}{Z_2 - Z_1}$  between the two figures of listed table, K<sub>a</sub> should be calculated by way of insetion.

# Sprockets - Chain

Transmission Ratio Table $r = \frac{Z_2}{Z_1}$																	
$Z_2$	$Z_1$																
$Z_2$	8	9	10	11	12	13	14	15	16	17	18	19	20	21	22	23	24
8	1.00	0.89	0.80	0.73	0.67	0.62	0.57	0.53	0.50	0.47	0.44	0.42	0.40	0.38	0.36	0.35	0.33
9	1.13	1.00	0.90	0.82	0.75	0.69	0.64	0.60	0.56	0.53	0.50	0.47	0.45	0.43	0.41	0.39	0.38
10	1.25	1.11	1.00	0.91	0.83	0.77	0.71	0.67	0.63	0.59	0.56	0.53	0.50	0.48	0.45	0.43	0.42
11	1.38	1.22	1.10	1.00	0.92	0.85	0.79	0.73	0.69	0.65	0.61	0.58	0.55	0.52	0.50	0.48	0.46
12	1.50	1.33	1.20	1.09	1.00	0.92	0.86	0.80	0.75	0.71	0.67	0.63	0.60	0.57	0.55	0.52	0.50
13	1.63	1.44	1.30	1.18	1.08	1.00	0.93	0.87	0.81	0.76	0.72	0.68	0.65	0.62	0.59	0.57	0.54
14	1.75	1.56	1.40	1.27	1.17	1.08	1.00	0.93	0.88	0.82	0.78	0.74	0.70	0.67	0.64	0.61	0.58
15	1.88	1.67	1.50	1.36	1.25	1.15	1.07	1.00	0.94	0.88	0.83	0.79	0.75	0.71	0.68	0.65	0.63
16	2.00	1.78	1.60	1.40	1.33	1.23	1.14	1.07	1.00	0.94	0.89	0.84	0.80	0.76	0.73	0.70	0.67
17	2.13	1.89	1.70	1.55	1.42	1.31	1.21	1.13	1.06	1.00	0.94	0.89	0.85	0.81	0.77	0.74	0.71
18	2.25	2.00	1.80	1.64	1.50	1.38	1.29	1.20	1.13	1.06	1.00	0.95	0.90	0.86	0.82	0.78	0.75
19	2.38	2.11	1.90	1.73	1.58	1.46	1.36	1.27	1.19	1.12	1.06	1.00	0.95	0.90	0.86	0.83	0.79
20	2.50	2.22	2.00	1.82	1.67	1.54	1.43	1.33	1.25	1.18	1.11	1.05	1.00	0.95	0.91	0.87	0.83
21	2.63	2.33	2.10	1.91	1.75	1.62	1.50	1.40	1.31	1.24	1.17	1.11	1.05	1.00	0.95	0.91	0.88
22	2.75	2.44	2.20	2.00	1.83	1.69	1.57	1.47	1.38	1.29	1.22	1.16	1.10	1.05	1.00	0.96	0.92
23	2.88	2.56	2.30	2.09	1.92	1.77	1.64	1.53	1.44	1.35	1.28	1.21	1.151	1.10	1.05	1.00	0.96
24	3.00	2.67	2.40	2.18	2.00	1.85	1.71	1.60	1.50	1.41	1.33	1.26	1.20	1.14	1.09	1.04	1.00
25	3.13	2.78	2.50	2.27	2.08	1.92	1.79	1.67	1.56	1.47	1.39	1.32	1.25	1.19	1.14	1.09	1.04
26	3.25	2.89	2.60	2.36	2.17	2.00	1.86	1.73	1.63	1.53	1.44	1.37	1.30	1.24	1.18	1.13	1.08
27	3.38	3.00	2.70	2.46	2.25	2.08	1.93	1.80	1.69	1.59	1.50	1.42	1.35	1.29	1.23	1.17	1.13
28	3.50	3.11	2.80	2.55	2.33	2.15	2.00	1.87	1.75	1.65	1.56	1.47	1.40	1.33	1.27	1.22	1.17
29	3.63	3.22	2.90	2.64	2.42	2.23	2.07	1.93	1.81	1.71	1.61	1.53	1.45	1.38	1.32	1.26	1.21
30	3.75	3.33	3.00	2.73	2.50	2.31	2.14	2.00	1.88	1.76	1.67	1.58	1.50	1.43	1.36	1.30	1.25
31	3.88	3.44	3.10	2.82	2.58	2.38	2.21	2.07	1.94	1.82	1.72	1.63	1.55	1.48	1.41	1.35	1.29
32	4.00	3.56	3.20	2.91	2.67	2.46	2.29	2.13	2.00	1.88	1.78	1.68	1.60	1.52	1.45	1.39	1.33
33	4.13	3.67	3.30	3.00	2.75	2.54	2.36	2.20	2.06	1.94	1.83	1.74	1.65	1.57	1.50	1.43	1.38
34	4.25	3.78	3.40	3.09	2.83	2.62	2.43	2.27	2.13	2.00	1.89	1.79	1.70	1.62	1.55	1.48	1.42
35	4.38	3.89	3.50	3.18	2.92	2.69	2.50	2.33	2.19	2.06	1.94	1.84	1.75	1.67	1.59	1.52	1.46
36	4.50	4.00	3.60	3.27	3.00	2.77	2.57	2.40	2.25	2.12	2.00	1.89	1.80	1.71	1.64	1.57	1.50
37	4.63	4.11	3.70	3.36	3.08	2.85	2.64	2.47	2.31	2.18	2.06	1.95	1.85	1.76	1.68	1.61	1.54
38	4.75	4.22	3.80	3.46	3.17	2.92	2.71	2.53	2.38	2.24	2.11	2.00	1.90	1.81	1.73	1.65	1.58
39	4.88	4.33	3.90	3.55	3.25	3.00	2.79	2.60	2.44	2.29	2.17	2.05	1.95	1.86	1.77	1.70	1.63
40	5.00	4.44	4.00	3.64	3.33	3.08	2.86	2.67	2.50	2.35	2.22	2.11	2.00	1.90	1.82	1.74	1.67
41	5.13	4.56	4.10	3.73	3.42	3.15	2.93	2.73	2.56	2.41	2.28	2.16	2.05	1.95	1.86	1.78	1.71
42	5.25	4.67	4.20	3.82	3.50	3.23	3.00	2.80	2.63	2.47	2.33	2.21	2.10	2.00	1.91	1.83	1.75
43	5.38	4.78	4.30	3.91	3.58	3.31	3.07	2.87	2.69	2.53	2.39	2.26	2.15	2.05	1.95	1.87	1.79
44	5.50	4.89	4.40	4.00	3.67	3.38	3.14	2.93	2.75	2.59	2.44	2.32	2.20	2.10	2.00	1.91	1.83
45	5.63	5.00	4.50	4.09	3.75	3.46	3.21	3.00	2.81	2.65	2.50	2.37	2.25	2.14	2.05	1.96	1.88
46	5.75	5.11	4.60	4.18	3.83	3.54	3.29	3.07	2.88	2.71	2.56	2.42	2.30	2.19	2.09	2.00	1.92
47	5.88	5.22	4.70	4.27	3.92	3.62	3.36	3.13	2.94	2.76	2.61	2.47	2.35	2.24	2.14	2.04	1.96
48	6.00	5.33	4.80	4.36	4.00	3.69	3.43	3.20	3.00	2.82	2.53	2.67	2.40	2.29	2.18	2.09	2.00
49	6.13	5.44	4.90	4.46	4.08	3.77	3.50	3.27	3.06	2.88	2.72	2.58	2.45	2.33	2.23	2.13	2.04
50	6.25	5.56	5.00	4.55	4.17	3.85	3.57	3.33	3.13	2.94	2.78	2.63	2.50	2.38	2.27	2.17	2.08
51	6.38	5.67	5.10	4.64	4.25	3.92	3.64	3.40	3.19	3.00	2.83	2.68	2.55	2.43	2.32	2.22	2.13
52	6.50	5.78	5.20	4.73	4.33	4.00	3.71	3.47	3.25	3.06	2.89	2.74	2.60	2.48	2.36	2.26	2.17
53	6.63	5.89	5.30	4.82	4.42	4.08	3.79	3.53	3.31	3.12	2.94	2.79	2.65	2.52	2.41	2.30	2.241
54	6.75	6.00	5.40	4.91	4.50	4.15	3.86	3.60	3.38	3.18	3.00	2.84	2.70	2.57	2.45	2.35	2.25
55	6.88	6.11	5.50	5.00	4.58	4.23	3.93	3.67	3.44	3.24	3.06	2.89	2.75	2.62	2.50	2.39	2.29
56	7.00	6.22	5.60	5.09	4.67	4.31	4.00	3.73	3.50	3.29	3.11	2.95	2.80	2.67	2.55	2.43	2.33
57	7.13	6.33	5.70	5.18	4.75	4.38	4.07	3.80	3.56	3.35	3.17	3.00	2.85	2.71	2.59	2.48	2.38
58	7.25	6.44	5.80	5.27	4.83	4.46	4.14	3.87	3.63	3.41	3.22	3.05	2.90	2.76	2.64	2.52	2.42
60	7.50	6.67	6.00	5.45	5.00	4.62	4.29	4.00	3.75	3.53	3.33	3.16	3.00	2.86	2.73	2.61	2.50
62	7.75	6.89	6.20	5.64	5.17	4.77	4.43	4.13	3.88	3.65	3.44	3.26	3.10	2.95	2.82	2.70	2.58
63	7.88	7.00	6.30	5.73	5.25	4.85	4.50	4.20	3.94	3.71	3.50	3.32	3.15	3.00	2.86	2.74	2.63
64	8.00	7.11	6.40	5.82	5.33	4.92	4.57	4.27	4.00	3.76	3.56	3.37	3.20	3.05	2.90	2.78	2.67
65	8.13	7.22	6.50	5.91	5.42	5.00	4.64	4.33	4.06	3.82	3.61	3.42	3.25	3.10	2.95	2.83	2.71
66	8.25	7.33	6.60	6.00	5.50	5.08	4.71	4.40	4.13	3.88	3.67	3.47	3.30	3.14	3.00	2.87	2.75
68	8.50	7.56	6.80	6.18	5.67	5.23	4.86	4.53	4.25	4.00	3.78	3.58	3.40	3.24	3.09	2.96	2.83
70	8.75	7.78	7.00	6.36	5.83	5.38	5.00	4.67	4.38	4.12	3.89	3.68	3.50	3.33	3.18	3.04	2.92
72	9.00	8.00	7.20	6.55	6.00	5.54	5.14	4.80	4.50	4.24	4.00	3.79	3.60	3.43	3.27	3.13	3.00
75	9.38	8.33	7.50	6.82	6.25	5.77	5.36	5.00	4.69	4.41	4.17	3.95	3.75	3.57	3.41	3.26	3.13
76	9.50	8.44	7.60	6.91	6.33	5.85	5.43	5.07	4.75	4.47	4.22	4.00	3.80	3.62	3.45	3.30	3.17
78	9.75	8.67	7.80	7.09	6.50	6.00	5.57	5.20	4.88	4.59	4.33	4.11	3.90	3.71	3.55	3.39	3.25
80	10.00	8.89	8.00	7.27	6.67	6.15	5.71	5.33	5.00	4.71	4.44	4.21	4.00	3.81	3.64	3.48	3.33
85	10.63	9.44	8.50	7.73	7.08	6.54	6.07	5.67	5.31	5.00	4.72	4.47	4.25	4.05	3.86	3.70	3.54
90	11.25	10.00	9.00	8.18	7.50	6.92	6.43	6.00	5.63	5.29	5.00	4.74	4.50	4.29	4.09	3.91	3.75
95	11.88	10.56	9.50	8.64	7.92	7.31	6.79	6.33	5.94	5.59	5.28	5.00	4.75	4.52	4.32	4.13	3.96
96	12.00	10.67	9.60	8.73	8.00	7.38	6.86	6.40	6.00	5.65	5.33	5.05	4.80	4.57	4.36	4.17	4.00
100	12.50	11.11	10.00	9.09	8.33	7.69	7.14	6.67	6.25	5.88	5.56	5.26	5.00	4.71	4.55	4.35	4.17
114	14.25	12.67	11.40	9.36	9.50	8.77	8.14	7.60	7.13	6.71	6.33	6.00	5.70	5.43	5.18	4.96	4.75
125	15.63	13.89	12.50	11.36	10.42	9.42	8.93	8.33	7.81	7.35	6.94	6.58	6.25	5.95	5.68	5.43	5.21

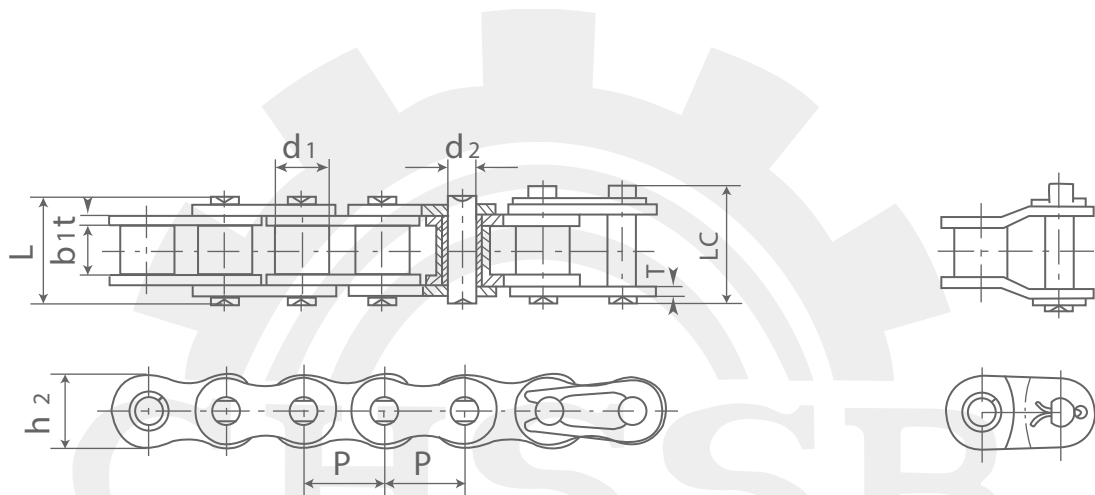
# Sprockets - Chain

Transmission Ratio Table		$r = \frac{Z_2}{Z_1}$														
Z <sub>2</sub>	Z <sub>1</sub>															
Z <sub>2</sub>	25	26	27	28	29	30	31	32	33	34	35	36	37	38	39	40
8	0.32	0.31	0.30	0.29	0.28	0.27	0.26	0.25	0.24	0.24	0.23	0.22	0.22	0.21	0.21	0.20
9	0.36	0.35	0.32	0.32	0.31	0.30	0.29	0.28	0.27	0.26	0.26	0.25	0.24	0.24	0.23	0.23
10	0.40	0.38	0.36	0.36	0.34	0.33	0.32	0.31	0.30	0.29	0.29	0.28	0.27	0.26	0.26	0.25
11	0.44	0.42	0.39	0.39	0.38	0.37	0.35	0.34	0.33	0.32	0.31	0.31	0.30	0.29	0.28	0.28
12	0.48	0.436	0.43	0.43	0.41	0.40	0.39	0.38	0.36	0.35	0.34	0.33	0.32	0.32	0.31	0.30
13	0.52	0.50	0.46	0.46	0.45	0.43	0.42	0.41	0.39	0.38	0.37	0.36	0.35	0.34	0.33	0.33
14	0.56	0.54	0.50	0.50	0.48	0.47	0.45	0.44	0.42	0.41	0.40	0.39	0.38	0.37	0.36	0.35
15	0.60	0.58	0.54	0.54	0.52	0.50	0.48	0.47	0.45	0.44	0.43	0.42	0.41	0.39	0.38	0.38
16	0.64	0.62	0.59	0.57	0.55	0.53	0.52	0.50	0.48	0.47	0.46	0.44	0.43	0.42	0.41	0.40
17	0.68	0.65	0.63	0.61	0.59	0.57	0.55	0.53	0.52	0.50	0.49	0.47	0.46	0.45	0.44	0.43
18	0.72	0.69	0.67	0.64	0.62	0.60	0.58	0.56	0.55	0.53	0.51	0.50	0.49	0.47	0.46	0.45
19	0.76	0.73	0.70	0.68	0.66	0.63	0.61	0.59	0.58	0.56	0.54	0.53	0.51	0.50	0.49	0.48
20	0.80	0.77	0.74	0.71	0.69	0.67	0.65	0.63	0.61	0.59	0.57	0.54	0.54	0.53	0.51	0.50
21	0.84	0.81	0.78	0.75	0.72	0.70	0.68	0.66	0.64	0.62	0.60	0.58	0.57	0.55	0.54	0.53
22	0.88	0.85	0.81	0.79	0.76	0.73	0.71	0.69	0.67	0.65	0.63	0.61	0.59	0.58	0.56	0.55
23	0.92	0.88	0.85	0.82	0.79	0.77	0.74	0.72	0.70	0.68	0.66	0.64	0.62	0.61	0.59	0.58
24	0.96	0.92	0.89	0.86	0.83	0.80	0.77	0.75	0.73	0.71	0.69	0.67	0.65	0.63	0.62	0.60
25	1.00	0.96	0.93	0.89	0.86	0.83	0.81	0.78	0.76	0.74	0.71	0.69	0.68	0.66	0.64	0.63
26	1.04	1.00	0.96	0.93	0.90	0.87	0.84	0.81	0.79	0.76	0.74	0.72	0.70	0.68	0.67	0.65
27	1.08	1.04	1.00	0.96	0.93	0.90	0.87	0.84	0.82	0.79	0.77	0.75	0.73	0.69	0.69	0.68
28	1.12	1.08	1.04	1.00	0.97	0.93	0.90	0.88	0.85	0.82	0.80	0.78	0.76	0.74	0.72	0.70
29	1.16	1.12	1.07	1.04	1.00	0.97	0.94	0.91	0.88	0.85	0.83	0.81	0.78	0.76	0.74	0.73
30	1.20	1.15	1.11	1.07	1.03	1.00	0.97	0.94	0.91	0.88	0.86	0.83	0.81	0.79	0.77	0.75
31	1.24	1.19	1.15	1.11	1.07	1.03	1.00	0.97	0.94	0.91	0.89	0.86	0.84	0.82	0.79	0.78
32	1.28	1.23	1.19	1.14	1.10	1.07	1.03	1.00	0.97	0.94	0.91	0.89	0.86	0.84	0.82	0.80
33	1.32	1.27	1.22	1.18	1.14	1.10	1.06	1.03	1.00	0.97	0.94	0.92	0.89	0.87	0.85	0.83
34	1.36	1.31	1.26	1.21	1.17	1.13	1.10	1.06	1.03	1.00	0.97	0.94	0.92	0.89	0.87	0.85
35	1.40	1.35	1.30	1.25	1.21	1.17	1.13	1.09	1.06	1.03	1.00	0.97	0.95	0.92	0.90	0.88
36	1.44	1.38	1.33	1.29	1.24	1.20	1.16	1.13	1.09	1.06	1.03	1.00	0.97	0.95	0.92	0.90
37	1.48	1.42	1.37	1.32	1.28	1.23	1.19	1.16	1.12	1.09	1.06	1.03	1.00	0.97	0.95	0.93
38	1.52	1.46	1.41	1.36	1.31	1.27	1.23	1.19	1.15	1.12	1.09	1.06	1.03	1.00	0.97	0.95
39	1.56	1.50	1.44	1.39	1.34	1.30	1.26	1.22	1.18	1.15	1.11	1.08	1.05	1.03	1.00	0.98
40	1.60	1.54	1.48	1.43	1.38	1.33	1.29	1.25	1.21	1.18	1.14	1.11	1.08	1.05	1.03	1.00
41	1.64	1.58	1.52	1.46	1.41	1.37	1.32	1.28	1.24	1.21	1.17	1.14	1.11	1.08	1.05	1.03
42	1.68	1.62	1.56	1.50	1.45	1.40	1.35	1.31	1.27	1.24	1.20	1.17	1.14	1.11	1.08	1.05
43	1.72	1.65	1.59	1.54	1.48	1.43	1.39	1.34	1.30	1.26	1.23	1.19	1.16	1.13	1.10	1.08
44	1.76	1.69	1.63	1.57	1.52	1.47	1.42	1.38	1.33	1.29	1.26	1.22	1.19	1.16	1.13	1.10
45	1.80	1.73	1.67	1.61	1.55	1.50	1.45	1.41	1.36	1.32	1.29	1.25	1.22	1.18	1.15	1.13
46	1.84	1.77	1.70	1.64	1.59	1.53	1.48	1.44	1.39	1.35	1.31	1.28	1.24	1.21	1.18	1.15
47	1.88	1.81	1.74	1.68	1.62	1.57	1.52	1.47	1.42	1.38	1.34	1.31	1.27	1.24	1.21	1.18
48	1.92	1.85	1.78	1.71	1.66	1.60	1.55	1.50	1.45	1.41	1.37	1.33	1.30	1.26	1.23	1.20
49	1.96	1.88	1.81	1.75	1.69	1.63	1.58	1.53	1.48	1.44	1.40	1.36	1.32	1.29	1.26	1.23
50	2.00	1.92	1.85	1.79	1.71	1.67	1.61	1.56	1.52	1.47	1.43	1.39	1.35	1.32	1.28	1.25
51	2.04	1.96	1.89	1.82	1.76	1.70	1.65	1.59	1.55	1.50	1.46	1.42	1.38	1.34	1.31	1.28
52	2.08	2.00	1.93	1.86	1.79	1.73	1.68	1.63	1.58	1.53	1.49	1.44	1.41	1.37	1.33	1.30
53	2.12	2.04	1.96	1.89	1.83	1.77	1.71	1.66	1.61	1.56	1.51	1.47	1.43	1.39	1.36	1.33
54	2.16	2.08	2.00	1.93	1.86	1.80	1.74	1.69	1.64	1.59	1.54	1.50	1.46	1.42	1.38	1.35
55	2.20	2.12	2.04	1.96	1.90	1.83	1.77	1.72	1.67	1.62	1.57	1.53	1.49	1.45	1.41	1.38
56	2.24	2.15	2.07	2.00	1.93	1.87	1.81	1.75	1.70	1.65	1.60	1.56	1.51	1.47	1.44	1.40
57	2.28	2.19	2.11	2.04	1.97	1.90	1.84	1.78	1.73	1.68	1.63	1.58	1.54	1.50	1.46	1.43
58	2.32	2.23	2.15	2.07	2.00	1.93	1.87	1.81	1.76	1.71	1.66	1.61	1.57	1.53	1.49	1.45
60	2.40	2.31	2.22	2.14	2.07	2.00	1.94	1.88	1.82	1.76	1.71	1.67	1.63	1.58	1.54	1.50
62	2.48	2.38	2.30	2.21	2.14	2.07	2.00	1.94	1.88	1.82	1.77	1.72	1.68	1.63	1.59	1.55
63	2.52	2.42	2.33	2.25	2.17	2.10	2.03	1.97	1.91	1.85	1.80	1.75	1.70	1.66	1.62	1.58
64	2.56	2.46	2.37	2.29	2.21	2.13	2.06	2.00	1.94	1.88	1.83	1.78	1.73	1.68	1.64	1.60
65	2.60	2.50	2.41	2.32	2.24	2.17	2.09	2.03	1.97	1.91	1.86	1.81	1.76	1.71	1.67	1.63
66	2.64	2.54	2.44	2.36	2.28	2.20	2.13	2.06	2.00	1.94	1.89	1.83	1.78	1.74	1.69	1.65
68	2.72	2.62	2.52	2.43	2.34	2.27	2.19	2.13	2.06	2.00	1.94	1.89	1.84	1.79	1.74	1.70
70	2.80	2.69	2.59	2.50	2.41	2.33	2.20	2.26	2.19	2.06	2.00	1.94	1.89	1.84	1.79	1.75
72	2.88	2.77	2.67	2.57	2.48	2.40	2.32	2.25	2.18	2.12	2.06	2.00	1.95	1.89	1.85	1.80
75	3.00	2.88	2.78	2.68	2.59	2.50	2.42	2.34	2.27	2.21	2.14	2.08	2.03	1.97	1.92	1.88
76	3.04	2.92	2.81	2.71	2.62	2.53	2.45	2.38	2.30	2.24	2.17	2.11	2.05	2.00	1.95	1.90
78	3.12	3.00	2.89	2.79	2.69	2.60	2.52	2.44	2.36	2.29	2.23	2.17	2.11	2.05	2.00	1.95
80	3.20	3.10	2.96	2.86	2.76	2.67	2.58	2.50	2.42	2.35	2.29	2.22	2.16	2.11	2.05	2.00
85	3.40	3.27	3.15	3.04	2.93	2.83	2.74	2.66	2.58	2.50	2.43	2.36	2.30	2.24	2.18	2.13
90	3.60	3.46	3.33	3.21	3.10	3.00	2.90	2.81	2.73	2.65	2.57	2.50	2.43	2.37	2.31	2.25
95	3.80	3.65	3.52	3.39	3.28	3.17	3.06	2.97	2.88	2.79	2.71	2.64	2.57	2.50	2.44	2.38
96	3.84	3.69	3.56	3.43	3.31	3.20	3.10	3.00	2.91	2.82	2.74	2.67	2.59	2.53	2.46	2.40
100	4.00	3.85	3.70	3.57	3.45	3.33	3.23	3.13	3.03	2.94	2.86	2.78	2.70	2.63	2.56	2.50
114	4.56	4.38	4.22	4.07	3.93	3.80	3.68	3.56	3.45	3.35	3.26	3.17	3.08	3.00	2.92	2.85
125	5.00	4.81	4.63	4.46	4.31	4.17	4.03	3.91	3.79	3.68	3.57	3.47	3.38	3.29	3.21	3.13

# Sprockets - Chain

DIN8187-ISO606

Short pitch precision roller chains



## Simplex roller chains

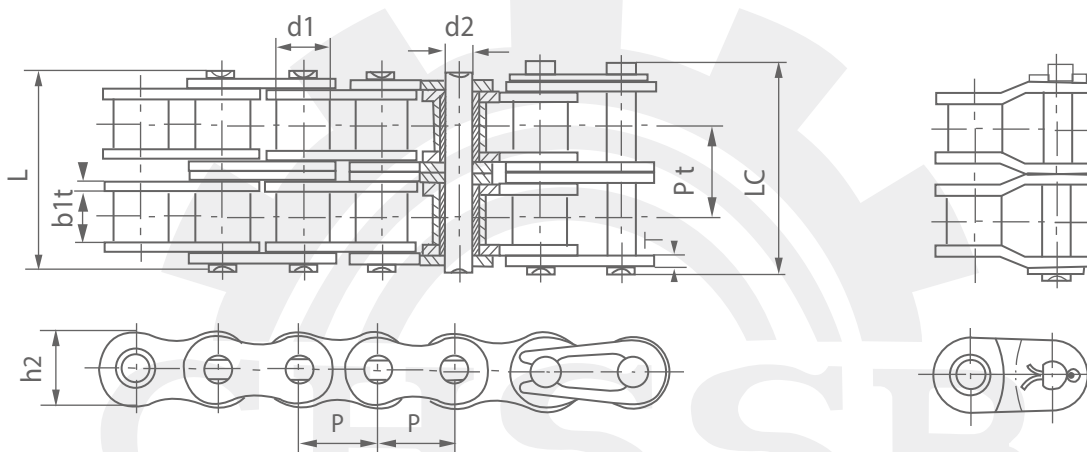
DIN ISO Chain No.	Pitch	Roller diameter	Width between inner plates	Pin diameter	Pin length		Inner plate depth	Plate thickness	Ultimate tensile strength	Average tensile strength	Weight per meter
	P	d <sub>1</sub> max	b <sub>1</sub> min	d <sub>2</sub> max	L max	L <sub>c</sub> max	h <sub>2</sub> max	t/T max	Q min	Q <sub>0</sub>	q
	mm	mm	mm	mm	mm	mm	mm	mm	kN	kN	kg/m
04B-1	6.000	4.00	2.80	1.85	6.80	7.8	5.00	0.60	3.0	3.2	0.11
05B-1	8.000	5.00	3.00	2.31	8.20	8.9	7.10	0.80	5.0	5.9	0.20
*06B-1	9.525	6.35	5.72	3.28	13.15	14.1	8.20	1.30	9.0	10.4	0.41
08B-1	12.700	8.51	7.75	4.45	16.70	18.2	11.80	1.60	18.0	19.4	0.69
10B-1	15.875	10.16	9.65	5.08	19.50	20.9	14.70	1.70	22.4	27.5	0.93
12B-1	19.050	12.07	11.68	5.72	22.50	24.2	16.00	1.85	29.0	32.2	1.15
16B-1	25.400	15.88	17.02	8.28	36.10	37.4	21.00	4.15-3.1	60.0	72.8	2.71
20B-1	31.750	19.50	19.56	10.19	41.30	45.0	26.40	4-5/3.5	95.0	106.7	3.70
24B-1	38.100	25.40	25.40	14.63	53.40	57.8	33.20	6.0/4.8	160.0	178.0	7.10
28B-1	44.450	27.94	30.99	15.90	65.10	69.5	36.70	7.5/6.0	200.0	222.0	8.50
32B-1	50.800	29.21	30.99	17.81	66.00	71.0	42.00	7.0/6.0	250.0	277.5	10.25
40B-1	63.500	39.37	38.10	22.89	82.20	89.2	52.96	8.5/8.0	355.0	394.0	16.35
48B-1	76.200	48.26	45.72	29.24	99.10	107.0	63.80	12/10	560.0	621.6	25.00

\*Straight side plates

# Sprockets - Chain

DIN8187-ISO606

Short pitch precision roller chains



## Duplex roller chains

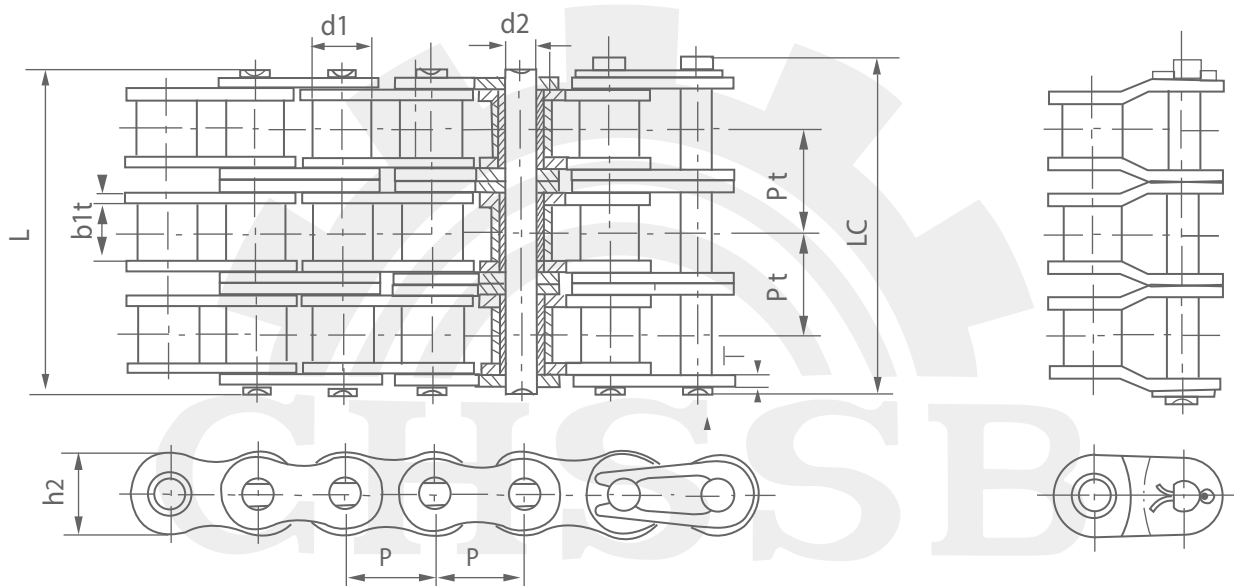
DIN ISO Chain No.	Pitch	Roller diameter	Width between inner plates	Pin diameter	Pin length		Inner plate depth	Plate thickness	Transverse pitch	Ultimate tensile strength	Average tensile strength	Weight per meter
	P	d <sub>1</sub> max	b <sub>1</sub> min	d <sub>2</sub> max	L max	L <sub>c</sub> max	h <sub>2</sub> max	t/T max	P <sub>1</sub>	Q <sub>min</sub>	Q <sub>0</sub>	q
	mm	mm	mm	mm	mm	mm	mm	mm	mm	kN	kN	kg/m
05B-2	8.000	5.00	3.00	2.31	13.9	14.5	7.10	0.80	5.64	7.8	10.2	0.33
*06B-2	9.525	6.35	5.72	3.28	23.4	24.4	8.20	1.30	10.24	16.9	18.7	0.77
08B-2	12.700	8.51	7.75	4.45	31.2	32.2	11.80	1.60	13.92	32.0	38.7	1.34
10B-2	15.875	10.16	9.65	5.08	36.1	37.5	14.70	1.70	16.59	44.5	56.2	1.84
12B-2	19.050	12.07	11.68	5.72	42.0	43.6	16.00	1.85	19.46	57.8	66.1	2.31
16B-2	25.400	15.88	17.02	8.28	68.0	69.3	21.00	4-15/3.1	31.88	106.0	133.0	5.42
20B-2	31.750	19.05	19.56	10.19	77.8	81.5	26.40	4.5/3.5	36.45	170.0	211.2	7.20
24B-2	38.100	25.40	25.40	14.63	101.7	106.2	33.20	6.0/4.8	48.36	280.0	319.2	13.40
28B-2	44.450	27.94	30.99	15.90	124.6	129.1	36.70	7.5/6.0	59.56	360.0	406.8	16.60
32B-2	50.800	29.21	30.99	17.81	124.6	129.6	42.00	7.0/6.0	58.55	450.0	508.5	21.00
40B-2	63.500	39.37	38.10	22.89	154.5	161.5	52.96	8.5/8.0	72.29	630.0	711.9	32.00
48B-2	76.200	48.26	45.72	29.24	190.4	198.2	63.80	12/10	91.21	1000.0	1130.0	50.00

\*Straight side plates

# Sprockets - Chain

DIN8187-ISO606

Short pitch precision roller chains



## Triplex roller chains

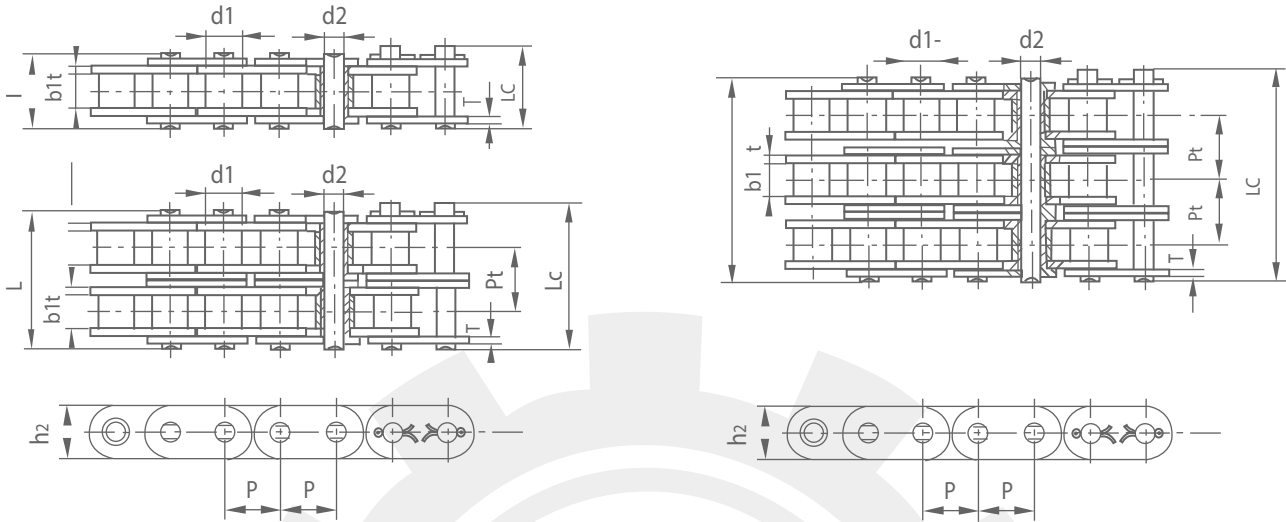
DIN ISO Chain No.	Pitch	Roller diameter	Width between inner plates	Pin diameter	Pin length		Inner plate depth	Plate thickness	Transverse pitch	Ultimate tensile strength	Average tensile strength	Weight per meter
	P	d <sub>1</sub> max	b <sub>1</sub> min	d <sub>2</sub> max	L max	L <sub>c</sub> max	h <sub>2</sub> max	t/T max	P <sub>1</sub>	Q <sub>min</sub>	Q <sub>0</sub>	q
	mm	mm	mm	mm	mm	mm	mm	mm	mm	kN	kN	kg/m
05B-3	8.000	5.00	3.00	2.31	19.5	20.2	7.10	0.80	5.64	11.1	13.8	0.48
*06B-3	9.525	6.35	5.72	3.28	33.5	34.6	8.20	1.30	10.24	24.9	30.1	1.16
08B-3	12.700	8.51	7.75	4.45	45.1	46.1	11.80	1.60	13.92	47.5	57.8	2.03
10B-3	15.875	10.16	9.65	5.08	52.7	54.1	14.70	1.70	16.59	66.7	84.5	2.77
12B-3	19.050	12.07	11.68	5.72	61.5	63.1	16.00	1.85	19.46	86.7	101.8	3.46
16B-3	25.400	15.88	17.02	8.28	99.8	101.2	21.00	4.15/3.1	31.88	160.0	203.7	8.13
20B-3	31.750	19.05	19.56	10.19	114.2	117.9	26.40	4.5/3.5	36.45	250.0	290.0	10.82
24B-3	38.100	25.40	25.40	14.63	150.1	154.6	33.20	6.0-4.8	48.36	425.0	493.0	20.10
28B-3	44.450	27.94	30.99	15.90	184.2	188.7	36.70	7.5/6.0	59.56	530.0	609.5	24.92
32B-3	50.800	29.21	30.99	17.81	183.2	188.2	42.00	7.0/6.0	58.55	670.0	770.5	31.56
40B-3	63.500	39.37	38.10	22.89	226.8	233.8	52.96	8.5/8.0	72.29	950.0	1092.5	48.10
48B-3	76.200	48.26	45.72	29.24	281.6	289.4	63.80	12/10	91.21	1500.0	1710.0	75.00

\*Straight side plates

# Sprockets - Chain

DIN8187-ISO606

Roller chains with straight side plates

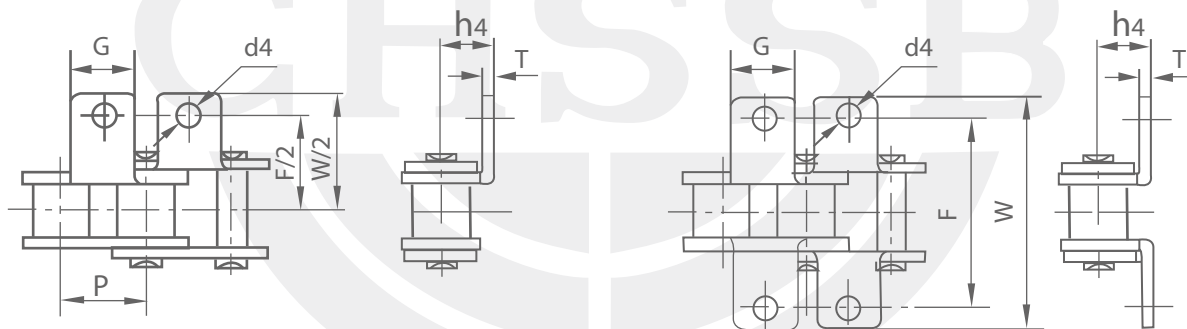
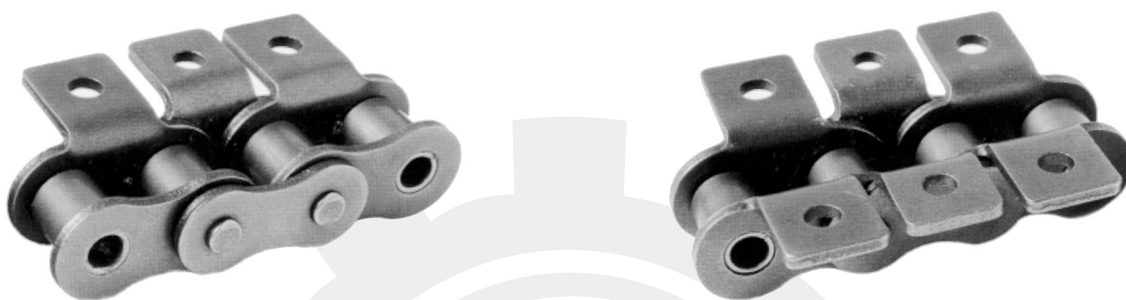


DIN ISO Chain No.	Pitch	Roller diameter	Width between inner plates	Pin diameter	Pin length		Inner plate depth	Plate thickness	Transverse pitch	Ultimate tensile strength	Average tensile strength	Weight per meter
	P	$d_1$ max	$b_1$ min	$d_2$ max	L max	$L_c$ max	$h_2$ max	t/T max	$P_1$	Q min	$Q_0$	q
	mm	mm	mm	mm	mm	mm	mm	mm	mm	kN	kN	kg/m
C08B-1	12.700	8.51	7.75	4.45	16.7	18.2	11.8	1.60		18.0	19.5	0.80
C10B-1	15.875	10.16	9.65	5.08	19.5	20.9	14.7	1.70		22.4	27.9	1.06
C12B-1	19.050	12.07	11.68	5.27	22.5	25.2	16.0	1.85		29.0	32.2	1.32
C16B-1	25.400	15.88	17.02	8.28	36.1	39.1	21.0/24.0	4.15/3.1		60.0	72.8	3.08/3.49
C20B-1	31.750	19.05	19.56	10.19	41.3	45.0	26.4	4.5/3.5		95.0	106.7	4.16
C24B-1	38.100	25.40	25.40	14.63	53.4	57.8	33.2	6.0/4.8		160.0	178.0	7.47
C28B-1	44.450	27.94	30.99	15.90	65.1	69.5	36.7	7.5/6.0		200.0	222.0	9.90
C32B-1	50.800	29.21	30.99	17.81	66.0	71.0	42.0	7.0/6.0		250.0	277.5	10.45
C08B-2	12.700	8.51	7.75	4.45	31.2	32.2	11.8	1.60	13.92	32.0	38.7	1.45
C10B-2	15.875	10.16	9.65	5.08	36.1	37.5	14.7	1.70	16.59	44.5	57.8	2.00
C12B-2	19.050	12.07	11.68	5.72	42.0	44.7	16.0	1.85	19.46	57.8	66.0	2.62
C16B-2	25.400	15.88	17.02	8.28	68.0	71.0	21.0/24.0	4.15/3.1	31.88	106.0	133.0	6.10/6.92
C20B-2	31.750	19.05	19.56	10.19	77.8	81.5	26.4	4.5/3.5	36.45	170.0	211.2	8.23
C24B-2	38.100	25.40	25.40	14.63	101.7	106.2	33.2	6.0/4.8	48.36	280.0	319.2	14.77
C28B-2	44.450	27.94	30.99	15.90	124.6	129.1	36.7	7.5/6.0	59.56	360.0	406.8	19.82
C32B-2	50.800	29.21	60.99	17.81	124.6	129.6	42.0	7.0/6.0	58.55	450.0	508.5	20.94
C08B-3	12.700	8.51	7.75	4.45	45.1	46.1	11.8	1.60	13.92	47.5	57.8	2.10
C10B-3	15.875	10.16	9.65	5.08	52.7	54.1	14.7	1.70	16.59	66.7	84.5	2.87
C12B-3	19.050	12.07	11.68	5.72	61.5	64.2	16.0	1.85	19.46	86.7	101.8	3.89
C16B-3	25.400	15.88	17.02	8.28	99.8	102.9	21.0/24.0	4.15/3.1	31.88	160.0	203.7	9.12/10.34
C20B-3	31.750	19.05	19.56	10.19	114.2	117.9	26.4	4.5/3.5	36.45	250.0	290.0	11.34
C24B-3	38.100	25.40	25.40	14.63	150.1	154.6	33.2	6.0/4.8	48.36	425.0	493.0	22.10
C28B-3	44.450	27.94	30.99	15.90	184.2	188.7	36.7	7.5/6.0	59.56	530.0	609.5	29.64
C32B-3	50.800	29.21	30.99	17.81	183.2	188.2	42.0	7.0/6.0	58.55	670.0	770.5	31.27

# Sprockets - Chain

DIN8187-ISO606

Short pitch conveyor chain attachments



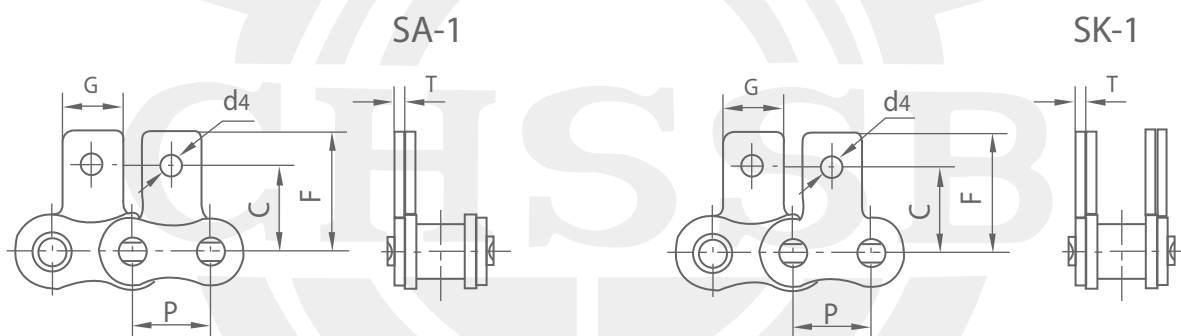
DIN ISO Chain No.	P	G	F	W	T	h <sub>4</sub>	d <sub>4</sub>
	mm	mm	mm	mm	mm	mm	mm
*06B	9.525	8.0	19.04	27.0	1.30	6.50	3.5
08B	12.700	9.5	25.40	36.4	1.60	8.90	4.5
10B	15.875	14.3	31.75	44.6	1.70	10.31	5.3
12B	19.050	16.0	38.10	52.4	1.85	13.46	6.4
16B	25.400	19.1	50.80	72.6	3.10	15.88	6.4



# Sprockets - Chain

DIN8187-ISO606

Short pitch conveyor chain attachments



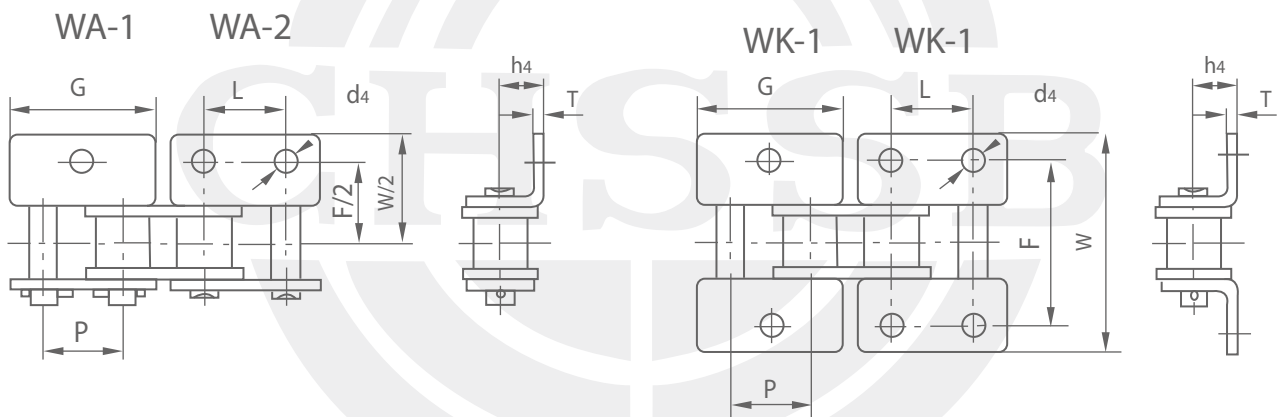
DIN ISO Chain No.	P	G	F	W	T	d <sub>4</sub>
	mm	mm	mm	mm	mm	mm
*06B	9.525	8.0	9.52	13.50	1.30	3.5
08B	12.700	9.5	13.35	18.90	1.60	4.5
10B	15.875	14.3	16.50	22.95	1.70	5.3
12B	19.050	16.0	21.45	28.60	1.85	6.4
16B	25.400	19.1	23.15	34.00	3.10	6.4

\*Straight side plates

# Sprockets - Chain

DIN8187-ISO606

Short pitch conveyor chain attachments

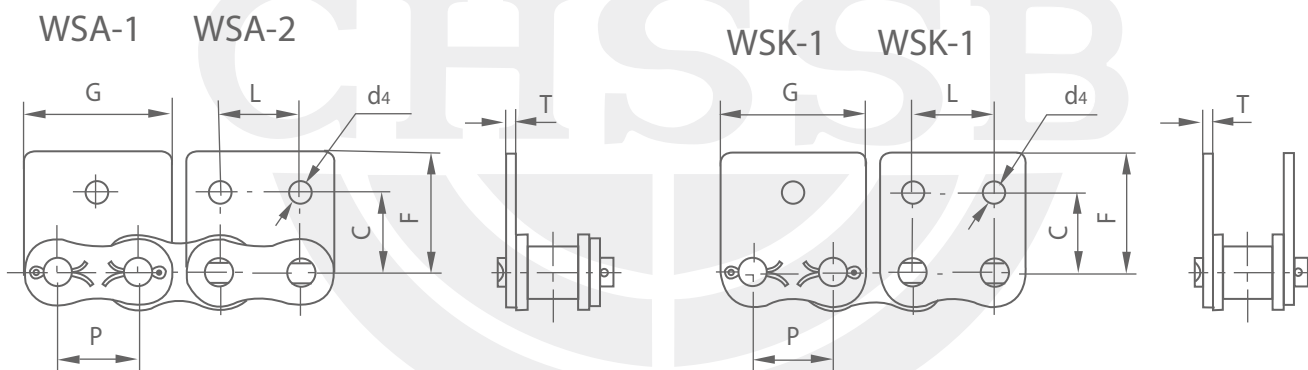
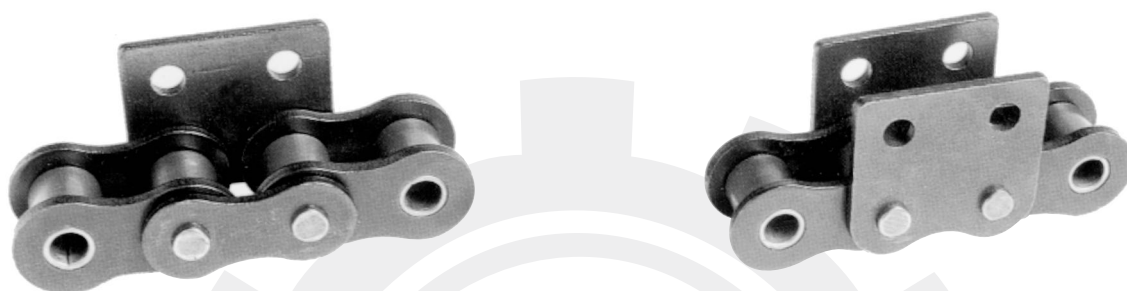


DIN ISO Chain No.	P	G	L	F	W	T	h <sub>4</sub>	d <sub>4</sub>
	mm	mm	mm	mm	mm	mm	mm	mm
08B	12.700	23.30	12.700	25.4	36.4	1.60	8.90	4.3
10B	15.875	29.58	15.875	31.8	44.6	1.70	10.31	5.3
12B	19.050	34.05	19.050	38.0	52.4	1.85	13.46	6.4
16B	25.400	46.40	25.400	50.8	72.6	3.10	15.88	6.4

# Sprockets - Chain

DIN8187-ISO606

Short pitch conveyor chain attachments



DIN ISO Chain No.	P	G	L	C	F	T	d4
	mm	mm	mm	mm	mm	mm	mm
08B	12.700	23.30	12.700	13.35	18.90	1.60	4.3
10B	15.875	29.58	15.875	16.50	22.95	1.70	5.3
12B	19.050	34.05	19.050	21.45	28.60	1.85	6.4
16B	25.400	46.40	25.400	23.15	34.00	3.10	6.4

# Sprockets - Chain

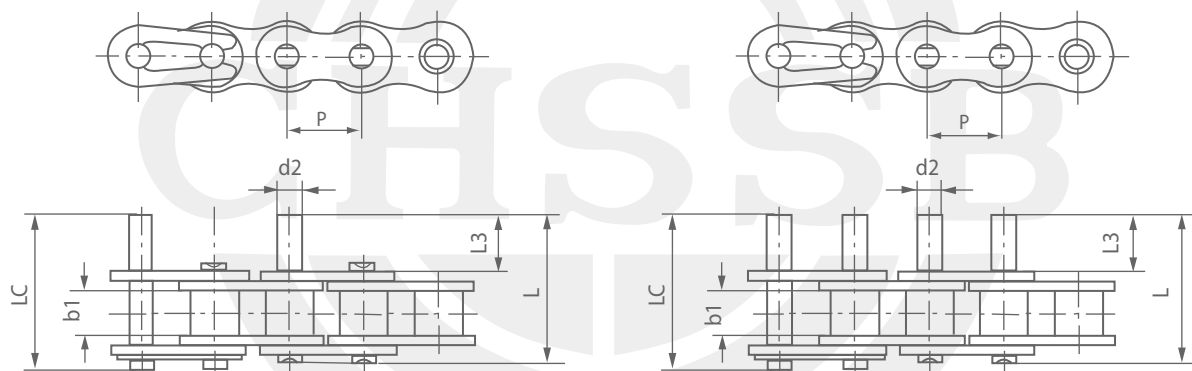
DIN8187-ISO606

Short pitch conveyor chain attachments



D-1

D-1



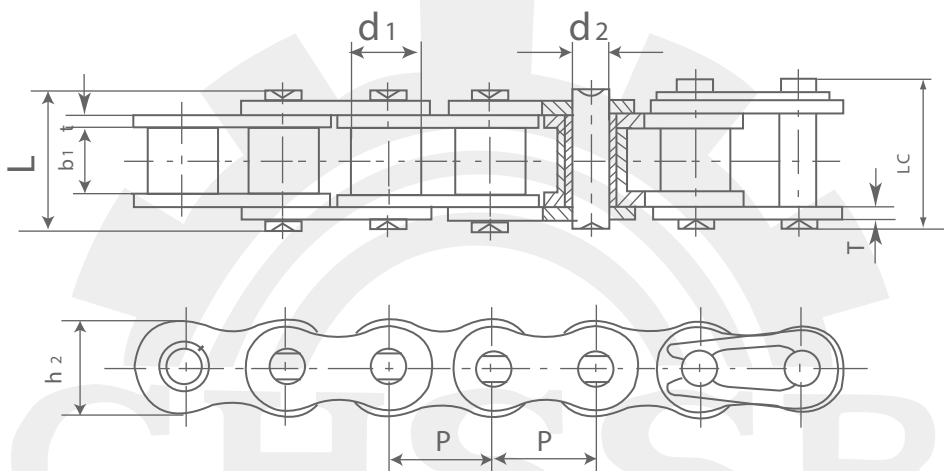
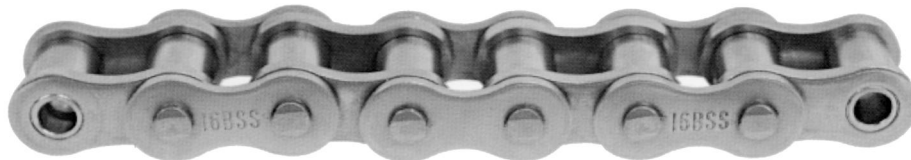
DIN ISO Chain No.	P	b <sub>1</sub>	d <sub>2</sub>	L <sub>3</sub>	L	L <sub>c</sub>
	mm	mm	mm	mm	mm	mm
08B	12.700	7.75	4.45	9.5	25.1	26.6
10B	15.875	9.65	5.08	11.9	30.1	31.5
12B	19.050	11.68	5.72	14.3	35.4	37.1
16B	25.400	17.02	8.28	19.1	53.0	54.3

# Sprockets - Chain

DIN8187-ISO606

## Stainless steel chains

Stainless steel chains are suitable for corrosive conditions involving food, chemicals pharmaceutical etc. also suitable for high and low temperature conditions.



### DONGHUA-CHAINS

DIN ISO Chain No.	Pitch	Roller diameter	Width between inner plates	Pin diameter	Pin length		Inner plate depth	Plate thickness	Ultimate tensile strength	Average tensile strength	Weight per meter
	P	d <sub>1</sub> max	b <sub>1</sub> min	d <sub>2</sub> max	L max	L <sub>c</sub> max	h <sub>2</sub> max	t/T max	Q min	Q <sub>0</sub>	q
	mm	mm	mm	mm	mm	mm	mm	mm	kN	kN	kg/m
*35SS	9.525	5.08	4.77	3.58	12.4	13.17	9.00	1.30	5.5	6.6	0.33
40SS	12.700	7.95	7.85	3.96	16.6	17.8	12.00	1.50	9.7	10.8	0.63
50SS	15.875	10.16	9.40	5.08	20.7	22.2	15.09	2.03	15.3	18.5	1.03
60SS	19.050	11.91	12.57	5.94	25.9	27.7	18.00	2.42	21.7	26.4	1.51
80SS	25.400	15.88	15.75	7.92	32.7	35.0	24.00	3.25	38.9	46.6	2.62
100SS	31.750	19.05	18.90	9.53	40.4	44.7	30.00	4.00	59.0	70.2	3.94
04BSS	6.000	4.00	2.80	1.85	6.80	7.8	5.00	0.60	2.0	2.4	0.11
05BSS	8.000	5.00	3.00	2.31	8.20	8.9	7.10	0.80	3.5	4.1	0.20
#06BSS	9.525	6.35	5.72	3.28	13.15	14.1	8.20	1.30	6.2	7.3	0.41
08BSS	12.700	8.51	7.75	4.45	16.7	18.2	11.80	1.60	12.0	14.3	0.70
10BSS	15.875	10.16	9.65	5.08	19.5	20.9	14.70	1.70	14.5	17.2	0.94
12BSS	19.050	12.07	11.68	5.72	22.5	24.2	16.00	1.85	18.5	22	1.16
16BSS	25.400	15.88	17.02	8.28	36.1	37.4	21.00	4.15/3.1	40.0	47.6	2.13
20BSS	31.750	19.05	19.56	10.19	41.3	45.0	26.40	4.5/3.5	59.0	69.6	3.73

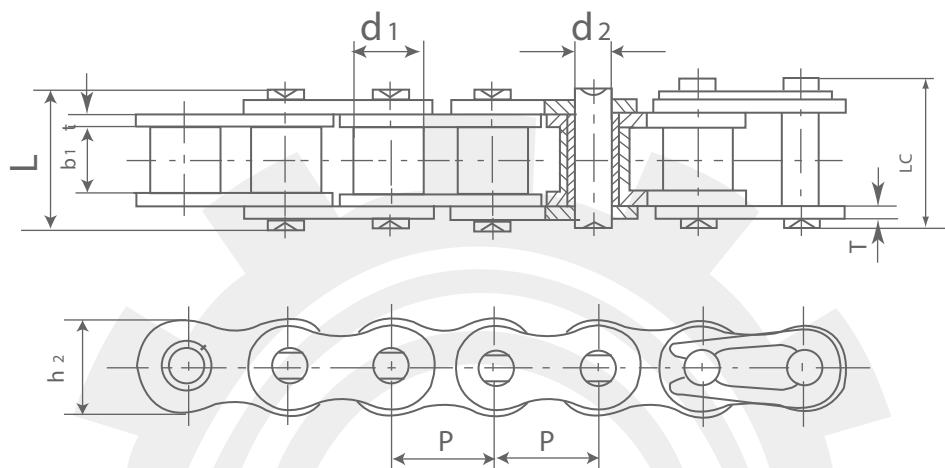
\*Bushing chain: d<sub>1</sub> in the table indicates the external diameter of the bushing  
#Straight side plates

# Sprockets - Chain

DIN8187-ISO606

## Nickel-plated chains

Nickel-plated chains are suitable for outdoor conditions such as exposure to rain



DIN ISO Chain No.	Pitch	Roller diameter	Width between inner plates	Pin diameter	Pin length		Inner plate depth	Plate thickness	Ultimate tensile strength	Average tensile strength	Weight per meter
	P	d <sub>1</sub> max	b <sub>1</sub> min	d <sub>2</sub> max	L max	L <sub>c</sub> max	h <sub>2</sub> max	t/T max	Q min	Q <sub>0</sub>	q
	mm	mm	mm	mm	mm	mm	mm	mm	kN	kN	kg/m
*25NP	6.350	3.30	3.18	2.31	7.90	8.40	6.00	0.80	3.50	4.6	0.15
*35NP	9.525	5.08	4.77	3.58	12.40	13.17	9.00	1.30	7.90	10.8	0.33
41NP	12.700	7.77	6.25	3.58	13.75	15.00	9.91	1.30	6.67	11.8	0.41
40NP	12.700	7.95	7.85	3.96	16.60	17.80	12.00	1.50	14.10	17.0	0.62
50NP	15.875	10.16	9.40	5.08	20.70	22.20	15.09	2.03	22.20	29.4	1.02
60NP	19.050	11.91	12.57	5.94	25.90	27.70	18.00	2.42	31.80	38.8	1.50
80NP	25.400	15.88	15.75	7.92	32.70	35.00	24.00	3.25	56.70	69.4	2.60
100NP	31.750	19.05	18.90	9.53	40.40	44.70	30.00	4.00	88.50	109.2	3.91
04BNP	6.000	4.00	2.80	1.85	6.80	7.80	5.00	0.60	3.00	3.2	0.11
05BNP	8.000	5.00	3.00	2.31	8.20	8.90	7.10	0.80	5.00	5.9	0.20
#06BNP	9.525	6.35	5.72	3.28	13.15	14.10	8.20	1.30	9.00	10.0	0.41
08BNP	12.700	8.51	7.75	4.45	16.70	18.20	11.80	1.60	18.00	19.4	0.69
10BNP	15.875	10.16	9.65	5.08	19.50	20.90	14.70	1.70	22.40	26.5	0.93
12BNP	19.050	12.07	11.68	5.72	22.50	24.20	16.00	1.85	29.00	32.2	1.15
16BNP	25.400	15.88	17.02	8.28	36.10	37.40	21.00	4.15/3.1	60.00	70.8	2.71
20BNP	31.750	19.05	19.56	10.19	41.30	45.00	26.40	4.5/3.5	95.00	101.3	3.70

\*Bushing chain: d<sub>1</sub> in the table indicates the external diameter of the bushing

#Straight side plates

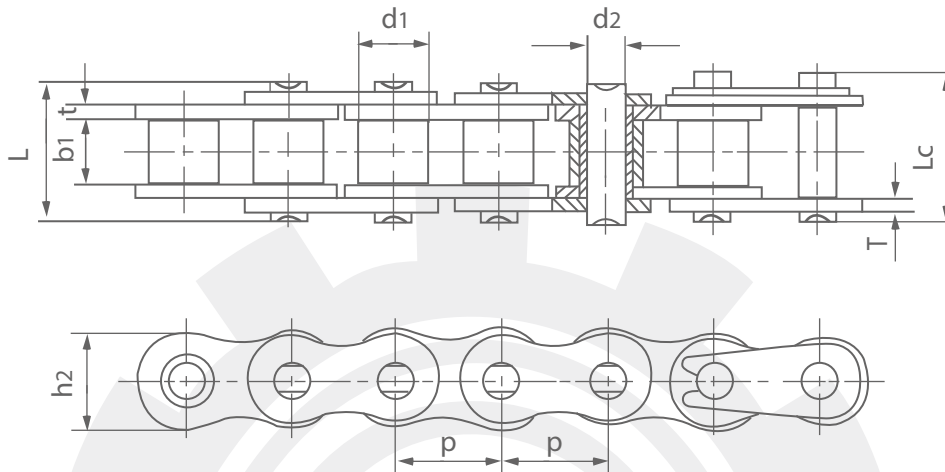
Note: Double strand nickel plated chains are available in all sizes except 41 chain

Double pitch nickel plated conveyor chains are available upon request.

# Sprockets - Chain

DIN8187-ISO606

Zinc-plated chains



DIN ISO Chain No.	Pitch	Roller diameter	Width between inner plates	Pin diameter	Pin length		Inner plate depth	Plate thickness	Ultimate tensile strength	Average tensile strength	Weight per meter
	p	d <sub>1</sub> max	b <sub>1</sub> min	d <sub>2</sub> max	L max	L <sub>c</sub> max	h <sub>2</sub> max	t/T max	Q min	Q <sub>0</sub>	q
	mm	mm	mm	mm	mm	mm	mm	mm	kN	kN	kg/m
*25ZP	6.350	3.30	3.18	2.31	7.90	8.40	6.00	0.80	3.80	4.6	0.14
*35ZP	9.525	5.08	4.77	3.58	12.40	13.17	9.00	1.30	7.90	10.8	0.33
41ZP	12.700	7.77	6.25	3.58	13.75	15.00	9.91	1.30	6.67	12.6	0.41
40ZP	12.700	7.95	7.85	3.96	16.60	17.80	12.00	1.50	14.10	17.5	0.62
50ZP	15.875	10.16	9.40	5.08	20.70	22.20	15.09	2.03	22.20	29.4	1.02
60ZP	19.050	11.91	12.57	5.94	25.90	27.70	18.00	2.42	31.80	41.5	1.50
80ZP	25.400	15.88	15.75	7.92	32.70	35.00	24.00	3.25	56.70	69.4	2.60
100ZP	31.750	19.05	18.90	9.53	40.40	44.70	30.00	4.00	88.50	109.2	3.91
04BZP	6.000	4.00	2.80	1.85	6.80	7.80	5.00	0.60	3.00	3.2	0.11
05BZP	8.000	5.00	3.00	2.31	8.20	8.90	7.10	0.80	5.00	5.9	0.20
#06BZP	9.525	6.35	5.27	3.28	13.15	14.10	8.20	1.30	9.00	10.4	0.41
08BZP	12.700	8.51	7.75	4.45	16.70	18.20	11.80	1.60	18.00	19.4	0.69
10BZP	15.875	10.16	9.65	5.08	19.50	20.90	14.70	1.70	22.40	27.5	0.93
12BZP	19.050	12.07	11.68	5.27	22.50	24.20	16.00	1.85	29.00	32.2	1.15
16BZP	25.400	15.88	17.02	8.28	36.10	37.40	21.00	1.15/3.1	60.00	72.8	2.71
20BZP	31.750	19.05	19.56	10.19	41.30	45.00	26.40	4.5/3.5	95.00	106.7	3.70

\*Bushing chain: d<sub>1</sub> in the table indicates the external diameter of the bushing

#Straight side plates

Note: Double strand nickel plated chains are available in all sizes except 41 chain

Double pitch nickel plated conveyor chains are available upon request.

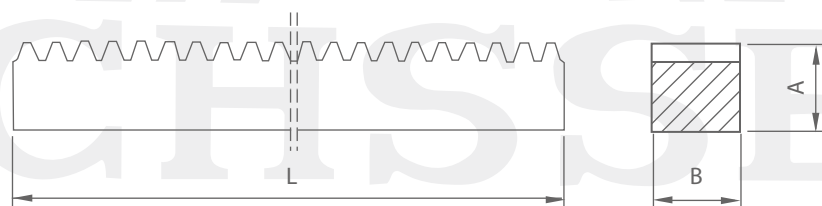
# Gears & Racks



### Special Note

The racks produced by CHSSB are of the following characters of high precision:

- In the whole length of 2000mm, unstraight degree is within 0.20mm, no matter the measurement is taken at any place of the rack.
- Unverticality of each vertical plane of the rack is less than 0.20mm.
- Smooth finish of each side is 0.8 and over.
- Error added up to circumferential pitch of any teeth is less than 0.20mm.



$a=20^\circ$

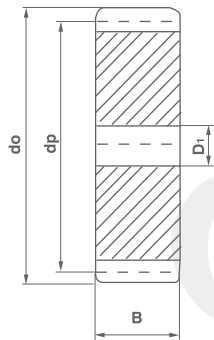
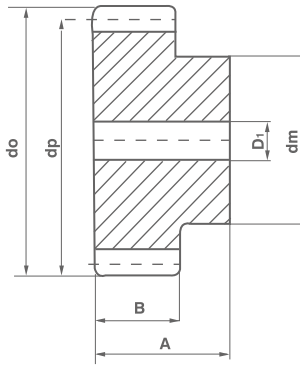
C45

Mod	L=250	L=500	L=1000	L=2000
	AXB	AXB	AXB	AXB
1	*15X15	15X15	15X15	15X15
1.5	*17X17	17X17	17X17	17X17
2	*20X20	20X20	20X20	20X20
2.5	*25X25	25X25	25X25	25X25
3	*30X30	30X30	30X30	30X30
4	-	-	*22X22	*22X22
4	-	-	25X25	25X25
4	-	*30X30	30X30	30X30
4	*40X40	40X40	40X40	40X40
5	*50X50	50X50	50X50	50X50
6	-	*60X60	60X60	60X60
8	-	-	*80X80	*80X80



# Gears & Racks

Standard Spur Gear  
Pressure Angle 20°



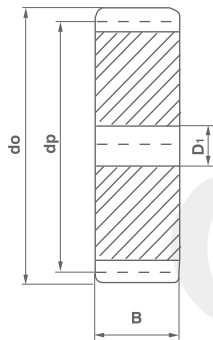
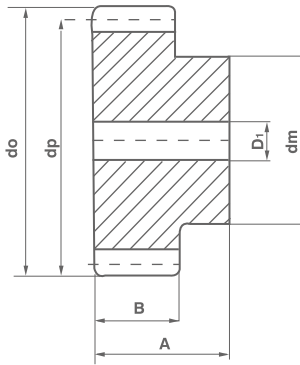
Tooth Width «B»

- Modulo 1 =15mm.
  - Modulo 1.5 =17mm.
  - Modulo 2 =20mm.
  - Modulo 2.5 =25mm.
  - Modulo 3 =30mm.
  - Modulo 4 =40mm.
  - Modulo 5 =50mm.
  - Modulo 6 =60mm.
- Total Thickness «A»
- Modulo 1 =25mm.
  - Modulo 1.5 =30mm.
  - Modulo 2 =35mm.
  - Modulo 2.5 =45mm.
  - Modulo 3 =50mm.
  - Modulo 4 =60mm.
  - Modulo 5 =75mm.
  - Modulo 6 =80mm.

Z	Mod.1				Mod.1,5				Mod.2				Mod.2,5			
	de	dp	dm	D1	de	dp	dm	D1	de	dp	dm	D1	de	dp	dm	D1
12	14	12	9	6	21.0	18.0	14	8	28	24	18	10	35.0	30.0	22	10
13	15	13	10	6	22.5	19.5	15	8	30	26	20	10	37.5	32.5	25	10
14	16	14	11	6	24.0	21.0	17	8	32	28	22	10	40.0	35.0	28	10
15	17	15	12	6	25.5	22.5	18	8	34	30	24	10	42.5	37.5	30	10
16	18	16	13	6	27.0	24.0	19	8	36	32	25	10	45.0	40.0	32	12
17	19	17	14	6	28.5	25.5	20	8	38	34	25	10	47.5	42.5	35	12
18	20	18	15	8	30.0	27.0	20	8	40	36	25	10	50.0	45.0	35	12
19	21	19	15	8	31.5	28.5	20	8	42	38	25	10	52.5	47.5	35	12
20	22	20	16	8	33.0	30.0	25	8	44	40	30	10	55.0	50.0	40	12
21	23	21	16	8	34.5	31.5	25	10	46	42	30	12	57.5	52.5	40	14
22	24	22	16	8	36.0	33.0	25	10	48	44	30	12	60.0	55.0	45	14
23	25	23	18	8	37.5	34.5	25	10	50	46	30	12	62.5	57.5	45	14
24	26	24	20	10	39.0	36.0	25	10	52	48	35	12	65.0	60.0	45	14
25	27	25	20	10	40.5	37.5	25	10	54	50	35	12	67.5	62.5	50	14
26	28	26	20	10	42.0	39.0	30	12	56	52	40	12	70.0	65.0	50	14
27	29	27	20	10	43.5	40.5	30	12	58	54	40	12	72.5	67.5	50	14
28	30	28	20	10	45.0	42.0	30	12	60	56	40	12	75.0	70.0	50	14
29	31	29	20	10	46.5	43.5	30	12	62	58	40	14	77.5	72.5	50	14
30	32	30	20	10	48.0	45.0	30	12	64	60	40	14	80.0	75.0	55	14
31	33	31	25	10	49.5	46.5	35	12	66	62	45	14	82.5	77.5	55	16
32	34	32	25	10	51.0	48.0	35	12	68	64	45	14	85.0	80.0	55	16
33	35	33	25	10	52.5	49.5	35	12	70	66	45	14	87.5	82.5	55	16
34	36	34	25	10	54.0	51.0	35	12	72	68	45	14	90.0	85.0	55	16
35	37	35	25	10	55.5	52.5	35	12	74	70	45	14	92.5	87.5	60	16
36	38	36	25	10	57.0	54.0	35	12	76	72	45	14	95.0	90.0	60	16
37	39	37	25	10	58.5	55.5	40	12	78	74	50	14	97.5	92.5	60	16
38	40	38	25	10	60.0	57.0	40	12	80	76	50	14	100.0	95.0	60	16
39	41	39	25	10	61.5	58.5	40	12	82	78	50	14	102.5	97.5	60	16
40	42	40	25	10	63.0	60.0	40	12	84	80	50	14	105.0	100.0	70	16
41	43	41	30	10	64.5	61.5	40	12	86	82	55	16	107.5	102.5	70	16
42	44	42	30	10	66.0	63.0	50	12	88	84	55	16	110.0	105.0	70	16
43	45	43	30	10	67.5	64.5	50	12	90	86	55	16	112.5	107.5	70	16
44	46	44	30	10	69.0	66.0	50	12	92	88	60	16	115.0	110.0	70	16
45	47	45	30	10	70.5	67.5	50	12	94	90	60	16	117.5	112.5	70	16
46	48	46	30	10	72.0	69.0	50	14	96	92	60	16	120.0	115.0	70	20
47	49	47	30	10	73.5	70.5	50	14	98	94	70	16	122.5	117.5	80	20
48	50	48	30	10	75.0	72.0	50	14	100	96	70	16	125.0	120.0	80	20
49	51	49	30	10	76.5	73.5	50	14	102	98	70	16	127.5	122.5	80	20
50	52	50	30	12	78.0	75.0	50	14	104	100	70	16	130.0	125.0	80	20
51	53	51	40	12	79.5	76.5	60	14	106	102	70	16	132.5	127.5	80	20
52	54	52	40	12	81.0	78.0	60	14	108	104	70	16	135.0	130.0	90	20
53	55	53	40	12	82.5	79.5	60	14	110	106	70	16	137.5	132.5	90	20
54	56	54	40	12	84.0	81.0	60	14	112	108	70	16	140.0	135.0	90	20
55	57	55	40	12	85.5	82.5	60	14	114	110	70	16	142.5	137.5	90	20
56	58	56	40	12	87.0	84.0	60	16	116	112	70	16	145.0	140.0	100	20
57	59	57	40	12	88.5	85.5	60	16	118	114	70	16	147.5	142.5	100	20
58	60	58	40	12	90.0	87.0	60	16	120	116	70	16	150.0	145.0	100	20
59	61	59	40	12	91.5	88.5	60	16	122	118	70	16	152.5	147.5	100	20
60	62	60	40	12	93.0	90.0	60	16	124	120	70	16	155.0	150.0	100	20
61	63	61	50	12	94.5	91.5	70	16	126	122	80	16				
62	64	62	50	12	96.0	93.0	70	16	128	124	80	16				
63	65	63	50	12	97.5	94.5	70	16	130	126	80	16				
64	66	64	50	12	99.0	96.0	70	16	132	128	80	16	167.5	162.5		20
65	67	65	50	12	100.5	97.5	70	16	134	130	80	16				
66	68	66	50	12	102.0	99.0	70	16	136	132	80	16				
67	69	67	50	12	103.5	100.5	70	16	138	134	80	16				
68	70	68	50	12	105.0	102.0	70	16	140	136	80	16				
69	71	69	50	12	106.5	103.5	70	16	142	138	80	16				
70	72	70	50	12	108.0	105.0	70	16	144	140	80	16	180.0	175.0		20
72	74	72		12	111.0	108.0		16	148	144		16	185.0	180.0		20
75	77	75		12	115.5	112.5		16	154	150		20	192.5	187.5		20
76	78	76		12	117.0	114.0		16	156	152		20	195.0	190.0		20
80	82	80		12	123.0	120.0		16	164	160		20	205.0	200.0		25
85	87	85		12	130.5	127.5		16	174	170		20	217.5	212.5		25
90	92	90		12	138.0	135.0		16	184	180		20	230.0	225.0		25

# Gears & Racks

Standard Spur Gear  
Pressure Angle 20°



**Tooth Width «B»**

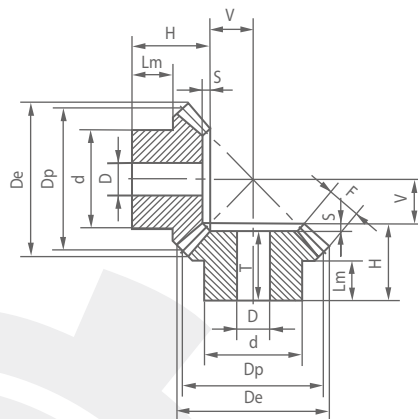
- Modulo 1 =15mm.
  - Modulo 1.5 =17mm.
  - Modulo 2 =20mm.
  - Modulo 2.5 =25mm.
  - Modulo 3 =30mm.
  - Modulo 4 =40mm.
  - Modulo 5 =50mm.
  - Modulo 6 =60mm.
- Total Thickness «A»**
- Modulo 1 =25mm.
  - Modulo 1.5 =30mm.
  - Modulo 2 =35mm.
  - Modulo 2.5 =45mm.
  - Modulo 3 =50mm.
  - Modulo 4 =60mm.
  - Modulo 5 =75mm.
  - Modulo 6 =80mm.

Z	Mod.3				Mod.4				Mod.5				Mod.6			
	de	dp	dm	D1	de	dp	dm	D1	de	dp	dm	D1	de	dp	dm	D1
12	42	36	27	12	56	48	35	14	70	60	45	20	84	72	54	20
13	45	39	30	12	60	52	40	14	75	65	50	20	90	78	60	20
14	48	42	33	12	64	56	45	14	80	70	55	20				
15	51	45	35	12	68	60	45	14	85	75	60	20	102	90	70	20
16	54	48	38	14	72	64	50	16	90	80	65	20	108	96	75	20
17	57	51	42	14	76	68	50	16	95	85	70	20				
18	60	54	45	14	80	72	50	16	100	90	70	20	120	108	80	20
19	63	57	45	14	84	76	60	16	105	95	70	20				
20	66	60	45	14	88	80	60	16	110	100	80	20	132	120	90	20
21	69	63	45	16	92	84	70	16	115	105	80	20				
22	72	66	50	16	96	88	70	16	120	110	80	20				
23	75	69	50	16	100	92	75	20	125	115	90	20				
24	78	72	50	16	104	96	75	20	130	120	90	20	156	144	110	25
25	81	75	60	16	108	100	75	20	135	125	90	20	162	150	110	25
26	84	78	60	16	112	104	75	20	140	130	100	20				
27	87	81	60	16	116	108	75	20	145	135	100	20				
28	90	84	60	16	120	112	75	20	150	140	100	25	180	168	-	25
29	93	87	60	16	124	116	75	20	155	145	110	25				
30	96	90	60	16	128	120	75	20	160	150	110	25	192	180	-	25
31	99	93	60	16	132	124	80	20								
32	102	96	70	16	136	128	80	20	170	160	-	25	204	192	-	25
33	105	99	70	16	140	132	80	20								
34	108	102	70	16	144	136	80	20								
35	111	105	70	16	148	140	80	20	185	175	-	25	222	210	-	25
36	114	108	70	20	152	144	80	25								
37	117	111	70	20												
38	120	114	80	20	160	152	-	25	200	190		25	240	220	-	25
39	123	117	80	20												
40	126	120	80	20	168	160	-	25	210	200		25	252	240	-	25
41	129	138	90	20												
42	132	126	80	20												
43	135	129	80	20												
44	138	132	90	20												
45	141	135	90	20	188	180	-	25	235	225	-	25				
46	144	138	90	20												
47	147	141	100	20												
48	150	144	100	20	200	192	-	25	250	240	-	25				
50	156	150	-	20	208	200	-	25	260	250	-	30				
52	162	156	-	20	216	208	-	25	270	260	-	30				
55	171	165	-	20	228	220	-	25	285	275	-	30				
57	177	171	-	20	236	228	-	25	295	285	-	30				
60	186	180	-	20	248	240	-	25	310	300	-	30				
65	201	195	-	20	268	260	-	25	335	325	-	30				
70	216	210	-	25	288	280	-	25	360	350	-	30				
72	222	216	-	25												
75	231	225	-	25	308	300	-	25	385	375	-	30				
76	234	228	-	25	312	304	-	30	390	380	-	30				
80	246	240	-	25	328	320	-	30	410	400	-	30				
85	261	255	-	25	348	340	-	30	435	425	-	30				
90	276	270	-	25	368	360	-	30	460	450	-	30				
95	291	285	-	25	388	380	-	30	485	475	-	30				
100	306	300	-	25	408	400	-	30	510	500	-	30				
110	336	330	-	25	448	440	-	30	560	550	-	30				
114	348	342	-	30	464	456	-	30	580	570	-	30				
120	366	360	-	30												
127	387	381	-	30												

# Bevel Gear

## Pairs With Usual Axes

Pressure angle 20°



### Type - A

1:1

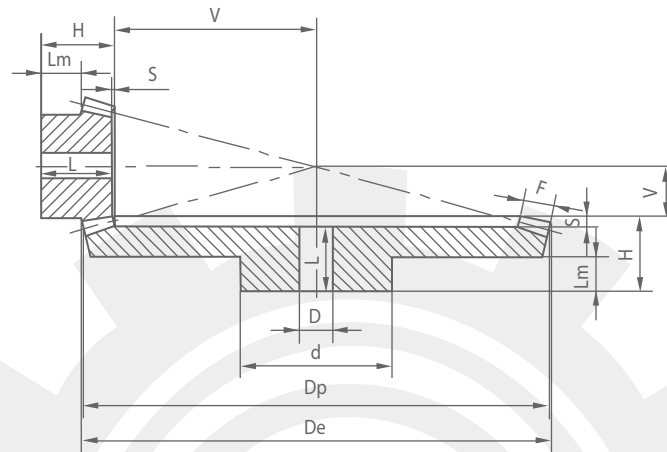
M	Z	De	Dp	H	F	d	D	V	L	Lm	S
15	16	26.1	24.0	18.9	6	20.3	8	7.10		12	
	20	32.1	30.0	20	10	22	10	7.40	18	8.5	2
	25	39.6	37.5	23	10	28	10	11.09	21	12	2
	30	47.1	45.0	25	12	30	12	13.35	22.5	12	2.5
2	16	34.8	32.0	23.5	8	25.3	10	9.50		14	
	20	42.8	40.0	25	12	32	10	10.78	22	12	3
	25	52.8	50.0	28	14	40	12	14.28	25	12.3	3
	30	62.8	60.0	30	16	50	12	17.78	27	12.8	3
2.5	16	43.5	40.0	28.1	10	30.3	12	11.90		15	
	20	53.5	50.0	30.5	12	40	12	15.43	27	16	3.5
	25	66.0	62.5	33.5	15	50	15	19.48	30	16	3.5
	30	78.5	75.0	35.5	18	55	15	23.63	32	16	3.5
3	16	52.2	48.0	31.7	12	40.3	15	14.30		18	
	20	64.2	60.0	35	18	45	15	16.00	31	13.6	4
	25	79.2	75.0	38	20	55	15	22.00	34	16	4
	30	94.2	90.0	40	22	60	20	28.00	36	17	4
3.5	16	60.9	56.0	36.4	14	45.3	15	16.60		20	
	20	74.9	70.0	40.5	22	55	15	18.13	36	17	4.5
	25	92.4	87.5	43.5	26	65	20	23.97	39	18	4.5
	30	109.9	105.0	48	30	70	20	30.02	43.5	19	4.5
4	16	69.6	64.0	44.3	15	50.3	15	19.70		25	
	20	85.6	80.0	43	25	60	18	20.74	38	18	5
	25	105.6	100.0	45	28	70	20	28.50	40	18	5
	30	125.6	120.0	48	32	80	25	35.67	43	16	5
4.5	16	78.3	72.0	46.3	18	55.3	18	21.70		25	
	20	96.3	90.0	48	28	65	20	23.41	42	18	6
	25	118.8	112.5	50	32	75	20	31.76	44	18	6
	30	141.3	135.0	53	35	90	25	40.82	47	17	6
5	16	87.0	80.0	48.9	18	60.36	20	25.10		25	
	20	107.1	100.0	50.5	30	70	20	26.86	44	18.5	6.5
	25	132.1	125.0	53.5	34	90	20	36.36	47	18	6.5
	30	157.1	150.0	56.5	38	110	30	45.97	50	18	6.5



# Bevel Gear

## Pairs With Usual Axes

Pressure angle 20°



### Type - A

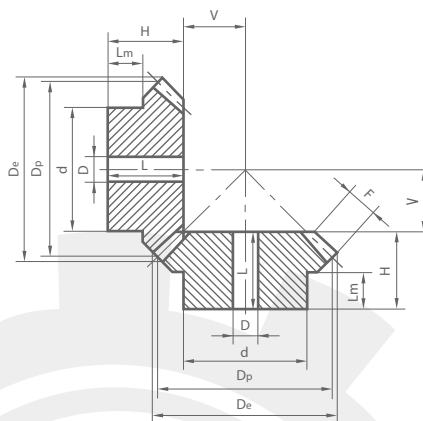
**1:4**

M	Z	De	Dp	H	F	d	D	V	L	Lm	S
1.5	16	26.9	24	25	12	18	10	36.02	24	12.2	1
	64	96.7	96	22.5	12	70	15	8.53	19	10	3
2	16	35.9	32	24	15	25	12	49.07	23	8.2	1
	64	129.0	128	25	15	80	20	11.79	20	10	4
2.5	16	44.9	40	30.5	18	30	15	61.99	29	11.2	1.5
	64	161.2	160	29	18	90	20	13.77	24	10	5
3	16	53.8	48	34	22	40	15	74.05	32	11	2
	64	193.5	192	30	22	100	20	16.41	24	10	6
3.5	16	62.8	56	45	25	48	15	87.13	43	19.1	2
	64	225.7	224	50	25	100	25	19.32	43	22	7
4	16	71.7	64	50	30	50	20	98.21	48	18.5	2
	64	257.9	256	50	30	120	28	21.72	42	20	8
4.5	16	80.7	72	53	32	55	20	112.08	50.5	19	2.5
	64	290.1	288	53	32	130	30	24.83	44	23	9
5	16	89.7	80	58	35	60	20	125.06	55.5	20.6	2.5
	64	322.4	320	58	35	150	30	27.65	48	25	2.5

# Bevel Gear

## Pairs With Usual Axes

Pressure angle 20°



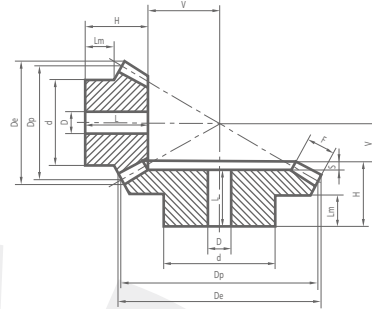
### Type - B

1:1

M	Z	De	Dp	H	F	d	D	V	Lm
1.5	16	26.1	24.0	18.9	6	20.3	8	7.10	12
	19	30.6	28.5	21.3	7	20.3	8	8.70	12
	22	35.1	33.0	22.5	7.5	25.3	8	10.50	12
	26	41.1	39.0	23.2	8.5	28.3	8	12.80	12
2	30	47.1	45.0	27.2	10	30.3	12	14.80	12
	16	34.8	32.0	23.5	8	25.3	8	9.50	14
	19	40.8	38.0	24.2	9	25.3	8	11.80	12
	22	46.8	44.0	27.9	10	30.3	12	14.10	14
2.5	26	54.8	52.0	31.4	12	35.3	12	16.60	14
	30	62.8	60.0	34.1	13	40.3	14	19.90	17
	16	43.5	40.0	28.1	10	30.3	12	11.90	15
	19	51.0	47.5	27.1	11	35.3	12	14.90	13
3	22	58.5	55.0	30.1	12	45.3	16	17.90	16
	26	68.5	65.0	33.2	15	45.3	16	20.80	16
	30	78.5	75.0	39	16	50.3	16	25.00	20
	16	52.5	48.0	31.7	12	40.3	12	14.30	18
3.5	19	61.2	57.0	36	13	40.3	14	18.00	17
	22	70.2	66.0	36.9	15	50.3	16	21.10	17
	26	82.2	78.0	38.4	17	50.3	16	25.60	18
	30	94.2	90.0	43.8	19	60.3	20	30.20	22
4	16	60.9	56.0	36.4	14	45.3	16	16.60	20
	19	71.5	66.54	37.8	15	50.3	18	21.00	19
	22	81.9	77.0	39.1	17	55.3	20	24.90	18
	26	96.0	91.0	43.35	20	62.3	20	29.70	20
4.5	30	110.0	105.0	47.1	23	70.3	20	34.90	22
	16	69.7	64.0	44.3	15	50.3	16	19.70	25
	19	81.7	76.0	44.4	18	55.3	20	23.60	22
	22	93.7	88.0	45.9	20	60.3	20	28.10	22
5	26	109.7	104.0	48	25	70.3	20	34.00	22
	30	125.7	120.0	54.2	26	80.3	25	39.80	25
	16	78.4	72.0	46.3	17.5	55.3	20	21.70	25
	19	91.8	85.5	49	20	62.3	20	26.57	25
5	22	105.3	99.0	50.1	22	70.3	20	31.90	25
	26	123.0	117.0	54.7	25	75.3	20	38.60	26
	30	141.4	135.0	60	29	80.3	25	45.00	28
	16	87.1	80.0	48.9	18	60.3	20	25.10	25
5	19	102.1	95.0	52.2	22	60.3	20	29.80	25
	22	117.1	110.0	58.2	24	80.3	25	35.80	30
	26	137.1	130.0	62.7	29	80.3	25	42.30	30
	30	157.1	150.0	68.9	32	80.3	30	50.10	35

# Bevel Gear Pairs With Usual Axes

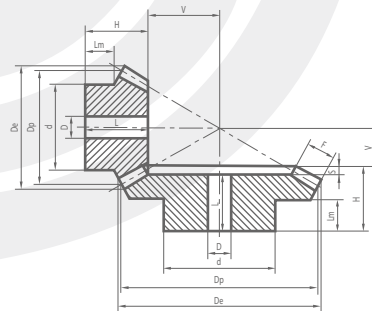
Pressure angle 20°



## Type - B

**1:1.5**

M	Z	De	Dp	H	F	d	D	V	L	Lm	S
1.5	16	27.1	24	20.3	8	20.3	8	10.7		11.8	
	24	37.2	36	24.9	8	28.3	8	7.1	22.7	16	2.2
2	16	36.2	32	25.2	10	25.3	8	14.8		13.8	
	24	49.7	48	27.2	10	32.3	8	9.8	24.7	16	2.5
2.5	16	45.2	40	30.8	13	32.3	12	18.2		16.4	
	24	62.1	60	34	13	45.3	16	12.0	30.8	20	3.2
3	16	54.3	48	32.4	14.5	40.3	12	22.6		16.4	
	24	74.5	72	36.2	14.5	55.3	16	14.8	32	20	4.2
3.5	16	63.3	56	40.4	18	45.3	16	25.6		20.4	
	24	86.9	84	44.2	18	55.3	20	16.8	40	25	4.2
4	16	72.4	64	46.8	18	50.3	16	31.2		25.4	
	24	99.3	96	45.5	18	60.3	20	20.5	40	25	5.5
4.5	16	81.4	72	47.6	20	60.3	20	35.4		25.1	
	24	111.7	108	57.8	20	80.3	25	23.2	51.3	35	6.5
5	16	90.5	80	54.1	24	60.3	25	37.9		25.4	
	24	124.1	120	61.1	24	80.3	30	24.9	54.5	35	6.6



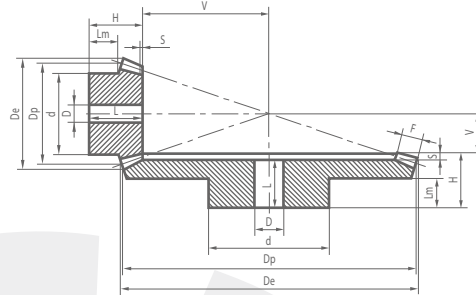
## Type - B

**1:2**

M	Z	De	Dp	H	F	d	D	V	L	Lm	S
1.5	15	26.1	22.5	21.1	9	19.3	8	13.9		11.9	
	30	45.9	45.0	25.2	9	32.3	8	6.8	23	16	2.2
2	15	34.8	30.0	26	11.5	25.3	8	19.0		14.1	
	30	61.2	60.0	29.8	11.5	40.3	14	9.2	26.8	18	3
2.5	15	43.5	37.5	31.8	15	32.3	12	23.2		16.2	
	30	76.5	75.0	33.7	15	45.3	16	11.3	30	20	3.7
3	15	52.2	45.0	37.3	17	40.3	12	28.7		19.9	
	30	91.8	90.0	42.1	17	55.3	16	13.9	38	25	4.1
3.5	15	60.9	52.5	46.1	20.5	45.3	16	32.9		24.7	
	30	107.1	105.0	45	20.5	60.3	20	16.0	40	25	5
4	15	69.6	60.0	48.6	22.5	50.3	20	38.4		24.6	
	30	122.3	120.0	57.3	22.5	80.3	25	18.7	51.9	35	5.4
4.5	15	78.3	67.5	51.4	26	60.3	20	42.6		24.7	
	30	137.6	135.0	60.3	26	80.3	30	20.7	54.3	35	6
5	15	87.0	75.0	57.6	30	60.3	25	46.4		25.3	
	30	152.9	150.0	62.5	30	80.3	30	22.5	56	35	6.5

# Bevel Gear Pairs With Usual Axes

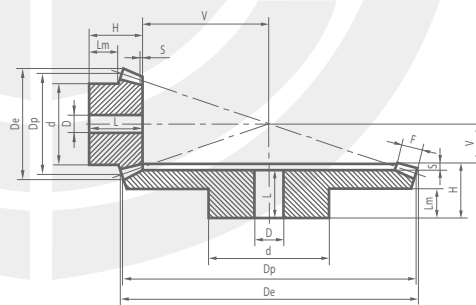
Pressure angle 20°



## Type - B

**1:2.5**

M	Z	De	Dp	H	F	d	D	V	L	Lm	S
1.5	16	27.9	24	24.2	11.5	20.3	8	18.8		12.3	
	40	60.7	60	27.8	11.5	40.3	14	7.2	25.5	18	2.3
2	16	37.2	32	29.6	15	25.3	8	25.4		13.7	
	40	80.9	80	32.4	15	45.3	16	9.6	29	20	3.4
2.5	16	46.4	40	38.4	19	32.3	12	31.6		18.5	
	40	101.1	100	39.8	19	55.3	16	12.2	35.9	25	3.9
3	16	55.7	48	41.9	21.5	40.3	16	39.1		19.6	
	40	121.4	120	47.9	21.5	60.3	20	15.1	44	30	3.9
3.5	16	65.0	56	49.1	22.6	45.3	20	47.9		25	
	40	141.6	140	54.6	22.6	80.3	25	18.4	50	35	4.6
4	16	74.3	64	52.5	26	55.3	20	54.5		25.3	
	40	161.8	160	57	26	80.3	30	21.0	50.5	35	6.5
4.5	16	83.6	72	56.3	30	60.3	25	60.7		24.6	
	40	182.1	180	59.7	30	80.3	30	23.3	53	35	6.7
5	16	92.9	80	65.4	32	60.3	25	68.6		30.1	
	40	202.3	200	65.7	32	90.3	30	26.3	58.3	40	7.4



## Type - B

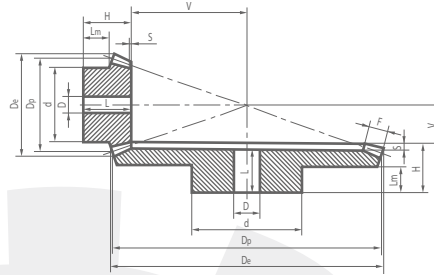
**1:3**

M	Z	De	Dp	H	F	d	D	V	L	Lm	S
1.5	15	26.5	22.5	22.6	10.5	19.3	8	23.4		11.7	
	45	68.1	67.5	29.6	10.5	45.3	14	7.4	27.2	20	2.4
2	15	35.4	30	28.9	14	25.3	8	31.1		14.2	
	45	90.8	90	32.1	14	45.3	16	9.9	28.4	20	3.7
2.5	15	44.1	37.5	34.6	18	32.3	12	38.4		15.9	
	45	113.4	112.5	39.7	18	60.3	20	12.3	35.3	25	4.4
3	15	53.0	45	41.3	21	40.3	16	46.7		19.7	
	45	136.1	135	47.2	21	60.3	25	14.8	42	30	5.2
3.5	15	61.9	52.5	49.6	23.5	45.3	20	55.4		25	
	45	158.8	157.5	54.4	23.5	80.3	25	17.6	48.6	35	5.8
4	15	70.7	60	54.3	27.5	50.3	20	62.7		25.4	
	45	181.5	180	57	27.5	80.3	30	20.0	50.5	35	6.5
4.5	15	79.5	67.5	55.2	28.5	55.3	25	72.8		24.8	
	45	204.2	202.5	63.9	28.5	90.3	30	23.1	57	40	6.9
5	15	88.4	75	65.3	33	60.3	25	79.7		30	
	45	226.9	225	66.7	33	90.3	30	25.3	59.2	40	7.5



# Bevel Gear Pairs With Usual Axes

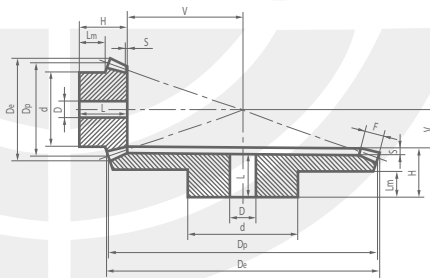
Pressure angle 20°



## Type - B

**1:3.5**

M	Z	De	Dp	H	F	d	D	V	L	Lm	S
1.5	16	28.1	24	24	12	20.3	8	30.0		11.5	
	56	84.5	84	34.8	12	45.3	14	8.2	32	25	2.8
2	16	37.5	32	30.9	16	25.3	8	40.1		14.1	
	56	112.6	12	37.1	16	55.3	16	10.9	33.3	25	3.8
2.5	16	46.8	40	38.9	20	32.3	14	50.1		17.9	
	56	140.8	140	44.4	20	60.3	20	13.6	40	30	4.4
3	16	56.2	48	49.9	24	40.3	16	60.1		24.9	
	56	169.0	168	52.7	24	80.3	25	16.3	47.5	35	5.2
3.5	16	65.6	56	52	25	45.3	20	73.0		25.5	
	56	197.1	196	55.1	25	80.3	25	19.9	49.1	35	6



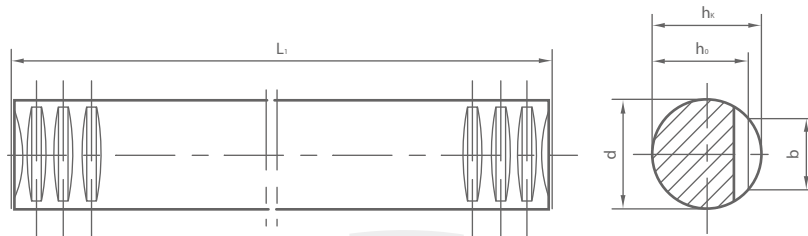
## Type - B

**1:4**

M	Z	De	Dp	H	F	d	D	V	L	Lm	S
1.5	15	26.70	22.5	23	11	20.3	8	34.0		11.7	
	60	90.40	90.0	34	11	50.3	16	8.0	31.2	25	2.8
2	15	35.60	30.0	31	16	25.3	8	44.0		14.4	
	60	120.60	120.0	37.6	16	60.3	16	10.4	34.2	25	3.4
2.5	15	44.50	37.5	38.1	19	32.3	14	55.9		18.4	
	60	150.70	150.0	44.8	19	60.3	20	13.2	40	30	4.8
3	15	53.30	45.0	48.1	23	40.3	16	66.9		24.5	
	60	180.80	180.0	53.2	23	80.3	25	15.8	48.2	35	5
3.5	15	62.20	52.5	52.1	26	45.3	20	78.9		25.1	
	60	211.00	210	60.4	26	90.3	30	18.6	54.4	40	6
4	15	71.10	60.0	55.1	30	50.3	20	89.9		23	
	60	241.10	240.0	60.8	30	90.3	30	21.2	53	40	7.8
4.5	15	79.97	67.5	57	32	52.3	20	102.9		23	
	60	271.24	270.0	62	32	90.3	30	24.3	53.5	40	8.5
5	15	88.80	75.0	62	34	55.3	20	115.7		25	
	60	301.30	300.0	65	34	90.3	30	27.0	55	40	10

# Gear & Racks

## 20° Pressure angle



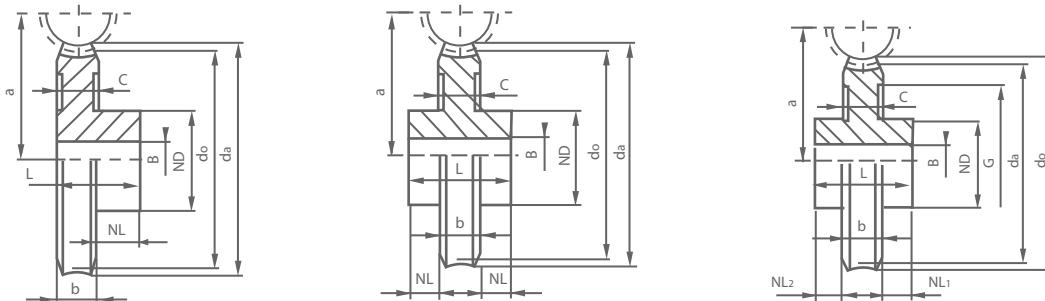
## Straight tooth system

Module	L <sub>1</sub>	∅ d <sub>h11</sub>	b	hk	ho	kg
1	251.3	15	7.5	15	14.0	0.34
	499.5	15	7.5	15	14.0	0.66
	999.0	15	7.5	15	14.0	1.35
1.5	249.8	17	9.6	17	15.5	0.42
	499.5	17	9.6	17	15.5	0.84
	999.0	17	9.6	17	15.5	1.70
2	251.3	20	12.0	20	18.0	0.55
	502.7	20	12.0	20	18.0	1.10
	999.0	20	12.0	20	18.0	2.20
2.5	251.3	25	15.0	25	22.5	0.90
	502.7	25	15.0	25	22.5	1.80
	997.5	25	15.0	25	22.5	3.60
3	254.5	30	18.0	30	27.0	1.30
	499.5	30	18.0	30	27.0	2.50
	999.0	30	18.0	30	27.0	5.10
4	251.3	40	24.0	40	36.0	2.30
	502.6	40	24.0	40	36.0	4.50
	1005.3	40	24.0	40	36.0	9.10
5	251.3	50	30.0	50	45.0	3.80
	502.6	50	30.0	50	45.0	7.10
	1005.3	50	30.0	50	45.0	14.30

### special notice

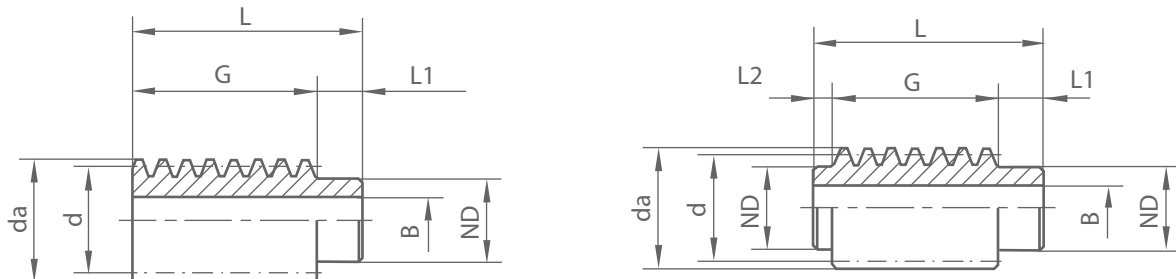
Material C 45k, Mat. No. 1.0503, of specially treated bright steel O<sub>h11</sub> with a tensile strength of approx. 650 N/mm<sup>2</sup>. Both ends of the racks are designed so that several racks can be linked to obtain any desired length. Please also see our guide pages on page E-16.

# Worm gear & Worm

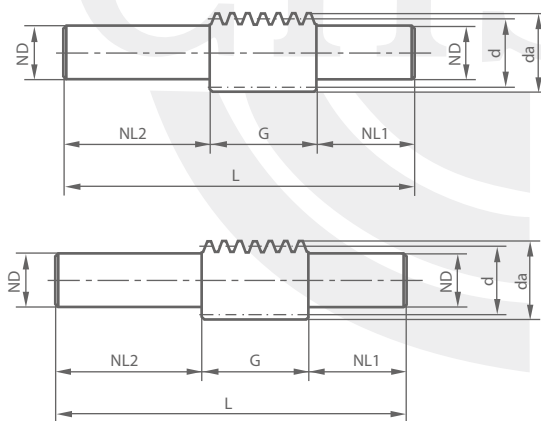


Module	Z	Ttpe		dp	da	ND	N N1/N2	L	G	C	a	BH7	Kg
1.0	16	1	16:1	16	18.8	12	8	14.5	-	-	15	5	0.02
	18	1	18:1	18	20.8	12	8	14.5	-	-	16	5	0.02
	20	1	20:1	20	22.8	16	8	14.5	-	-	17	5	0.03
	25	1	25:1	25	27.8	16	8	14.5	-	-	19.5	5	0.04
	35	1	35:1	35	37.8	16	10	16.5	-	-	24.5	6	0.07
	50	1	50:1	50	52.8	20	10	16.5	-	-	32	6	0.14
	75	1	75:1	75	77.8	30	10	16.5	-	4.5	44.5	6	0.20
	100	1	100:1	100	102.8	30	12	18.5	-	1.5	57	6	0.48
b=6.5	125	1	125:1	125	127.8	40	12	18.5	-	4.5	69.5	8	0.58
	150	1	150:1	150	152.8	40	12	18.5	-	4.5	82	8	0.59
	16	2	16:1	24	28.4	18	6	24	-	-	24.5	8	0.06
	18	2	18:1	27	31.7	20	8	28	-	-	26	8	0.08
	20	2	20:1	30	34.7	25	8	28	-	-	27.5	10	0.13
	30	2	30:1	45	49.7	30	8	28	-	-	35	10	0.26
	40	2	40:1	60	64.7	30	10	32	-	-	42.5	10	0.40
	50	2	50:1	75	79.7	30	10	32	-	10	50	10	0.44
b=12	75	2	75:1	112.5	117.2	40	10	32	-	10	68.75	12	0.86
	100	2	100:1	150	154.7	45	10	32	-	10	87.5	12	1.30
	16	2	16:1	32	37.6	20	8	30	-	-	32	8	0.14
	18	2	18:1	36	41.6	25	8	30	-	-	34	10	0.25
	20	2	20:1	40	45.6	30	10	34	-	-	36	12	0.55
	30	2	30:1	60	65.6	40	10	34	-	-	46	12	0.60
	40	2	40:1	80	85.6	40	10	34	-	11	56	12	0.65
	50	2	50:1	100	105.6	40	10	34	-	11	66	12	0.76
b=14	60	2	60:1	120	125.6	50	10	34	-	11	126	12	1.20
	16	3	16:1	48	57	40	18/4	46	-	-	43	15	0.46
	18	3	18:1	54	63	40	18/14	46	-	-	46	15	0.55
	20	3	20:1	60	69	40	18/14	46	-	-	49	15	0.64
	26	3	26:1	78	87	45	18/14	46	60	12	58	18	1.20
	32	3	32:1	96	105	50	18/14	46	70	12	67	20	1.40
	40	3	40:1	120	129	65	18/14	46	90	12	79	25	2.20
	52	3	52:1	147	156	75	23/4	51	110	12	97	30	3.40
6=24	65	3	65:1	195	204	85	23/4	51	150	12	116.5	35	4.90
	16	3	16:1	64	76	50	21/5	60	-	-	57	20	1.00
	18	3	18:1	72	84	50	21/5	60	-	-	67	20	1.50
	20	3	20:1	80	92	50	21/5	60	-	-	65	20	1.60
	26	3	26:1	104	116	55	21/5	60	80	14	77	22	2.10
	32	3	32:1	128	140	65	21/5	60	90	14	89	25	3.40
	40	3	40:1	160	172	75	21/5	60	125	14	105	30	4.50
	52	3	52:1	208	220	85	26/5	65	175	14	129	35	6.70
b=34	65	3	65:1	260	272	100	26/5	65	225	14	155	40	9.50
	16	3	16:1	80	95	70	27/5	72	-	-	71	20	2.30
	18	3	18:1	90	105	70	27/5	72	-	-	76	20	2.60
	20	3	20:1	100	115	70	27/5	72	-	-	81	25	3.00
	26	3	26:1	130	145	70	27/5	72	99	16	96	28	4.20
	32	3	32:1	160	175	75	27/5	72	125	16	111	30	5.30
	40	3	40:1	200	215	85	27/5	72	160	16	131	35	7.40
	52	3	52:1	260	275	100	32/5	77	220	16	161	40	11.80
b=40	65	3	65:1	325	340	115	32/5	77	280	16	193.5	45	17.00
	16	3	16:1	96	114	70	20/5	65	-	-	88	25	4.90
	18	3	18:1	108	126	70	20/5	65	-	-	94	25	5.85
	20	3	20:1	120	138	75	20/5	65	-	-	100	25	7.11
	25	3	25:1	150	168	75	25/5	70	120	16	115	30	8.95
	30	3	30:1	180	198	80	25/5	70	140	16	130	30	12.70
	40	3	40:1	240	258	85	30/5	75	200	16	160	30	17.85
	50	3	50:1	300	318	90	30/5	75	260	16	190	30	26.31
b=40	60	3	60:1	360	378	90	30/5	75	320	16	220	30	39.70

# Worm gear & Worm

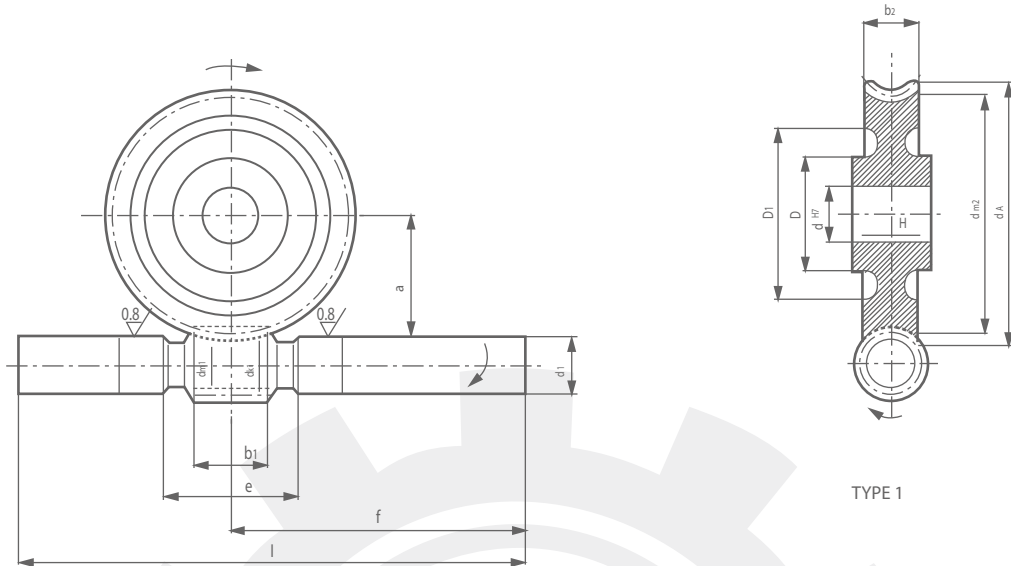


Module	Type	d	da	ND	L <sub>1</sub>	L <sub>2</sub>	G	L	B	kg
1.0	1	14	16	11	6	-	24	30	6	0.12
1.5	1	25	28	21	10	-	40	50	8	0.16
2.0	1	32	36	25	10	-	45	55	8	0.30
3.0	2	38	44	30	12	3	46	61	15	0.40
4.0	2	50	58	40	15	4	62	81	20	1.20
5.0	2	62	72	50	18	5	80	103	25	1.80
6.0	2	80	92	65	20	20	80	120	25	3.60



Module	Type	d	da	ND	NL <sub>1</sub>	G	NL <sub>2</sub>	L	kg
1.0	1	14	16	10	30	24	2	74	0.06
1.5	1	25	28	20	40	40	30	110	0.30
2.0	1	32	36	25	50	45	36	131	0.62
3.0	2	38	44	30	130	46	90	266	1.60
4.0	2	50	58	40	175	62	120	357	3.80
5.0	2	62	72	50	220	80	150	450	7.60
6.0	2	80	92	65	220	80	150	450	12.80

# Worm gear & Worm



**Centre distance a = 40mm**

**Type 1**

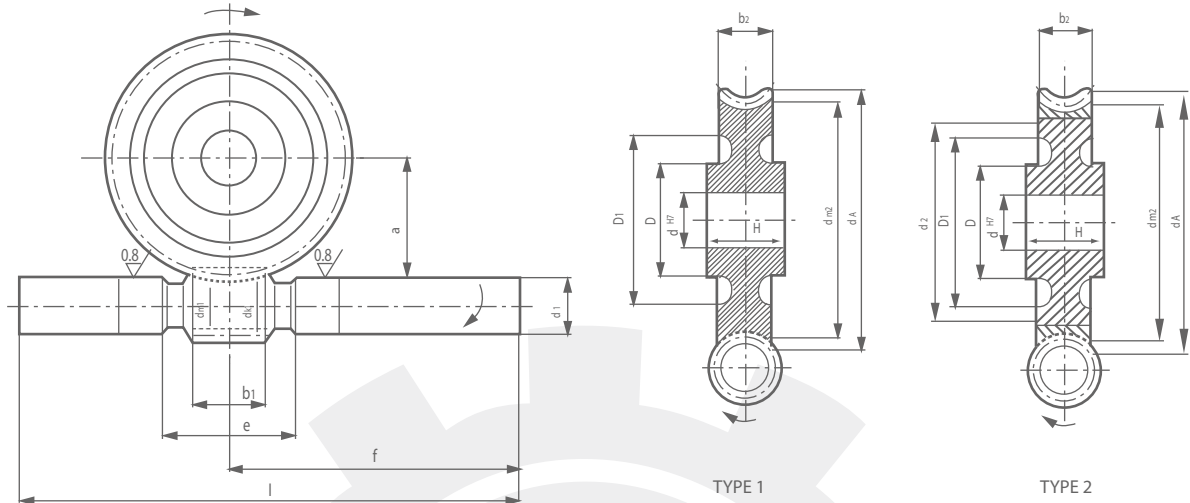
Module	i	Z1	worm							z2	worm gear							Kg
			dm1	dk1	d1	b1	e	f	i		dm2	dA	b2	H	D	D1	dH7	
1.0	62:1	1	18.0	20.0	17.5	2.5	50	100	150	62	62.0	65.0	12	25	40	-	15	0.69
1.25	50:1	1	17.5	20.0	17.5	2.5	50	100	150	50	62.5	66.3	12	25	40	-	15	0.69
1.50	41:1	1	17.0	20.0	17.5	2.5	50	100	150	41	63.0	67.5	12	25	40	-	15	0.68
	20.5:1	2	17.0	20.0	17.5	2.5	50	100	150	41	63.0	67.5	12	25	40	-	15	0.68
20	29:1	1	20.0	24.0	17.5	2.8	50	100	150	29	60.0	66.0	14	25	40	-	15	0.71
	15:1	2	16.0	20.0	17.5	2.5	50	100	150	30	64.0	70.0	14	25	40	-	15	1.72
	6.75:1	4	16.0	20.0	17.5	2.5	50	100	150	27	64.0	70.0	14	25	40	-	15	0.72
2.5	12:1	2	19.5	24.5	17.5	3.0	50	400	150	24	60.5	68.0	16	25	40	-	15	0.73

**Centre distance a = 50mm**

**Type 1**

Module	i	Z1	worm							z2	worm gear							Kg
			dm1	dk1	d1	b1	e	f	i		dm2	dA	b2	H	D	D1	dH7	
1.0	82:1	1	17.0	19.0	17.5	2.5	50	115	180	82	83.0	86	12	30	50	61.0	20	1.00
1.25	62:1	1	23.4	24.9	20.5	2.5	50	115	180	62	77.6	81.0	15	30	50	-	20	1.20
1.5	52:1	1	21.0	24.0	20.5	2.8	60	115	180	52	29.0	83.5	14	30	50	66.0	20	1.20
	26:1	2	21.0	24.0	20.5	2.8	60	115	180	52	79.30	82.4	14	30	50	66.0	20	1.20
2.0	38:1	1	22.4	26.4	20.5	3.2	60	115	180	38	77.6	84.0	18	30	50	71.5	20	1.20
	19:1	2	22.4	26.4	20.5	3.2	60	115	180	38	77.6	84.0	18	30	50	71.5	20	1.20
	9:1	4	22.4	26.4	20.5	3.2	60	115	180	36	27.6	84.0	18	30	50	71.5	20	1.15
2.5	29:1	1	26.5	31.5	20.5	3.6	60	115	180	39	73.5	81.0	20	30	50	-	20	1.30
	14:1	2	26.5	31.5	20.5	3.6	60	115	180	28	73.5	81.0	20	30	50	-	20	1.30
	6.75:1	4	26.5	31.5	20.5	3.6	60	115	180	27	73.5	81.0	20	30	50	-	20	1.45
3.0	12:1	2	25.5	31.5	20.5	3.87	60	115	180	24	74.5	83.5	18	30	50	71.5	20	1.30

# Worm gear & Worm



## Centre distance a = 63mm

## Type 1

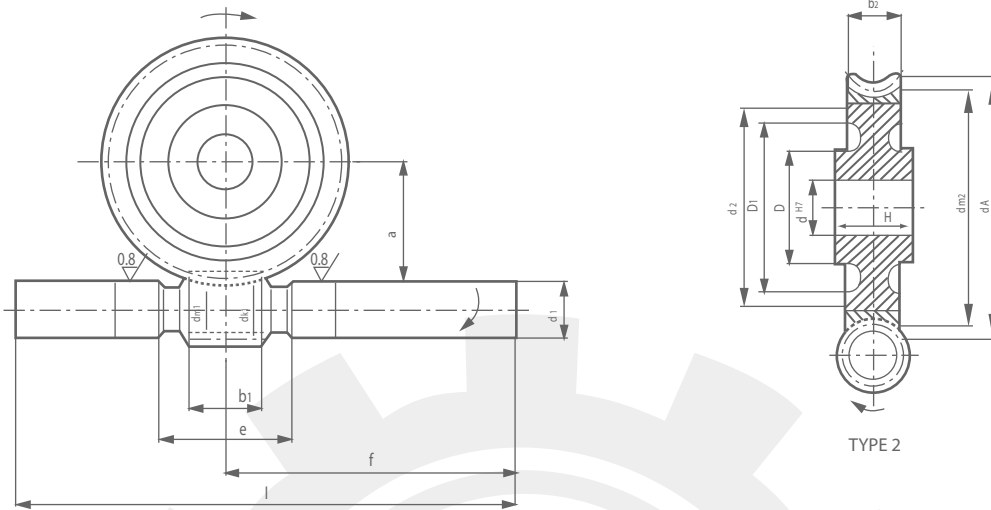
Module	i	Z1	worm							z2	worm gear							Kg
			dm1	dk1	d1	b1	e	f	i		dm2	dA	b2	H	D	D1	dH7	
1.0	109:1	1	17.0	19.0	20.5	28	60	130	210	109	109.0	112	13	35	60	91	25	1.70
1.25	82:1	1	22.4	24.9	20.5	28	60	130	210	82	103.0	109	15	35	60	87	25	1.65
1.6	61:1	1	28.0	31.2	25.5	32	60	120	210	61	98.0	103	18	35	60	83	25	2.05
2.0	51:1	1	27.4	26.4	25.5	36	75	130	210	51	103.6	110	18	35	60	86	25	2.10
	25.5:1	2	22.4	26.4	25.5	36	75	130	210	51	103.6	110	18	35	60	86	25	2.10
	12.25:1	4	22.4	26.4	25.5	36	75	130	210	49	103.6	110	18	35	60	86	25	2.00
2.5	39:1	1	26.5	31.5	25.5	40	75	130	210	39	99.5	107	20	35	60	81	25	2.20
	19.5:1	2	26.5	31.5	25.5	40	75	130	210	39	99.5	107	20	35	60	81	25	2.15
	9.25:1	4	26.5	31.5	25.5	40	75	130	210	37	99.5	107	20	35	60	81	25	2.20
3.15	29:1	1	33.5	39.8	25.5	45	75	130	210	29	92.5	102	26	35	60	79	25	2.30
	14.5:1	2	33.5	39.8	28.5	45	75	130	210	29	92.5	102	26	35	60	79	25	2.30
	6.75:1	4	33.5	39.8	25.5	45	75	130	210	27	92.5	102	26	35	60	79	25	2.30

## Centre distance a = 80mm

## Type 2

Module	i	Z1	worm							z2	worm gear							Kg	
			dm1	dk1	d1	b1	e	f	i		dm2	dA	b2	H	dx	D	D1		dH7
1.25	109:1	1	22.4	24.9	25.5	34	70	170	270	109	137.6	141	16	119	50	70	95	30	3.15
1.6	82:1	1	28.0	31.2	30.5	38	80	170	270	82	132.0	137	20	110	50	70	87	30	3.80
2.0	62:1	1	35.5	39.6	30.5	40	80	170	270	62	124.5	131	22	104	50	70	85	30	3.90
2.5	53:1	1	26.5	31.5	30.5	46	95	170	270	53	133.5	141	22	109	50	70	87	30	3.80
	26:1	2	26.5	31.5	30.5	46	95	170	270	52	133.5	141	22	109	50	70	87	30	3.85
	12.25:1	4	26.5	31.5	30.5	46	95	170	270	49	133.5	141	32	109	50	70	87	30	3.95
3.15	40:1	1	33.5	39.8	30.5	50	95	170	270	40	126.5	136	26	100	50	70	80	30	4.10
	19.5:1	2	33.5	39.8	30.5	50	95	170	270	39	126.5	136	26	100	50	70	80	30	4.15
	9.25:1	4	33.5	39.8	30.5	50	95	170	270	37	126.5	136	26	100	50	70	80	30	4.25
4.0	29:1	1	40.0	48.0	30.5	55	95	170	270	29	120.0	132	32	89	50	70	-	30	4.45
	14.5:1	2	40.0	48.0	30.5	55	95	170	270	29	120.0	132	32	89	50	70	-	30	4.45
	6.75:1	4	40.0	48.0	30.5	55	95	170	270	27	120.0	132	32	89	50	70	-	30	4.50

# Worm gear & Worm



**Centre distance a = 100mm**

**Type 2**

Module	i	Z1	worm							z2	worm gear							Kg	
			dm1	dk1	d1	b1	e	f	i		dm2	dA	b2	dx	H	D	D1		dH7
1.6	107:1	1	28.0	31.2	30.5	42	90	22.5	35.0	107	172	177	20	152	60	85	128	40	6.10
2.0	82:1	1	35.5	39.5	40.5	46	90	225	350	82	164.5	171	24	142	60	85	118	40	17.40
2.5	62:1	1	42.5	47.5	40.5	50	90	225	350	62	157.5	165	28	134	60	85	112	40	7.60
3.15	52:1	1	33.5	39.8	40.5	58	110	225	350	52	166.5	176	26	140	60	85	115	40	7.70
	36:1	2	33.5	39.8	40.5	58	110	225	350	52	166.5	176	26	140	60	85	115	40	7.50
	12.25:1	4	33.5	39.8	40.5	58	110	225	350	49	166.5	176	26	140	60	85	115	40	7.60
4.0	39:1	1	40.0	48.0	40.5	64	110	225	350	39	160.0	172	32	128	60	85	-	40	8.30
	19.5:1	2	40.0	48.0	40.5	64	110	225	350	39	160.0	172	32	128	60	85	-	40	8.30
	9.25:1	4	40.0	48.0	40.5	64	110	225	350	37	160.0	172	32	128	60	85	-	40	8.30
5.0	29:1	1	50.0	60.0	40.5	70	110	225	350	29	150.0	165	38	112	60	85	-	40	9.10
	14.5:1	2	50.0	60.0	40.5	70	110	225	350	29	150.0	165	38	112	60	85	-	40	9.10
	6.75:1	4	50.0	60.0	40.5	70	110	225	350	27	150.0	165	38	112	60	85	-	40	9.00

**Centre distance a = 125mm**

**Type 2**

Module	i	Z1	worm							z2	worm gear							Kg	
			dm1	dk1	d1	b1	e	f	i		dm2	dA	b2	dx	H	D	D1		dH7
2.0	107:1	1	35.5	39.5	40.5	52	105	255	410	107	214.5	221	24	192	70	105	168	50	4.9
2.5	82:1	1	42.5	47.5	45.5	58	105	255	410	82	207.5	215	28	184	70	105	160	50	13.0
3.15	62:1	53.0	59.3	50.5	64	105	255	410	62	197.0	207	34	169	70	105	145	50	14.60	
4.0	52:1	1	40.0	48.0	50.5	75	135	205	410	52	210.0	222	32	179	70	105	155	50	14.2
	25.5:1	2	40.0	48.0	50.5	75	135	255	410	51	210.0	222	32	179	70	105	155	50	14.5
	12:1	4	40.0	48.0	50.5	75	135	275	410	48	210.0	222	32	179	70	105	155	50	14.5
5.0	39:1	1	50.0	60.0	50.5	82	135	255	410	39	200.0	215	38	160	70	105	136	50	15.5
	19.5:1	2	50.0	60.0	50.5	82	135	255	410	39	200.0	215	38	160	70	105	136	50	13.7
	9:1	4	50.0	60.0	50.5	82	135	255	410	36	200.0	215	38	160	70	105	136	50	15.5
6.3	29:1	1	63.0	75.6	50.5	85	135	255	410	29	187.0	206	50	142	70	105	117	50	17.7
	14.5:1	2	63.0	75.6	50.5	85	135	255	410	29	187.0	206	50	142	70	105	117	50	17.6
	6.75:1	4	63.0	75.6	50.5	85	135	255	410	27	187.0	206	142	142	70	105	117	50	18.0

# Steel Stock Sprockets

FOR ROLLER CHAINS DIN8187-ISO/R 606



## 06B 3/8" X 7/32"

Z	de	dp	dm	d	H
15	49.5	45.81	34	8	25
16	52.5	48.82	37	10	28
17	55.5	51.83	40	10	28
18	58.6	54.85	43	10	28
19	61.6	57.87	45	10	28
20	64.6	60.89	46	10	28
21	67.6	63.91	48	12	28
23	73.7	69.95	52	12	28
25	79.7	76.00	57	12	28
30	94.8	91.12	60	12	30

## 08B 1/2" X 5/16"

Z	de	dp	dm	d	H
13	57.9	53.06	37	10	28
14	61.9	57.07	41	10	28
15	65.9	61.09	45	10	28
16	69.9	65.10	50	12	28
17	74.0	69.11	52	12	28
18	78.0	73.14	56	12	28
19	82.0	77.16	60	12	28
20	86.0	81.19	64	12	28
21	90.1	85.22	68	14	28
23	98.1	93.27	70	14	28
25	106.2	101.33	70	14	28
30	126.3	121.50	80	16	30

## 10B 5/8" X 3/8"

Z	de	dp	dm	d	H
15	83.2	76.36	57	12	30
16	88.3	81.37	60	12	30
17	93.3	86.39	60	12	30
18	98.3	91.42	70	14	30
19	103.3	96.45	70	14	30
20	108.4	101.49	75	14	30
21	113.4	106.52	75	16	30
23	123.5	116.58	80	16	30
25	133.6	126.66	80	16	30
30	158.8	151.87	90	20	35

## 12B 3/4" X 7/16"

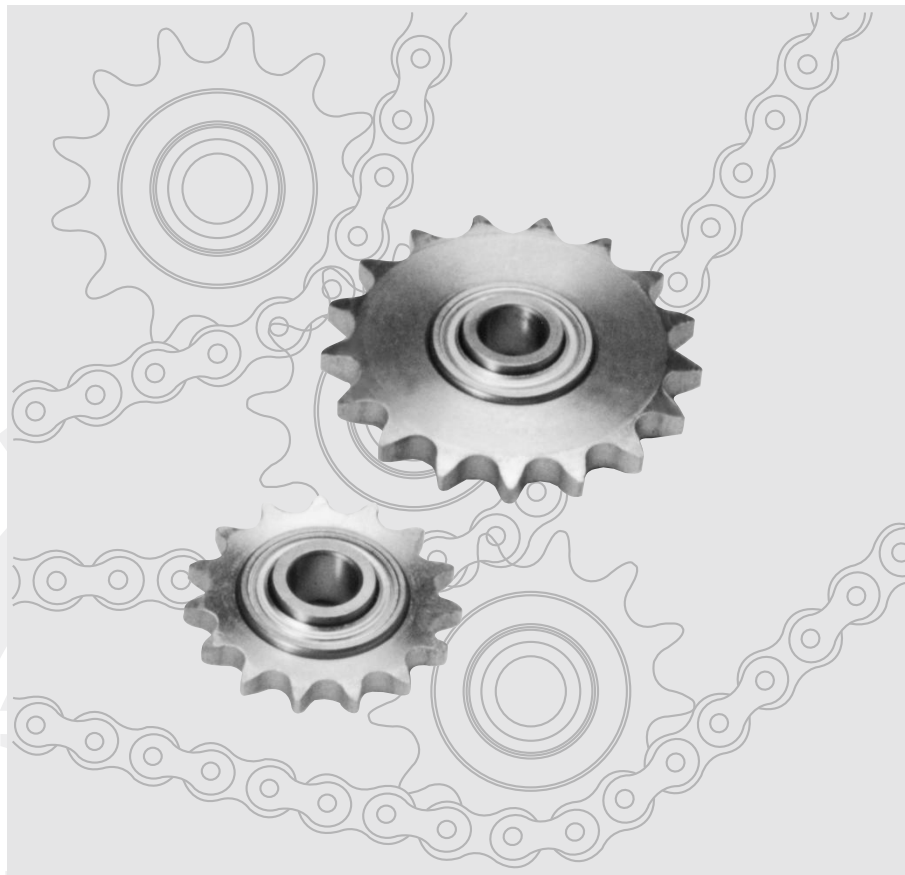
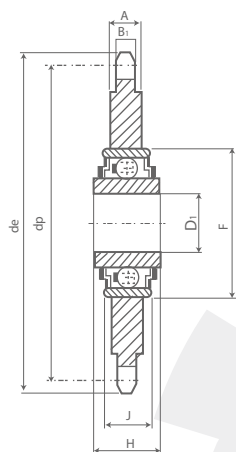
Z	de	dp	dm	d	H
13	87.8	79.59	58	16	35
14	93.8	85.61	64	16	35
15	99.8	91.63	70	16	35
16	105.8	97.65	75	16	35
17	111.9	103.67	80	16	35
18	117.9	109.71	80	16	35
19	123.9	115.75	80	16	35
20	130.0	121.78	80	16	35
21	136.0	127.82	90	20	40
23	148.1	139.90	90	20	40
25	160.2	152.00	90	20	40

## 16B 1" X 17.02mm

Z	de	dp	dm	d	H
13	117.7	106.12	78	16	40
14	125.7	114.15	84	16	40
15	133.7	122.17	92	16	40
16	141.8	130.20	100	20	45
17	149.8	138.22	100	20	45
18	157.8	146.28	100	20	45
19	165.9	154.33	100	20	45
20	173.9	162.38	100	20	45
21	182.0	170.43	110	20	50



# Tensional Sprockets

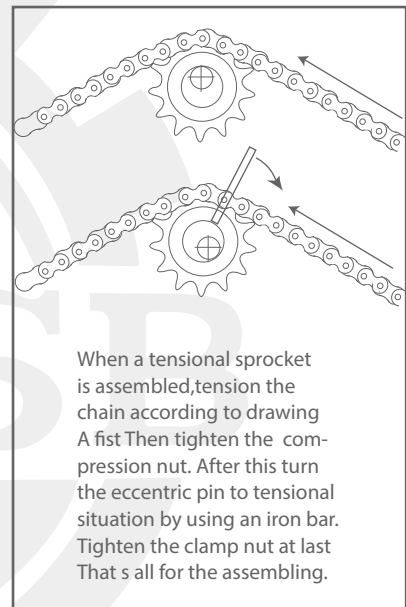
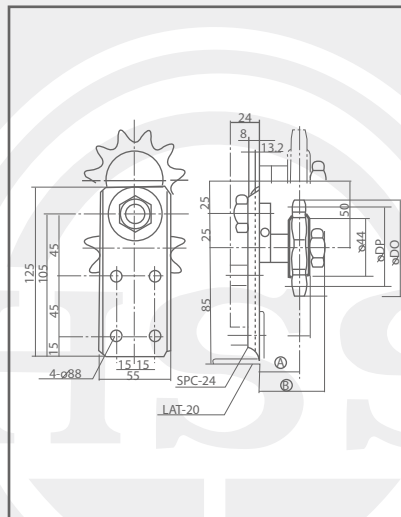
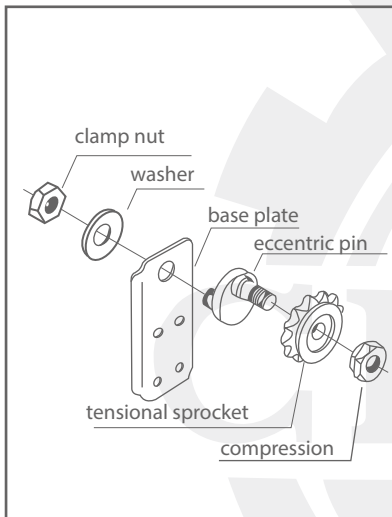


Z	PITCH	de	dp	B1	A	D1	F	H	J
23	8X1/8"	62	58.75	2.8	7	16 <sup>+0.26</sup> <sub>+0.13</sub>	40	18.3	12
21	3/8"X7/32"	68	63.91	5.3	7	16 <sup>+0.26</sup> <sub>+0.13</sub>	40	18.3	12
18	1/2"X1/8"	78.9	73.14	3	7	16 <sup>+0.26</sup> <sub>+0.13</sub>	40	18.3	12
18	1/2"X3/16"	78.9	73.14	4.5	7	16 <sup>+0.26</sup> <sub>+0.13</sub>	40	18.3	12
16	1/2"X5/16"	69.5	65.10	7.2	7.2	16 <sup>+0.26</sup> <sub>+0.13</sub>	40	18.3	12
18	1/2"X5/16"	77.8	73.14	7.2	7.2	16 <sup>+0.26</sup> <sub>+0.13</sub>	40	18.3	12
14	5/8"X3/8"	78.0	71.34	9.1	9.1	16 <sup>+0.26</sup> <sub>+0.13</sub>	40	18.3	12
17	5/8"X3/8"	93.0	86.30	9.1	9.1	16 <sup>+0.26</sup> <sub>+0.13</sub>	40	18.3	12
13	3/4"X7/16"	87.5	79.59	11.1	11.1	16 <sup>+0.26</sup> <sub>+0.13</sub>	40	18.3	12
15	3/4"X7/16"	99.8	91.63	11.1	11.1	16 <sup>+0.26</sup> <sub>+0.13</sub>	40	18.3	12
12	1"X17.02	109.0	98.14	16.2	16.2	20 <sup>+0.26</sup> <sub>+0.13</sub>	47	17.7	14
13	1"1/4X3/4"	147.8	132.65	18.5	18.5	25 <sup>+0.26</sup> <sub>+0.13</sub>	52	21	15

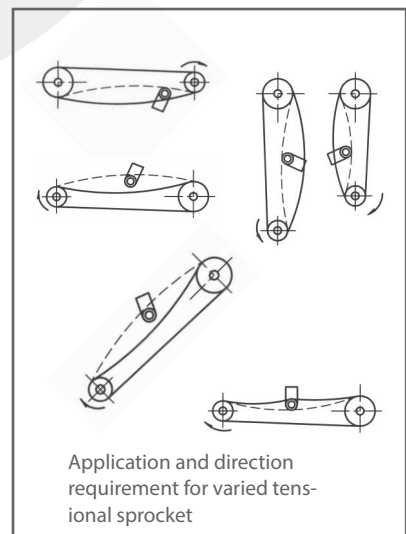
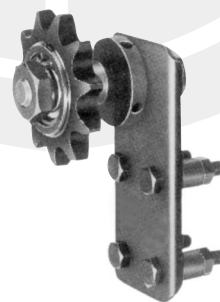
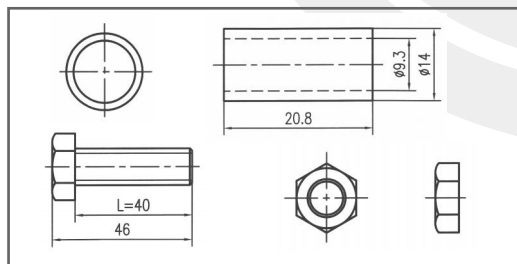
# Tensional Sprockets

T holder

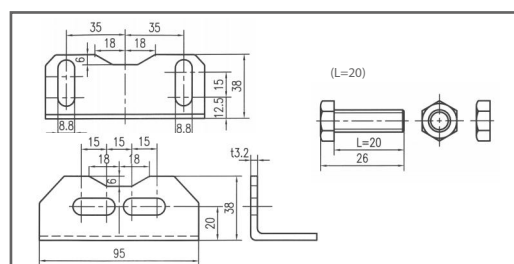
Type	Pitch	A	B
TH-B-06	P=3/8	26	47
TH-B-08	P=1/2	26	47
TH-B-10	P=5/8	26	47
TH-B-12	P=3/4	26	47
TH-B-16	P=1	30	51



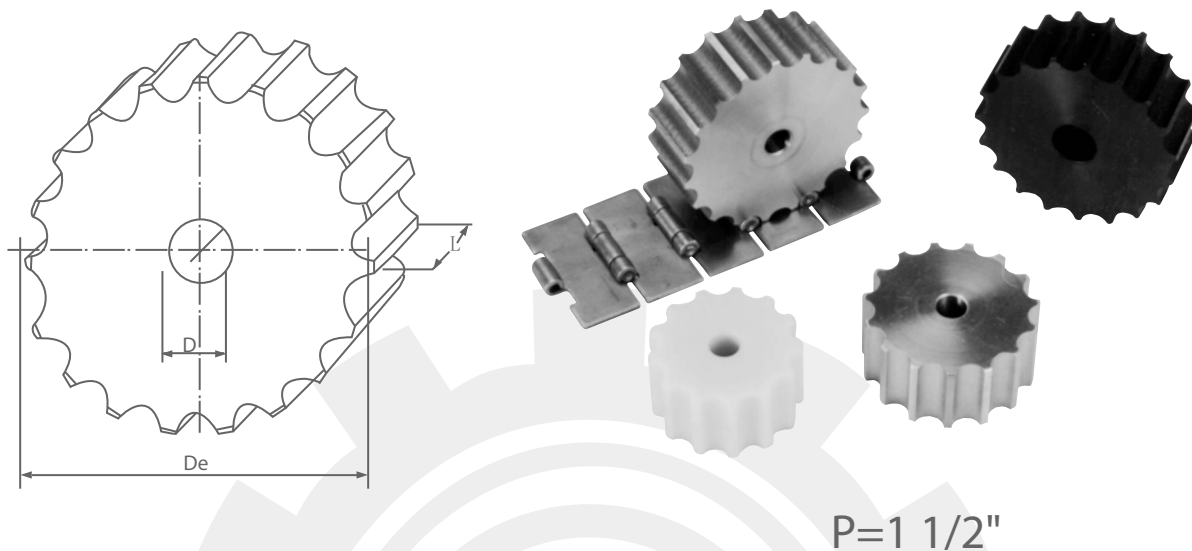
installed attachment A



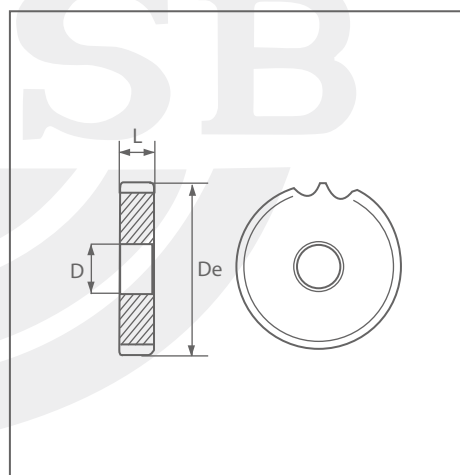
installed attachment B



## Wheels for hinge



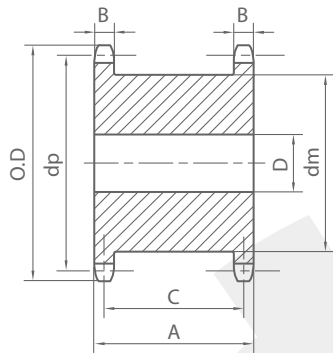
Z	De	D	L
13*	78.98	16	43.5
15	92.9	16	43.5
17	104.7	16	43.5
19	116.6	16	43.5
21	129.7	20	43.5
23	141.6	20	43.5
25	153.6	20	43.5
27	165.6	20	43.5
29	177.7	20	43.5
31	189.7	20	43.5



Material can be C45.SUS304.GG25.  
nylon.steel or cast iron.Surface can  
be treated as oxidizing,phosphating  
or zinc-plating

# Double simplex

FOR ROLLER CHAINS DIN8187-ISO/R 606



<b>DS12B 3/4"x7/16"</b>						
Z	OD	dp	C	D	dm	A
12	81.8	73.60	33.9	16	52	45
13	87.8	79.59		16	58	
14	93.8	85.61		16	64	
15	99.8	91.63		16	70	
16	105.8	97.65		16	76	
17	111.9	103.67		16	82	
18	117.9	109.71		16	88	
19	123.9	115.75		16	94	
20	130.0	121.78		16	100	
21	136.0	127.82		20	106	
22	142.0	133.86	20	112		
23	148.1	139.90	20	118		
24	154.1	145.94	20	124		
25	160.2	152.00	20	130		

<b>DS08B 1/2"x5/16"</b>						
Z	OD	dp	C	D	dm	A
12	53.9	49.07	23.8	10	33	31
13	57.90	53.06		10	37	
14	61.9	57.07		10	41	
15	65.9	61.09		10	45	
16	69.9	65.10		12	50	
17	74.0	69.11		12	52	
18	78.0	73.14		12	56	
19	82.0	77.16		12	60	
20	86.0	81.19		12	64	
21	90.1	85.22		14	68	
22	94.1	89.24	14	72		
23	98.1	93.27	14	76		
24	102.1	97.29	14	80		
25	106.2	101.33	14	84		

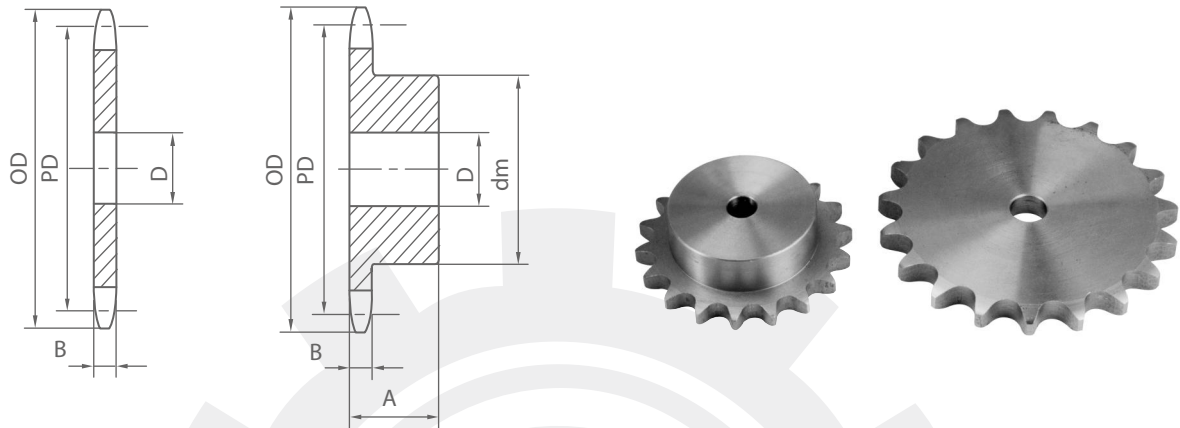
<b>DS16B 1"x17.02mm</b>						
Z	OD	dp	C	D	dm	A
12	109.7	98.14	47.3	16	69	63.5
13	117.7	106.12		16	78	
14	125.7	114.15		16	85	
15	133.7	122.17		16	93	
16	141.8	130.20		20	102	
17	149.8	138.22		20	110	
18	157.8	146.28		20	118	
19	165.8	154.38		20	126	
20	173.9	162.38		20	134	
21	182.0	170.43		20	142	
22	190.1	178.48	20	150		
23	198.5	186.53	20	158		
24	206.2	194.59	20	166		
25	214.2	202.66	20	174		

<b>DS10B 5/8"x3/8"</b>						
Z	OD	dp	C	D	dm	A
12	68.2	61.34	27.3	12	42	36.5
13	73.2	66.32		12	47	
14	78.2	71.34		12	52	
15	83.2	76.36		12	57	
16	88.3	81.37		12	63	
17	93.3	86.39		12	68	
18	98.3	91.42		14	73	
19	103.3	96.45		14	78	
20	108.4	101.49		14	83	
21	113.4	106.52		16	88	
22	118.4	111.55	16	93		
23	123.5	116.58	16	98		
24	128.5	121.62	16	103		
25	133.6	126.66	16	108		

<b>DS20B 1 1/4"x3/4"</b>						
Z	OD	dp	C	D	dm	A
12	137.0	122.68	52.4	20	88	70
13	147.5	132.65		20	98	
14	157.6	142.68		20	108	
15	167.7	152.72		20	118	
16	177.7	162.75		25	128	
17	187.8	172.78		25	138	
18	197.8	182.85		25	148	
19	207.9	192.91		25	158	
20	217.9	202.98		25	168	
21	228.0	213.04		30	178	
22	238.1	223.11	30	188		
23	248.2	233.17	30	198		
24	258.3	243.23	30	208		
25	268.4	253.32	30	218		

# sprockets ISO1275-1984

double pitch precision roller chains and chainwheels for transmission and conveyors



<b>S208B</b>		<b>P=25.4 B=7.10 ROLLER= <math>\phi</math> 8.51</b>				
Z		OD	D	PD	dm	A
15	7 1/2	67	12	62.45	45	28
17	8 1/2	76	12	70.31	50	28
18	9	80	12	74.26	52	28
19	9 1/2	84	12	78.23	56	28
20	10	88	12	82.20	60	28
21	10 1/2	92	14	86.17	64	28
22	11	96	14	90.16	68	28
23	11 1/2	100	14	94.15	70	28
24	12	104	14	98.14	70	28
25	12 1/2	108	14	102.14	70	28
26	13	112	16	106.14	70	30
27	13 1/2	116	16	110.14	70	30
28	14	120	16	114.15	70	30
29	14 1/2	124	16	118.16	80	30

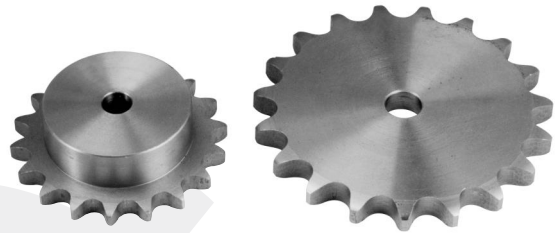
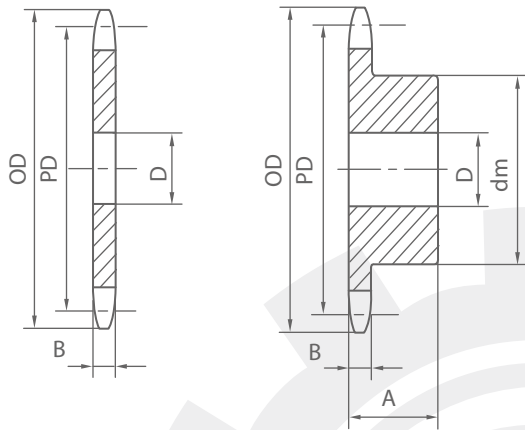
<b>S212B</b>		<b>P=38.1 B=11.10 ROLLER= <math>\phi</math> 12.07</b>				
Z		OD	D	PD	dm	A
15	7 1/2	101	16	93.67	70	35
17	8 1/2	113	16	105.47	80	35
18	9	119	16	111.40	80	35
19	9 1/2	126	16	117.34	80	35
20	10	132	16	123.30	80	35
21	10 1/2	138	20	129.26	90	40
22	11	144	20	135.24	90	40
23	11 1/2	150	20	141.22	90	40
24	12	156	20	147.21	90	40
25	12 1/2	162	20	153.20	90	40
26	13	168	20	159.20	95	40
27	13 1/2	174	20	165.21	95	40
28	14	181	20	171.22	95	40
29	14 1/2	187	20	177.23	95	40

<b>S210B</b>		<b>P=31.75 B=8.90 ROLLER= <math>\phi</math> 10.16</b>				
Z		OD	D	PD	dm	A
15	7 1/2	84	12	78.06	57	30
17	8 1/2	94	12	87.89	60	30
18	9	100	14	92.83	70	30
19	9 1/2	105	14	97.78	70	30
20	10	110	14	102.72	75	30
21	10 1/2	115	16	107.22	75	30
22	11	120	16	112.70	80	30
23	11 1/2	125	16	117.68	80	30
24	12	130	16	122.67	80	30
25	12 1/2	135	16	127.67	80	30
26	13	140	20	132.67	85	35
27	13 1/2	145	20	137.67	85	35
28	14	150	20	142.68	90	35
29	14 1/2	155	20	147.69	90	35

<b>S216B</b>		<b>P=50.8 B=15.80 ROLLER= <math>\phi</math> 15.875</b>				
Z		OD	D	PD	dm	A
15	7 1/2	135	16	124.90	92	45
17	8 1/2	151	20	140.62	100	45
18	9	159	20	148.53	100	45
19	9 1/2	167	20	156.45	100	45
20	10	176	20	164.39	100	45
21	10 1/2	184	20	172.35	100	45
22	11	192	20	180.31	100	45
23	11 1/2	200	20	188.24	110	45
24	12	208	20	196.28	110	45
25	12 1/2	216	20	204.27	110	45
26	13	224	20	212.27	120	45
27	13 1/2	233	20	220.28	120	45
28	14	241	20	228.30	120	45
29	14 1/2	249	20	236.31	120	45

# sprockets ISO1275-1984

double pitch precision roller chains and chainwheels for transmission and conveyors



<b>S2040</b>		<b>P=25.4 B=7.20 ROLLER= <math>\phi</math> 7.95</b>				
Z		OD	D	PD	dm	A
15	7 1/2	67	12	62.45	45	30
17	8 1/2	76	12	70.31	50	30
18	9	80	12	74.26	52	30
19	9 1/2	84	12	78.23	56	30
20	10	88	12	82.20	60	40
21	10 1/2	92	14	86.17	64	40
22	11	96	14	90.16	68	40
23	11 1/2	100	14	94.15	70	40
24	12	104	14	98.14	70	40
25	12 1/2	108	14	102.14	70	40
26	13	112	16	106.14	70	40
27	13 1/2	116	16	110.14	70	40
28	14	120	16	114.15	70	40
29	14 1/2	124	14	118.16	80	40

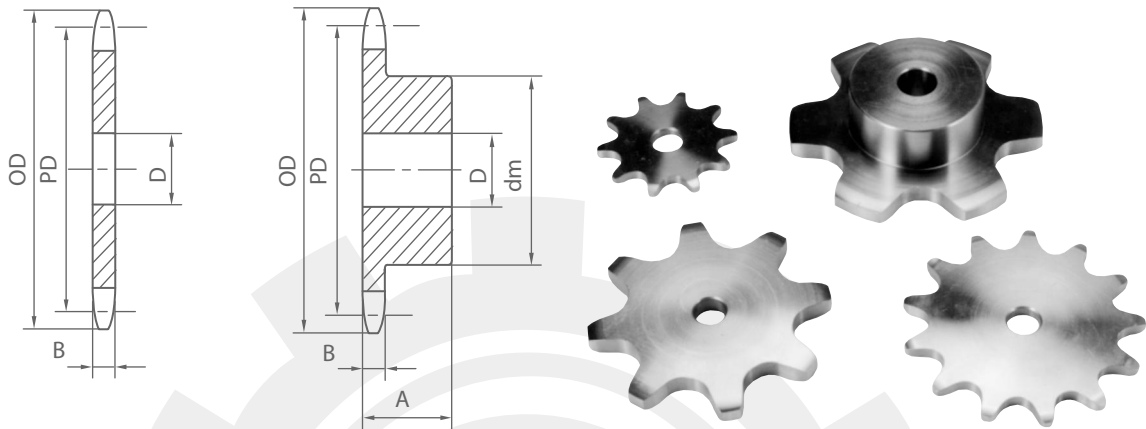
<b>S2060</b>		<b>P=38.1 B=11.60 ROLLER= <math>\phi</math> 11.91</b>				
Z		OD	D	PD	dm	A
15	7 1/2	101	16	93.67	70	40
17	8 1/2	113	16	105.47	80	40
18	9	119	16	111.40	80	40
19	9 1/2	126	16	117.34	80	40
20	10	132	16	123.30	80	45
21	10 1/2	138	20	129.26	90	45
22	11	144	20	135.24	90	45
23	11 1/2	150	20	141.22	90	45
24	12	156	20	147.21	90	45
25	12 1/2	162	20	153.20	90	45
26	13	168	20	159.20	95	45
27	13 1/2	174	20	165.21	95	45
28	14	181	20	171.22	95	45
29	14 1/2	187	20	177.23	95	45

<b>S2050</b>		<b>P=37.75 B=8.70 ROLLER= <math>\phi</math> 10.16</b>				
Z		OD	D	PD	dm	A
15	7 1/2	84	12	78.06	57	40
17	8 1/2	94	12	87.89	60	40
18	9	100	14	92.83	70	40
19	9 1/2	105	14	97.78	70	40
20	10	110	14	102.72	75	45
21	10 1/2	115	16	107.22	75	45
22	11	120	16	112.70	80	45
23	11 1/2	125	16	117.68	80	45
24	12	130	16	122.67	80	45
25	12 1/2	135	16	127.67	80	45
26	13	140	20	132.67	85	45
27	13 1/2	145	20	137.67	85	45
28	14	150	20	142.68	90	45
29	14 1/2	155	20	147.69	90	45

<b>S2080</b>		<b>P=50.80 B=15.80 ROLLER= <math>\phi</math> 15.875</b>				
Z		OD	D	PD	dm	A
15	7 1/2	135	16	124.90	90	50
17	8 1/2	151	20	140.62	100	50
18	9	159	20	148.53	100	50
19	9 1/2	167	20	156.45	100	50
20	10	176	20	164.39	100	60
21	10 1/2	184	20	172.35	100	60
22	11	192	20	180.31	100	60
23	11 1/2	200	20	188.24	110	60
24	12	208	20	196.28	110	60
25	12 1/2	216	20	204.27	110	60
26	13	224	20	212.27	120	60
27	13 1/2	233	20	220.28	120	60
28	14	241	20	228.30	120	60
29	14 1/2	249	20	236.31	120	60

# sprockets ISO1275-1984

double pitch precision roller chains and chainwheels for transmission and conveyors



<b>R2042</b>		<b>P=25.40 B=7.20 ROLLER= <math>\phi</math> 15.875</b>				
Z	OD	PD	D	De	dm	A
10	93	82.19	20	66.32	55	40
11	102	90.16	20	73.36	61	40
12	110	98.14	20	82.26	69	40
13	118	106.14	20	89.48	78	40
14	127	114.15	20	98.27	84	40
15	135	122.17	20	105.62	92	40
16	143	130.20	20	114.32	100	40
18	159	146.27	20	130.39	100	40
20	176	162.37	20	146.49	100	40
24	208	194.60	25	178.72	110	50
25	216	202.66	25	186.38	110	50
26	224	210.72	25	194.84	120	50
28	241	226.86	25	210.98	120	50
30	257	243.00	25	227.12	120	50

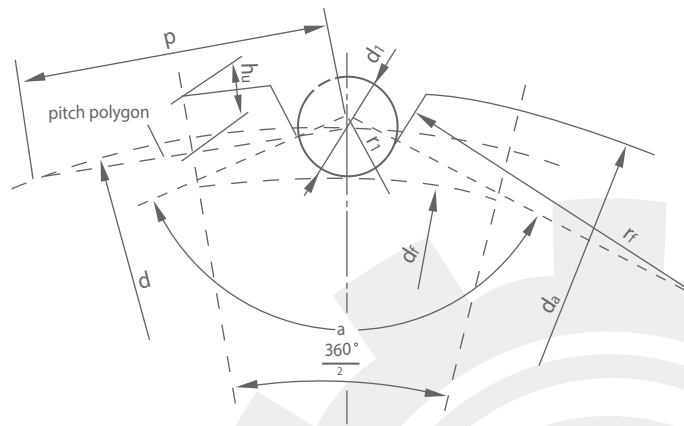
<b>R2062</b>		<b>P=38.10 B=11.60 ROLLER= <math>\phi</math> 22.225</b>				
Z	OD	PD	D	De	dm	A
10	140	123.30	25	101.07	80	45
11	153	135.00	25	111.63	90	45
12	165	147.21	25	124.98	100	45
13	177	159.20	25	135.81	110	45
14	190	171.22	25	148.49	125	45
15	202	183.25	25	160.02	145	50
16	214	195.29	30	173.06	160	50
18	239	219.41	30	197.18	160	60
20	263	243.55	30	221.32	160	60
24	312	291.90	30	269.67	160	60
25	324	303.99	30	281.67	160	60
26	331	316.09	30	293.86	160	60
28	361	340.29	30	318.06	160	65
30	385	364.50	30	342.27	160	65

<b>R2052</b>		<b>P=31.75 B=8.70 ROLLER= <math>\phi</math> 19.05</b>				
Z	OD	PD	D	De	dm	A
10	117	102.75	20	83.70	70	45
11	127	112.70	20	92.50	77	45
12	138	122.67	20	103.62	88	45
13	148	132.67	20	112.65	98	45
14	158	142.68	20	123.68	108	45
15	168	152.71	20	132.82	118	45
16	179	162.75	25	143.69	120	45
18	199	182.84	25	163.79	120	45
20	220	202.96	25	183.91	120	45
24	260	243.25	30	224.20	140	60
25	270	253.32	30	233.78	140	60
26	281	263.40	30	244.35	150	60
28	301	283.57	30	264.52	150	60
30	321	303.75	30	284.70	150	60

<b>R2082</b>		<b>P=50.80 B=14.60 ROLLER= <math>\phi</math> 28.575</b>				
Z	OD	PD	D	De	dm	A
10	187	164.39	30	135.81	115	65
11	204	181.31	30	152.74	125	65
12	220	196.28	30	167.70	135	65
13	237	212.27	30	182.14	145	65
14	253	228.30	30	199.27	145	65
15	270	244.30	30	215.73	145	65
16	286	260.39	30	231.81	160	75
18	319	292.55	30	263.97	180	75
20	351	324.19	40	296.16	180	75
24	416	389.19	40	360.16	180	75
25	433	405.32	40	375.94	180	75
26	449	421.45	40	392.87	180	75
28	481	453.72	40	425.14	180	85
30	514	485.99	40	457.41	180	85

# Sprockets - Chain

ISO 1275-1995

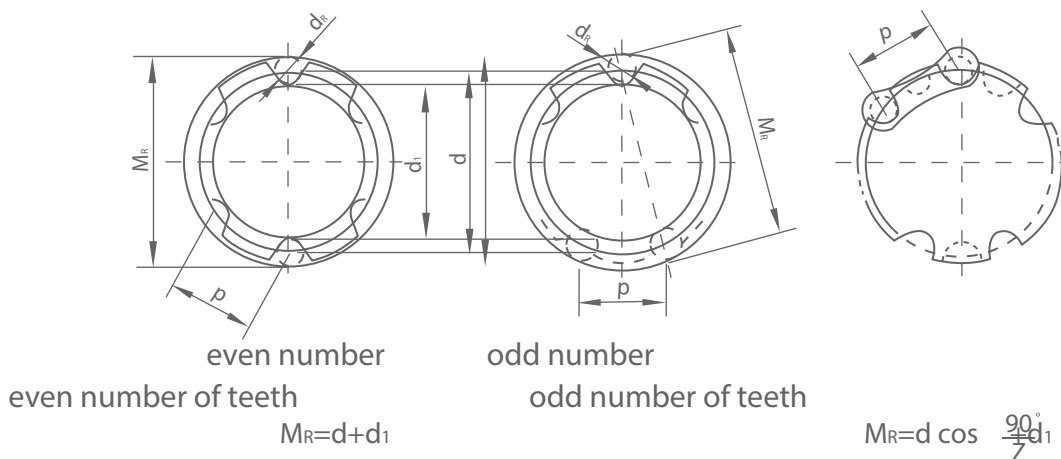


Z=Teeth  
P=Pitch  
d<sub>1</sub>=Roller Diameter  
d<sub>a</sub>=Addendum Circle  
d=Graduated Circle  
d<sub>f</sub>=Diameter of dedendum Circle  
r<sub>e</sub>=Arc radius of teeth flank  
r<sub>i</sub>=Arc radius of teeth root

## sprocket diameter formula

name	code	formula	note
Pitch reference cylinder	d	$d = \frac{P}{\sin \frac{180^\circ}{Z}}$	P=Pitch Z=Teeth
tip diameter	d <sub>a</sub>	$d_a = P(0.6 + \text{ctg} \frac{180^\circ}{Z})$	
root diameter	d <sub>f</sub>	$d_f = d - d_1$	d <sub>1</sub> =Roller Diameter
hub diameter	MHD	$MHD = P(\text{ctg} \frac{180^\circ}{Z}) - 0.76$	

## Checking method for tooth space accuracy

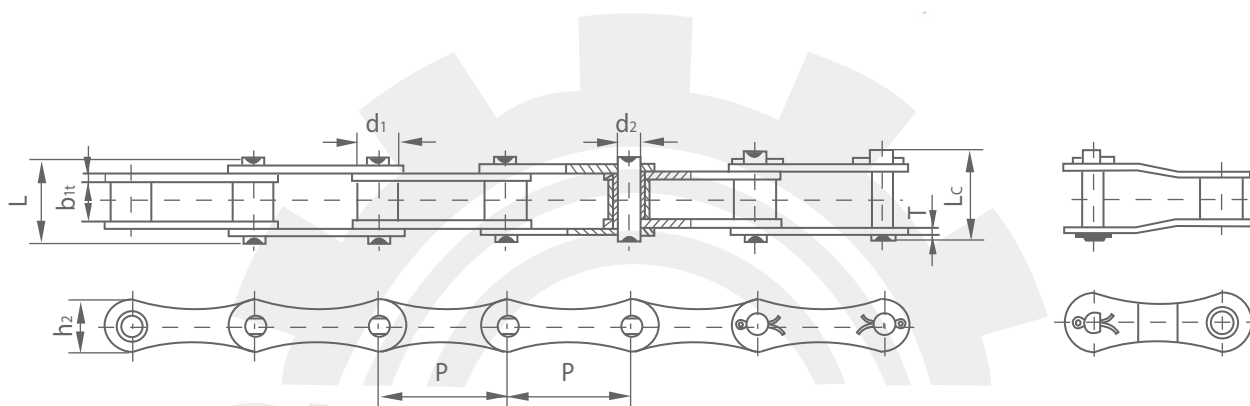




# Sprockets - Chain

ISO 1275-1995

## Double pitch transmission chains



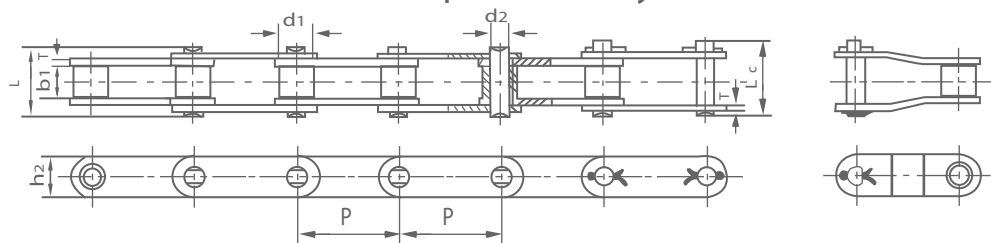
DIN ISO Chain No.	ANSI Chain No.	Pitch	Roller diameter	Width between inner plates	Pin diameter	Pin length		Inner plate depth	Plate thickness	Ultimate tensile strength	Average tensile strength	Weight per meter
		P	d <sub>1</sub> max	b <sub>1</sub> min	d <sub>2</sub> max	L max	L <sub>c</sub> max	h <sub>2</sub> max	t/T max	Q min	Q <sub>0</sub>	q
		mm	mm	mm	mm	mm	mm	mm	mm	kN	kN	kg/m
208A	2040	25.40	7.95	7.85	3.96	16.6	17.8	12.07	1.50	14.1	16.7	0.42
208B		25.40	8.51	7.75	4.45	16.7	18.2	11.81	1.60	18.0	19.4	0.45
210A	2050	31.75	10.16	9.40	5.08	20.7	22.2	15.09	2.03	22.2	28.1	0.73
210B		31.75	10.16	9.65	5.08	19.5	20.9	14.7	1.70	22.4	27.5	0.65
212A	2060	38.10	11.91	12.57	5.94	25.9	27.7	18.08	2.42	31.8	36.8	1.02
212B		38.10	12.07	11.68	5.72	22.5	25.2	16.0	1.85	29.0	32.2	0.76
216A	2080	50.80	15.88	15.75	7.92	32.7	36.5	24.13	3.25	56.7	65.7	1.70
216AH		50.80	15.88	15.75	7.92	36.2	39.4	24.0	4.00	56.7	70.0	2.17
216B		50.80	15.88	17.02	8.28	36.1	39.1	21.0	4.15/3.1	60.0	72.8	1.75
220A	2100	63.50	19.05	18.90	9.53	40.4	44.7	30.48	4.00	88.5	102.6	2.55
220B		63.50	19.05	19.54	10.19	41.3	45.0	26.4	4.5/3.5	95.0	106.7	2.62
224A	2120	76.20	22.23	25.22	11.10	50.3	54.3	36.55	4.80	127.0	147.3	4.06
224B		76.20	25.40	25.40	14.63	53.4	57.8	33.2	6.0/4.8	160.0	178.0	4.70
228B		88.90	27.94	30.99	15.90	65.1	69.5	36.7	7.5/6.0	200.0	222.0	6.23
232B		101.60	29.21	30.99	17.81	66.0	71.0	42.0	7.0/6.0	250.0	277.5	6.72

# Sprockets - Chain

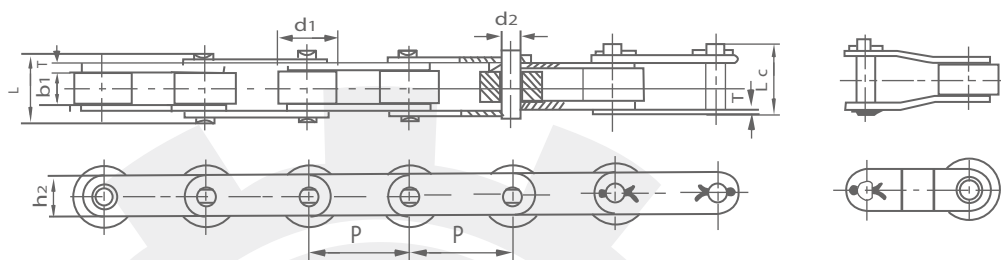
## ISO 1275-1995

### Double pitch conveyor chains

Small roller type



Large roller type

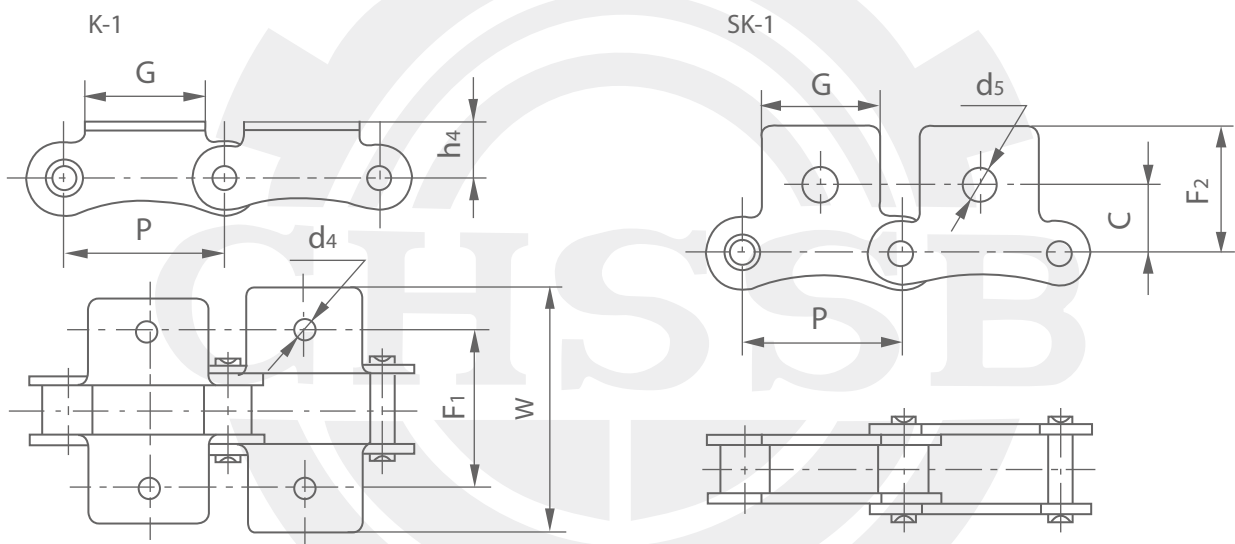
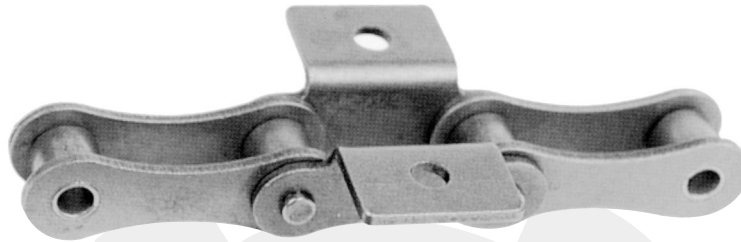


DIN ISO Chain No.	ANSI Chain No.	Pitch	Roller diameter	Width between inner plates	Pin diameter	Pin length		Inner plate depth	Plate thickness	Ultimate tensile strength	Average tensile strength	Weight per meter
		P	d <sub>1</sub> max	b <sub>1</sub> min	d <sub>2</sub> max	L max	L <sub>c</sub> max	h <sub>2</sub> max	T max	Q min	Q <sub>0</sub>	q
		mm	mm	mm	mm	mm	mm	mm	mm	kN	kN	kg/m
C208A	C2040	25.40	7.95	7.85	3.4	16.6	17.8	12.0	1.50	14.1	16.7	0.50
C208AL	C2042		15.88									
C208AH	C2040H	25.40	7.95	7.85	3.96	18.8	19.9	12.0	2.03	14.1	17.2	0.65
C208B		25.40	8.51	7.75	4.45	16.7	18.2	11.8	1.60	18.0	19.4	0.55
C208BL			15.88									
C210A	C2050	31.75	10.16	9.40	5.5	20.7	22.2	15.0	2.03	22.2	28.1	0.78
C210AL	C2052		19.05									
C212A	C2060	38.10	11.91	12.57	5.5	25.9	27.7	18.0	2.42	31.8	36.8	1.12
C212AL	C2062		22.23									
C212AH	C2060H	38.10	11.91	12.57	5.94	29.2	31.6	18.0	3.25	31.8	41.6	1.44
C212AHL	C2062H		22.23									
C216A	C2080	50.80	15.88	15.75	7.92	32.7	36.5	24.0	3.25	56.7	65.7	2.08
C216AL	C2082		28.58									
C216AH	C2080H	50.80	15.88	15.75	6.6	36.5	39.4	24.4	4.00	56.7	70.0	2.54
C216AHL	C2082H		15.88									
C220A	C2100	63.50	19.05	18.90	9.2	40.4	44.7	30.0	4.00	88.5	102.6	3.01
C220AL	C2102		39.67									
C220AH	C2100H	63.50	19.05	18.90	9.53	43.6	46.9	30.0	4.80	88.5	112.4	3.56
C220AHL	C2102H		39.67									
C224A	C2120	76.20	22.23	25.22	11.10	50.3	54.3	35.7	4.80	127.0	147.3	4.66
C224AL	C2122		44.45									
C224AH	C2120H	76.20	22.23	25.22	11.10	53.5	57.5	35.7	5.60	127.0	160.9	5.26
C224AHL	C2122H		44.45									
C232A	C2160	101.60	28.58	31.75	14.27	64.8	69.6	47.8	6.40	226.8	278.9	8.23
C232AL	C2162		57.15									
C232AH	C2160H	101.60	28.58	31.75	14.27	68.2	73.0	47.8	7.20	226.8	285.8	9.06
C232AHL	C2162H		57.15									

# Sprockets - Chain

ISO 1275-1995

Double pitch transmission chain attachments

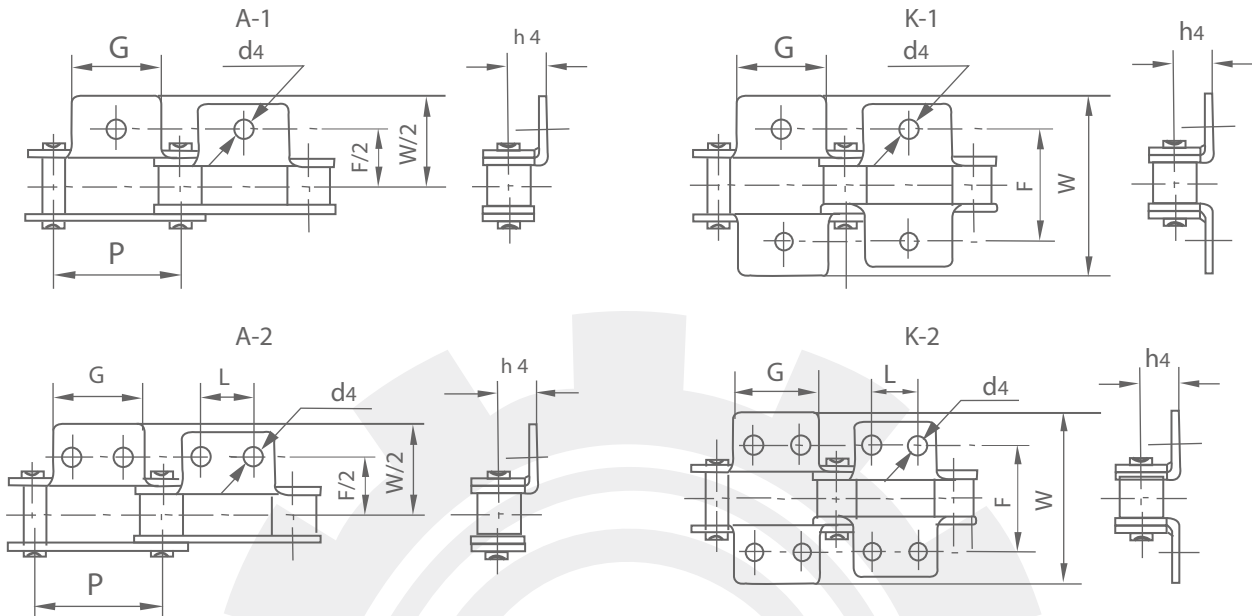


DIN ISO Chain No.	ANSI Chain No.	P	G	F <sub>1</sub>	W	h <sub>4</sub>	d <sub>4</sub>	C	F <sub>2</sub>	d <sub>5</sub>
		mm	mm	mm	mm	mm	mm	mm	mm	mm
208A	2040	25.40	19.1	25.4	39.6	9.1	3.4	11.1	20.5	5.5
210A	2050	31.75	23.8	31.8	49.0	11.1	5.5	14.3	25.0	6.6
212A	2060	38.10	28.6	42.9	67.8	14.7	5.5	17.5	32.9	9.2
216A	2080	50.80	38.1	55.6	87.8	19.1	6.8	22.2	43.5	11.0
220A	2100	63.50	47.6	66.6	107.5	23.4	9.2	28.6	50.4	13.0
224A	2120	76.20	57.2	79.3	127.5	27.8	11.0			

# Sprockets - Chain

ISO 1275-1995

Double pitch conveyor chains attachments

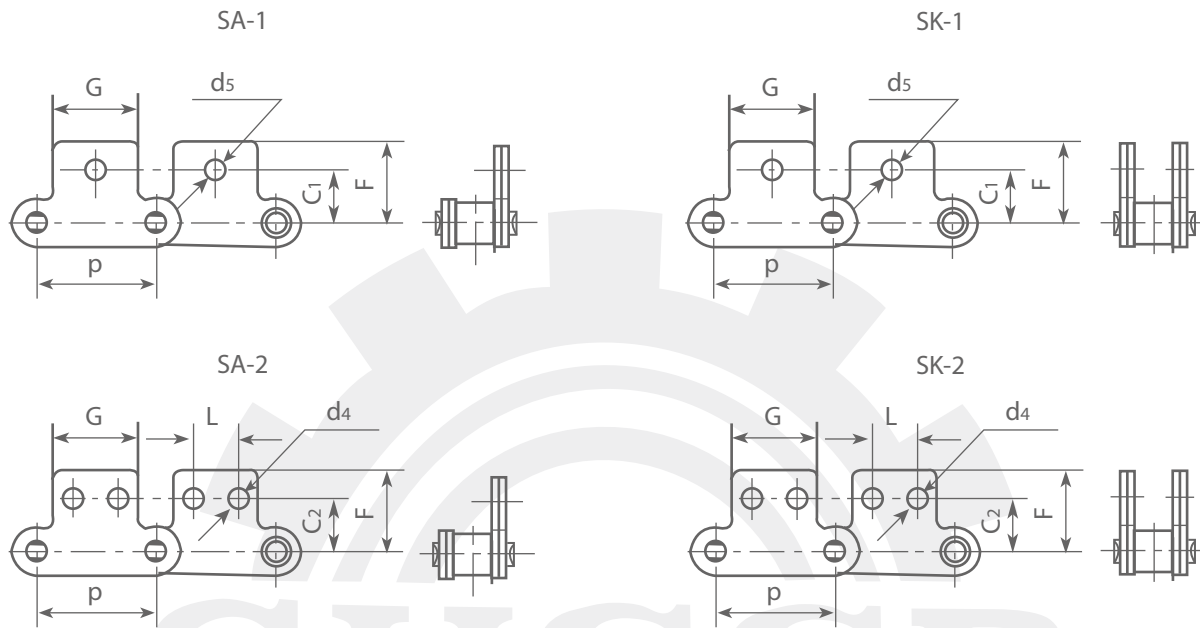


DIN ISO Chain No.	ANSI ChainNo.	P	G	L	F	W	h <sub>c</sub>	d <sub>4</sub>
		mm	mm	mm	mm	mm	mm	mm
C208A C208AL	C2040 C2042	25.4	19.1	9.5	15.4	39.6	9.1	3.4
C208B C208BL		25.4	23.2	12.7	25.4	39.6	9.1	4.5
C210A C210AL	C2050 C2052	31.75	23.8	11.9	31.8	49.0	11.1	5.5
C212A C212AL	C2060 C2062	38.1	28.6	14.3	42.9	67.8	14.7	5.5
C212AH C212AHL	C2060H C2062H	38.1	28.6	14.3	42.9	67.8	14.7	5.5
C216A C216AL	C2080 C2082	50.8	38.1	19.1	55.6	87.8	19.1	6.8
C216AH C216AHL	C2080H C2082H	50.8	38.1	19.1	55.6	87.8	19.1	6.8
C220A C220AL	C2100 C2102	63.5	47.6	23.8	66.6	107.5	23.4	9.2
C220AH C220AHL	C2100H C2102H	63.5	47.6	23.8	66.6	107.5	23.4	9.2
C224A C224AL	C2120 C2122	76.2	57.2	28.6	79.3	121.4	27.8	11.0
C224AH C224AHL	C2120H C2122H	76.2	57.2	28.6	79.3	121.4	27.8	11.0
C232A C232AL	C2160 C2162	101.6	76.2	38.1	104.7	151.6	36.5	13.1
C232AH C232AHL	C2160H C2162H	101.6	76.2	38.1	104.7	151.6	36.5	13.1

# Sprockets - Chain

ISO 1275-1995

## Double pitch conveyor chains attachments



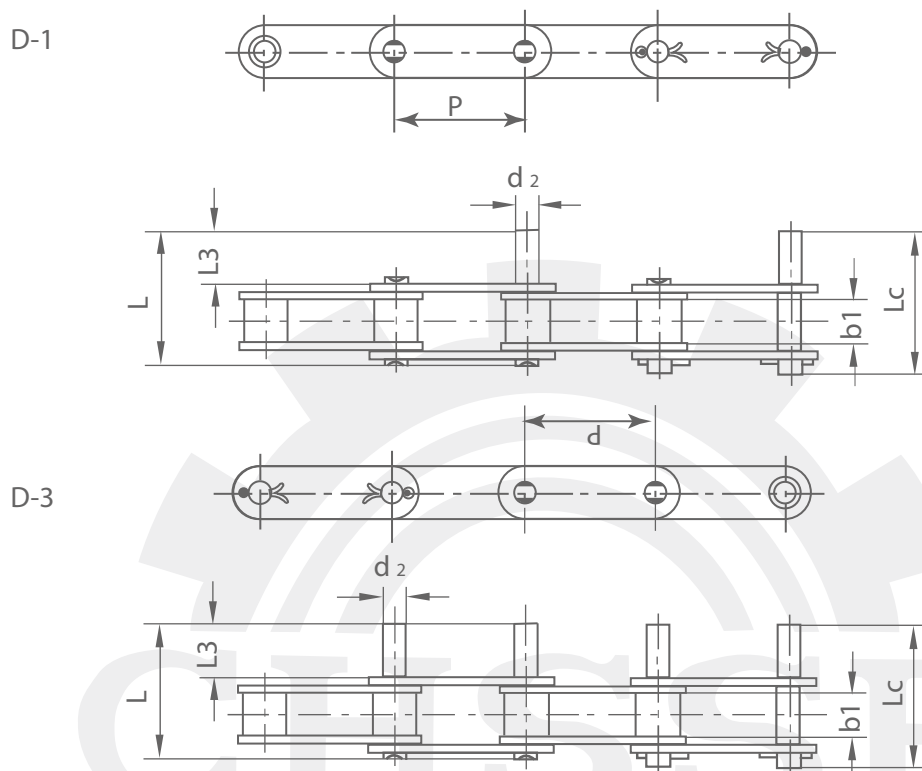
### DONGHUA-CHAINS

DIN ISO Chain No.	ANSI Chain No.	P	G	L	C <sub>1</sub>	C <sub>2</sub>	F	d <sub>4</sub>	d <sub>s</sub>
		mm	mm	mm	mm	mm	mm	mm	mm
C208A C208AL	C2040 C2042	25.40	19.1	9.5	11.1	13.5	20.05	3.4	5.5
C208B C208BL		25.40	23.2	12.7	11.1	13.5	20.5	4.5	5.5
C210A C210AL	C2050 C2052	31.75	23.8	11.9	14.3	15.9	25.0	5.5	6.6
C212A C212AL	C2060 C2062	38.10	28.6	14.3	17.5	19.1	32.9	5.5	9.2
C212AH C212AHL	C2060H C2062H	38.10	28.6	14.3	17.5	19.1	32.9	5.5	9.2
C216A C216AL	C2080 C2082	50.80	38.1	19.1	22.2	25.4	43.5	6.6	11.0
C216AH C216AHL	C2080H C2082H	50.80	38.1	19.1	22.2	25.4	43.5	6.6	11.0
C220A C220AL	C2100 C2102	63.50	47.6	23.8	28.6	31.8	50.4	8.4	13.0
C220AH C220AHL	C2100H C2102H	63.50	47.6	23.8	28.6	31.8	50.4	8.4	13.0

# Sprockets - Chain

ISO 1275-1995

## Double pitch conveyor chains attachments

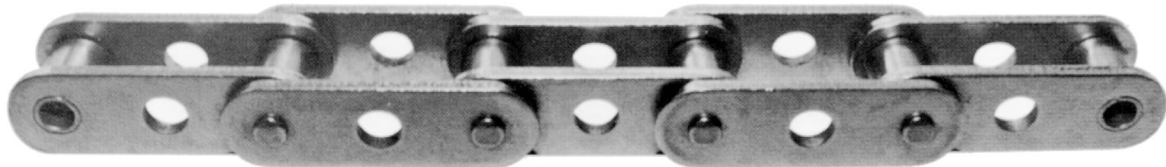


DIN ISO Chain No.	ANSI Chain No.	P	b <sub>2</sub>	d <sub>2</sub>	L <sub>3</sub>	L	L <sub>c</sub>
		mm	mm	mm	mm	mm	mm
C208A C208AL	C2040 C2042	25.40	7.85	3.96	9.5	25.1	26.2
C210A C210AL	C2050 C2052	31.75	9.40	5.08	11.9	31.3	33.1
C212A C212AL	C2060 C2062	38.10	12.57	5.94	14.3	38.6	40.6
C212AH C212AHL	C2060H C2062H	38.10	12.57	5.94	14.3	42.0	43.8
C216A C216AL	C2080 C2082	50.80	15.75	7.92	19.1	50.3	53.3
C216AH C216AHL	C2080H C2082H	50.80	15.75	7.92	19.1	53.5	55.0
C220A C220AL	C2100 C2102	63.50	18.90	9.53	23.8	61.8	66.1
C220AH C220AHL	C2100H C2102H	63.50	18.90	9.53	23.8	65.0	68.3
C224A C224AL	C2120H C2122H	76.20	25.22	11.10	28.6	79.6	83.6
C232AH C232AHL	C2160H C2162H	101.60	31.75	14.27	38.1	103.0	107.8

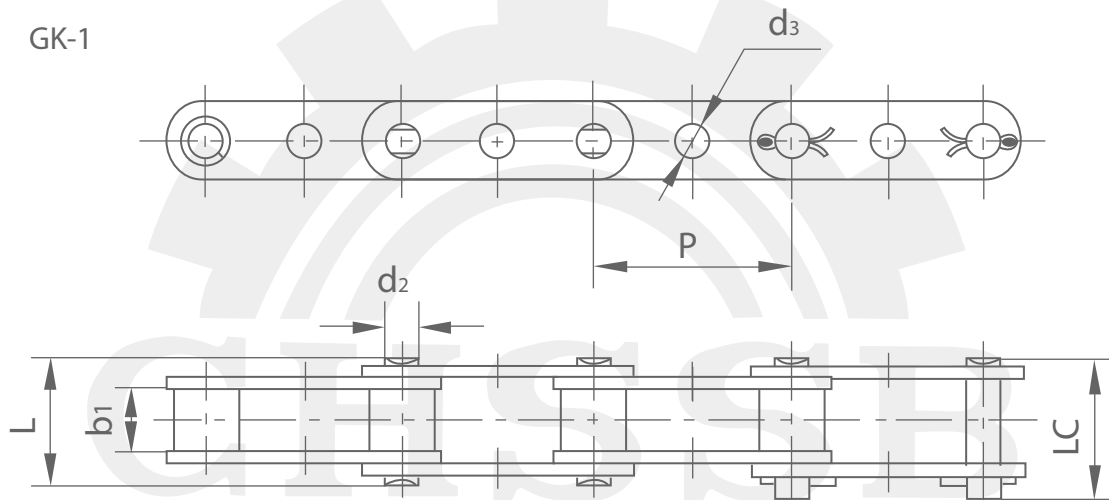
# Sprockets - Chain

ISO 1275-1995

Double pitch conveyor chains attachments



GK-1

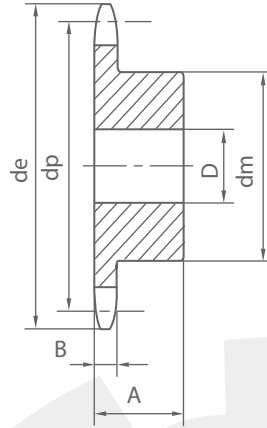
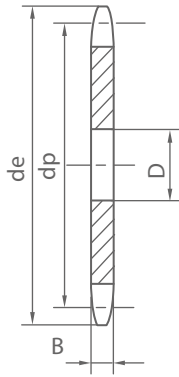


## DONGHUA-CHAINS

DIN ISO Chain No.	ANSI Chain No.	P	b <sub>2</sub>	d <sub>2</sub>	d <sub>3</sub>	L	L <sub>c</sub>
		mm	mm	mm	mm	mm	mm
C208A C208AL	C2040 C2042	25.40	7.85	3.96	4.1	16.6	18.8
C210A C210AL	C2050 C2052	31.75	9.40	5.08	5.1	20.7	23.3
C212A C212AL	C2060 C2062	38.10	12.57	5.94	6.1	25.9	28.3
C212AH C212AHL	C2060H C2062H	38.10	12.57	5.94	6.1	29.2	31.6
C216A C216AL	C2080 C2082	50.80	15.75	7.92	8.1	32.7	36.5
C216AH C216AHL	C2080H C2082H	50.80	15.75	7.92	8.1	36.2	39.4
C220A C220AL	C2100 C2102	63.50	18.90	9.53	10.1	40.4	44.7
C220AH C220AHL	C2100H C2102H	63.50	18.90	9.53	10.1	43.6	46.9

# Sprockets

PLATE WHEELS FOR CHAIN CONVEYORS  
AND CHAIN ELEVATORS



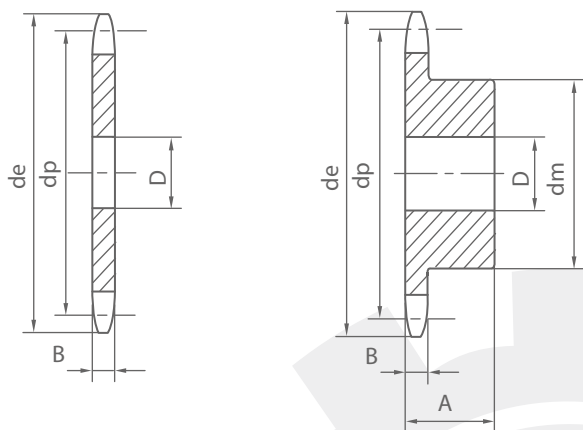
**P50**

z	P.50-R25						*P.50-R28						P.50-31					
	de	dp	dm	D	B	A	de	dp	dm	D	B	A	de	dp	dm	D	B	A
6	121.0	100.00	58	20	10.5	40.5	115.0	100.00	58	20	13.5	43.5	120.0	100.00	58	20	13.5	43.5
7	136.0	115.24	58	20	10.5	40.5	132.0	115.24	58	20	13.5	43.5	135.0	115.24	58	20	13.5	43.5
8	151.0	130.65	58	20	10.5	40.5	149.0	130.65	58	20	13.5	43.5	150.0	130.65	58	20	13.5	43.5
9	167.0	146.20	58	20	10.5	40.5	165.0	146.20	58	20	13.5	43.5	166.0	146.20	58	20	13.5	43.5
10	183.0	161.80	88	25	10.5	45.5	180.0	161.80	88	25	13.5	48.5	182.0	161.80	88	25	13.5	48.5
11	198.5	177.50	88	25	10.5	45.5	197.0	177.50	88	25	13.5	48.5	197.5	177.50	88	25	13.5	48.5
12	214.0	193.20	88	25	10.5	45.5	212.0	193.20	88	25	13.5	48.5	213.0	193.20	88	25	13.5	48.5
13	230.0	208.95	88	25	10.5	45.5	228.0	208.95	88	25	13.5	48.5	229.0	208.95	88	25	13.5	48.5
14	245.5	224.70	88	25	10.5	45.5	244.0	224.70	88	25	13.5	48.5	244.5	224.70	88	25	13.5	48.5
15	261.5	240.45	88	25	10.5	45.5	260.0	240.45	88	25	13.5	48.5	260.5	240.45	88	25	13.5	48.5
16	277.5	256.30	118	30	10.5	60.5	276.0	256.30	118	30	13.5	63.5	276.5	256.30	118	30	13.5	63.5
17	293.0	272.11	118	30	10.5	60.5	292.0	272.11	118	30	13.5	63.5	292.0	272.11	118	30	13.5	63.5
18	309.0	287.95	118	30	10.5	60.5	307.0	287.95	118	30	13.5	63.5	308.0	287.95	118	30	13.5	63.5
19	325.0	303.80	118	30	10.5	60.5	322.0	303.80	118	30	13.5	63.5	324.0	303.80	118	30	13.5	63.5
20	340.5	319.60	118	30	10.5	60.5	339.0	319.60	118	30	13.5	63.5	339.5	319.60	118	30	13.5	63.5
21	356.5	335.45	118	30	10.5	60.5	355.0	335.45	118	30	13.5	63.5	355.5	335.45	118	30	13.5	63.5
22	372.5	351.35	118	30	10.5	60.5	371.0	351.35	118	30	13.5	63.5	371.5	351.35	118	30	13.5	63.5
23	388.0	367.20	118	30	10.5	60.5	387.0	367.20	118	30	13.5	63.5	387.0	367.20	118	30	13.5	63.5
24	404.0	383.05	118	30	10.5	60.5	403.0	383.05	118	30	13.5	63.5	403.0	383.05	118	30	13.5	63.5
25	420.0	398.95	118	30	10.5	60.5	418.0	398.95	118	30	13.5	63.5	419.0	398.95	118	30	13.5	63.5
26	434.0*	414.80	133	30	10.5	62	434.0	414.80	133	30	13.5	65	435.0	414.80	133	30	13.5	65
27	450.0*	430.70	133	30	10.5	62	450.0	430.70	133	30	13.5	65	450.0*	430.70	133	30	13.5	65
28	467.5	446.55	133	30	10.5	62	466.0	446.55	133	30	13.5	65	466.5	446.55	133	30	13.5	65
29	482.0*	462.45	133	30	10.5	62	482.0	462.45	133	30	13.5	65	482.0*	462.45	133	30	13.5	65
30	499.5	478.35	133	30	10.5	62	498.0	478.35	133	30	13.5	65	498.5	478.35	133	30	13.5	65
31	514.0*	494.25	133	30	10.5	62	514.0	494.25	133	30	13.5	65	514.0*	494.25	133	30	13.5	65
32	530.0*	510.10	133	30	10.5	62	530.0	510.10	133	30	13.5	65	530.0	510.10	133	30	13.5	65
35	579.0	557.80	133	30	10.5	62	577.0	557.80	133	30	13.5	65	579.0	557.80	133	30	13.5	65
36	593.0*	573.70	133	30	10.5	62	593.0	573.70	133	30	13.5	65	593.0*	573.70	133	30	13.5	65
38	626.5	605.45	133	30	10.5	62	625.0	605.45	133	30	13.5	65	625.5	605.45	133	30	13.5	65



# Sprockets

PLATE WHEELS FOR CHAIN CONVEYORS  
AND CHAIN ELEVATORS

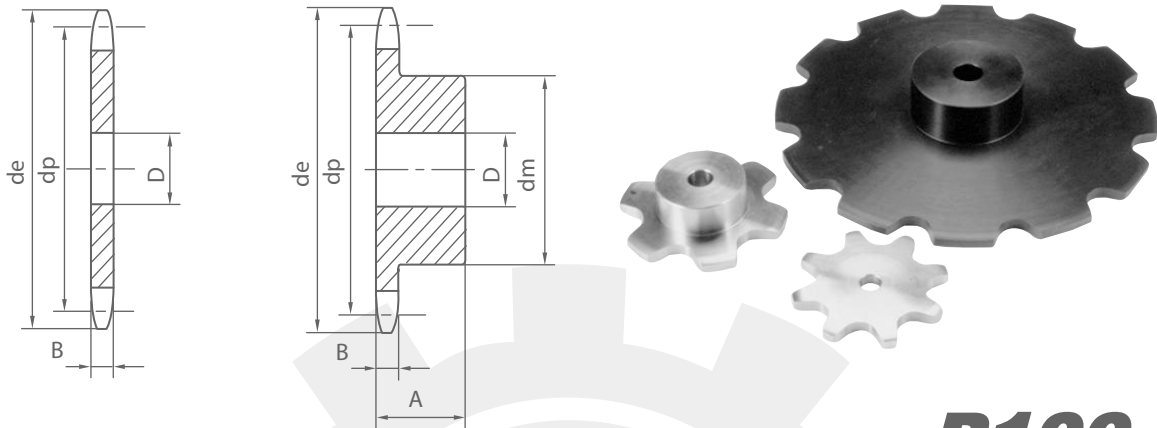


## P75

z	P.75-R.25						P.75-R.31						
	de	dp	dm	D	B	A	de	dp	dm	D	B	A	
6*	165.0	150.00	88	25	10.5	45.5	168.0	150.00	88	25	13.5	48.5	
7*	188.0	172.86	88	25	10.5	45.5	192.0*	172.86	88	25	13.5	48.5	
8	211.0	195.98	88	25	10.5	45.5	215.0	195.98	88	25	13.5	48.5	
9*	234.0	219.30	88	25	10.5	45.5	238.0	219.30	88	25	13.5	48.5	
10	258.0	242.70	118	25	10.5	60.5	261.0	242.70	118	30	13.5	63.5	
11*	282.0	266.25	118	30	10.5	60.5	286.0	266.25	118	30	13.5	63.5	
12*	305.0	289.80	118	30	10.5	60.5	309.0	289.80	118	30	13.5	63.5	
13*	329.0	313.42	118	30	10.5	60.5	333.0	313.42	118	30	13.5	63.5	
14*	353.0	337.05	118	30	10.5	60.5	357.0	337.05	118	30	13.5	63.5	
15*	376.0	360.72	118	30	10.5	60.5	380.0	360.72	118	30	13.5	63.5	
							C45					C45	
16*	400.0	384.45	133	30	10.5	62	404.0	384.45	133	30	13.5	65	
17*	424.0	408.16	133	30	10.5	62	428.0*	408.16	133	30	13.5	65	
18*	447.0	431.92	133	30	10.5	62	451.0*	431.92	133	30	13.5	65	
19*	471.0	455.70	133	30	10.5	62	475.0*	455.70	133	30	13.5	65	
20*	495.0	479.40	133	30	10.5	62	499.0	479.40	133	30	13.5	65	
21*	519.0	503.17	133	30	10.5	62	523.0	503.17	133	30	13.5	65	
22*	543.0	527.02	133	30	10.5	62	547.0*	527.02	133	30	13.5	65	
23*	566.0	550.80	133	30	10.5	62	570.0*	550.80	133	30	13.5	65	
24*	590.0	574.57	133	30	10.5	62	594.0*	574.57	133	30	13.5	65	
25*	614.0	598.42	133	30	10.5	62	618.0*	598.42	133	30	13.5	65	
							SS41					SS41	
26*	638.0	622.20	133	30	10.5	62							
27*	662.0	646.05	133	30	10.5	62							
28*	685.0	669.82	133	30	10.5	62							
29*	709.0	693.68	133	30	10.5	62							
30*	733.0	717.52	133	30	10.5	62							

# Sprockets

PLATE WHEELS FOR CHAIN CONVEYORS  
AND CHAIN ELEVATORS



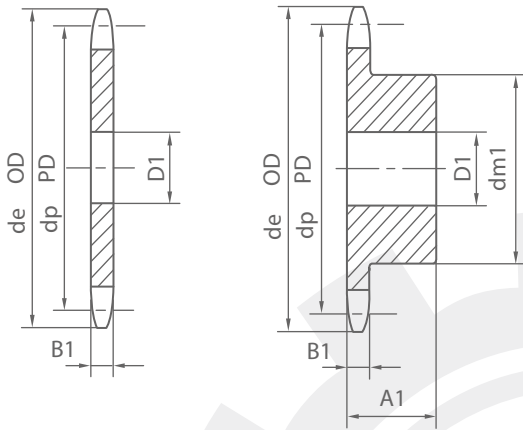
## P100

z	P.100-R.31						P.100-R.40					
	de	dp	dm	D	B	A	de	dp	dm	D	B	A
6	218.0	200.00	88	25	13.5	48.5	220.0	200.00	118	25	20	70
7	249.0	230.48	88	25	13.5	48.5	251.0	230.48	118	25	20	70
8	280.0	261.31	118	30	13.5	63.5	283.0	261.31	118	30	20	70
9	311.0	292.40	118	30	13.5	63.5	314.0	292.40	118	30	20	70
10	342.0	323.61	118	30	13.5	63.5	345.0	323.61	118	30	20	70
11	375.0	354.95	118	30	13.5	63.5	378.0	354.95	118	30	20	70
12	406.0	386.40	118	30	13.5	63.5	409.0	386.40	118	30	20	70
13	437.0	417.90	118	30	13.5	63.5	441.0	417.90	118	30	20	70
14	469.0	449.90	118	30	13.5	63.5	473.0*	449.90	133	30	20	71.5
15	500.0	480.97	118	30	13.5	63.5	504.0*	480.97	133	30	20	71.5
16	532.0	512.60	133	30	13.5	65	536.0*	512.60	133	30	20	71.5
17*	564.0	544.22	133	30	13.5	65	568.0*	544.22	133	30	20	71.5
18*	595.0	575.90	133	30	13.5	65	599.0*	575.90	133	30	20	71.5
19*	627.0	607.55	133	30	13.5	65	631.0*	607.55	133	30	20	71.5
20*	659.0	639.20	133	30	13.5	65	663.0*	639.20	133	30	20	71.5
21*	690.0	670.95	133	30	13.5	65						
22*	722.0	702.70	133	30	13.5	65						
23*	754.0	734.40	133	30	13.5	65						
24*	786.0	766.10	133	30	13.5	65						
25*	817.0	797.90	133	30	13.5	65						

C45 used for the solid products by forging  
SS41 used for the welding products.

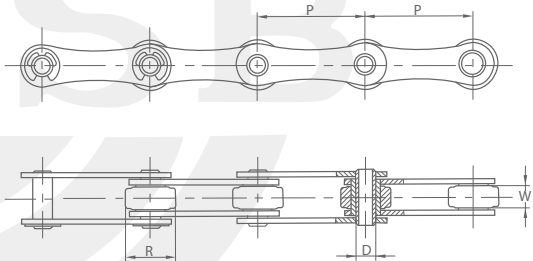
# Sprockets

## FK 1650 Hollow pin chain

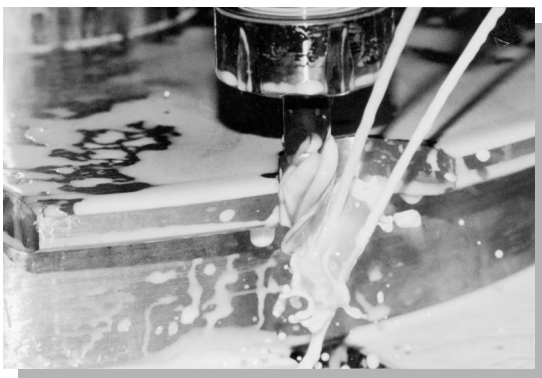


z	de	dp	dm	D	B	A	Kg
7	131	117.08	80	30	9	40	1.6
8	147	132.75	80	30	9	40	1.9
9	162	148.52	80	30	9	40	2.1
10	178	164.39	80	30	9	40	2.3
11	194	180.31	80	30	9	40	2.5
12	210	196.29	110	30	9	50	4.6
13	227	212.27	110	30	9	50	5.3
14	242	228.29	110	30	9	50	5.7
15	258	244.33	120	40	9	50	6.1
16	274	260.40	120	40	9	50	6.5
17	290	276.46	120	40	9	50	6.9
18	300	292.55	120	40	9	50	7.7
28	148	453.72	130	40	9	70	298

### P50.8



P Pitch=50.8mm  
W Width=10.5mm  
R Roller=f30mm



#### Special Note

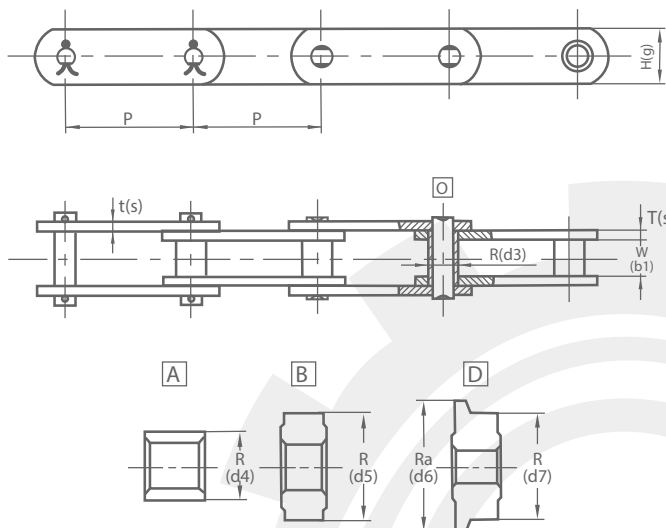
Conveyor chain wheels with large pitch produced by CHSSB are with fine finish surface. Teeth are milled and peeled by CNC center. So they are with fine precision and smooth finish. Teeth can be tempered and hardness can reach HRC50, This kind of chain wheels can be machined as finished bore or taper bore according to requests of clients. surface can be treated as oxidizing, phosphating, painting or Zinc-plating.

# Sprockets - Chain

# M20

Conveyor chains (metric series)

ISO 1997/I-1976



## M 20

(mm)

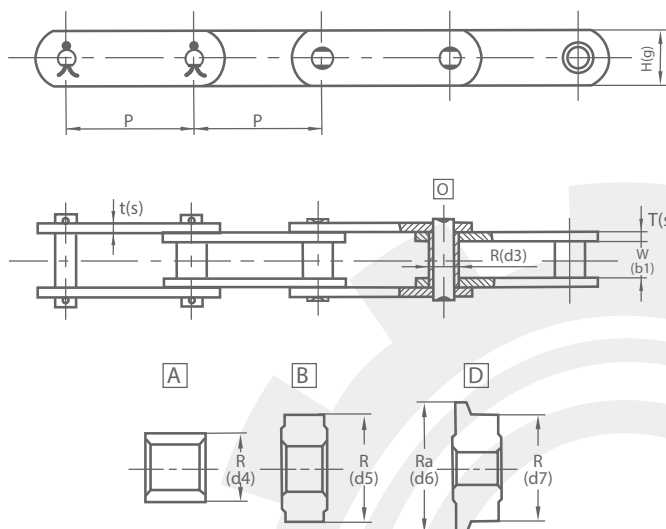
P	W	Z	dp	de mm				dm	A	B	d	Kg
				Q min Rf9	A min Rf12.5	B min Rf25	D min Rf25/f30					
40	16	6	80.00	88	88	91	91	45	40	14.4	25	1.4
		8	104.52	112	112	115	115	75	40	14.4	25	1.7
		10	129.44	136	136	139	139	75	40	14.4	25	2.2
		12	154.55	162	162	165	165	80	45	14.4	25	3.1
50	16	6	100.00	108	108	111	111	65	45	14.4	25	1.8
		8	130.66	138	138	141	141	75	45	14.4	25	2.4
		10	161.81	169	169	172	172	75	45	14.4	25	3.2
		12	193.19	200	200	203	203	80	50	14.4	25	4.4
63	16	6	126.00	133	133	141	141	85	50	14.4	30	2.6
		8	164.62	172	172	175	175	85	50	14.4	30	3.2
		10	203.24	211	211	214	214	85	50	14.4	30	4.9
		12	243.43	251	251	254	254	90	60	14.4	30	7
80	16	6	160.00	166	166	169	169	85	50	14.4	30	3.4
		8	209.05	216	216	219	219	85	50	14.4	30	5.1
		10	258.89	266	266	269	269	85	50	14.4	30	7.1
		12	309.10	316	316	319	319	90	60	14.4	30	10.4
100	16	6	200.00	206	206	209	209	100	60	14.4	30	6.1
		8	261.31	268	268	271	271	100	60	14.4	30	8.3
		10	323.61	331	331	334	334	100	60	14.4	40	11.3
		12	386.37	394	394	397	397	110	65	14.4	40	16

# Sprockets - Chain

# M28

Conveyor chains (metric series)

ISO 1997/I-1976



## M 28

(mm)

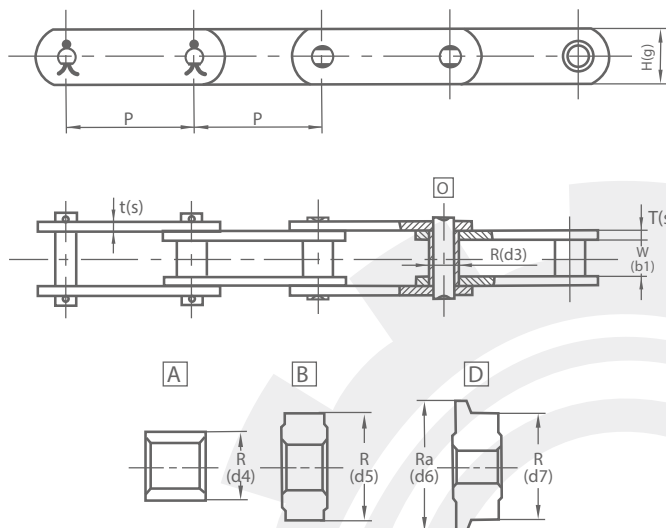
P	W	Z	dp	de mm				dm	A	B	d	Kg
				Q min Rf10	A min Rf15	B min Rf30	D min Rf30/f35					
50	18	6	100.00	109	110	113	113	75	50	16.2	25	1.9
		8	130.66	139	140	143	143	75	50	6.2	25	2.7
		10	161.81	170	171	174	174	75	50	16.2	25	3.5
		12	193.19	201	202	205	205	80	60	16.2	25	5.1
63	18	6	126.00	134	135	138	138	85	50	16.2	30	2.7
		8	164.62	173	174	177	177	85	50	16.2	30	3.9
		10	203.87	212	213	216	216	85	50	16.2	30	5.3
		12	243.43	252	253	256	256	90	60	16.2	30	7.6
80	18	6	160.00	167	168	171	171	85	50	16.2	30	4.1
		8	209.05	217	218	221	221	85	50	16.2	30	5.5
		10	258.89	267	268	271	271	85	50	16.2	30	7.7
		12	309.10	317	318	321	321	90	60	16.2	30	11.1
100	18	6	200.00	207	208	211	211	95	60	16.2	30	6.3
		8	261.31	269	270	273	273	95	60	16.2	30	8.7
		10	323.61	332	333	336	336	95	60	16.2	40	12.1
		12	386.37	395	396	399	399	100	70	16.2	40	17.1
125	18	6	250.00	258	259	262	269.2	110	65	16.2	40	10.9
		8	326.64	335	336	339	339	110	65	16.2	40	13.4
		10	404.51	413	414	417	417	110	65	16.2	40	18.9
		12	482.96	491	492	495	495	120	75	16.2	40	27

# Sprockets - Chain

# M40

Conveyor chains (metric series)

ISO 1997/I-1976



## M 40

(mm)

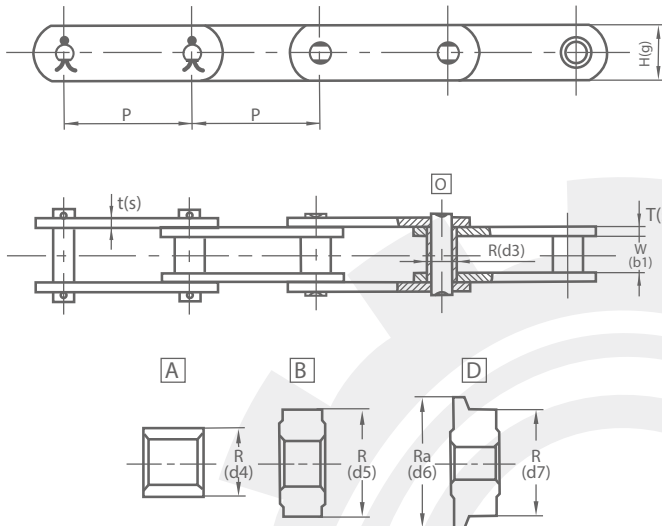
P	W	Z	dp	de mm				dm	A	B	d	Kg
				Q min Rf12.5	A min Rf18	B min Rf36	D min Rf36/42					
63	20	6	126.00	136	136	140	140	85	50	18	30	3.0
		8	164.62	175	175	179	179	85	50	18	30	4.1
		10	203.87	214	214	218	218	85	50	18	30	5.2
		12	243.43	254	254	258	258	90	60	18	30	8.2
80	20	6	160.00	169	169	173	173	85	50	18	30	4.5
		8	209.05	219	219	223	223	85	50	18	30	5.9
		10	258.89	269	269	273	273	85	60	18	30	8.8
		12	309.10	319	319	323	323	90	60	18	30	12.1
100	20	6	200.00	209	209	223	223	100	60	18	30	7.3
		8	261.31	271	271	275	275	100	60	18	30	9.6
		10	323.61	334	334	338	338	100	65	18	40	13.6
		12	386.37	397	397	401	401	110	70	18	40	19.3
125	20	6	250.00	260	260	264	264	115	65	18	40	10.8
		8	326.64	337	337	341	341	115	65	18	40	14.7
		10	404.51	415	415	419	419	115	75	18	40	21.5
		12	480.96	493	493	497	497	125	75	18	40	29.8
160	20	6	320.00	328	328	332	332	125	75	18	40	18.2
		8	418.00	428	428	432	432	125	75	18	40	23.5
		10	517.78	528	528	532	532	125	80	18	40	34
		12	618.19	628	628	632	632	135	85	18	40	47.7

# Sprockets - Chain

# M56

Conveyor chains (metric series)

ISO 1997/I-1976



## M 56

(mm)

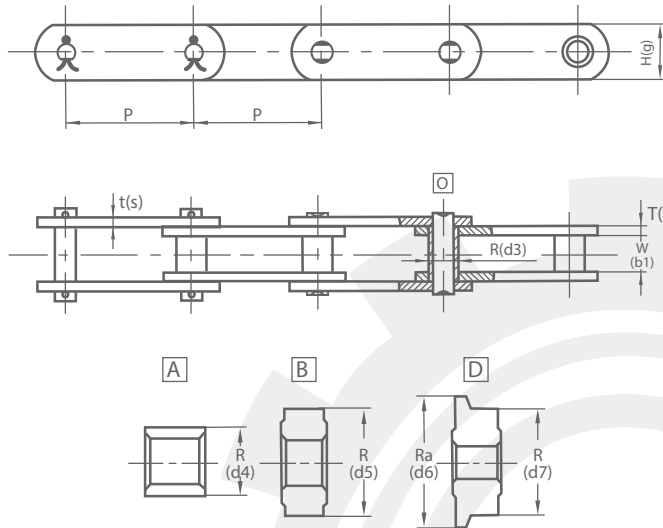
P	W	Z	dp	de mm				dm	A	B	d	Kg
				Q min Rf15	A min Rf21	B min Rf42	D min Rf42/50					
63	24	6	126.00	138	138	142	142	70	50	21.6	30	3.5
		8	164.62	177	177	181	181	85	50	21.6	30	4.6
		10	203.87	216	216	220	220	100	50	21.6	30	5.9
		12	243.43	256	256	260	260	110	65	21.6	30	10.3
80	24	6	160.00	171	171	175	175	85	50	21.6	30	5.2
		8	209.05	221	221	225	225	85	50	21.6	30	6.7
		10	258.89	271	271	275	275	100	50	21.6	30	10.2
		12	309.10	321	321	325	325	110	65	21.69	40	15.0
100	24	6	200.00	211	211	215	215	90	60	21.6	40	7.7
		8	261.31	273	273	277	277	90	60	21.6	40	10.3
		10	323.61	336	336	340	340	105	65	21.6	40	15.9
		12	386.37	399	399	403	403	115	70	21.6	40	22.0
125	24	6	250.00	262	262	266	266	115	65	21.6	40	11.6
		8	326.64	339	339	343	343	115	65	21.6	40	16.8
		10	404.51	417	417	421	421	125	80	21.6	40	26.0
		12	480.96	495	495	499	499	125	80	21.6	40	34.9
160	24	6	320.00	330	330	334	334	125	80	21.6	40	19.5
		8	418.10	430	430	434	434	125	80	21.6	40	27.4
		10	517.78	530	530	534	534	135	85	21.6	40	40.8
		12	618.19	630	630	634	634	145	90	21.6	40	57.20

# Sprockets - Chain

# M80

Conveyor chains (metric series)

ISO 1997/I-1976



## M 80

(mm)

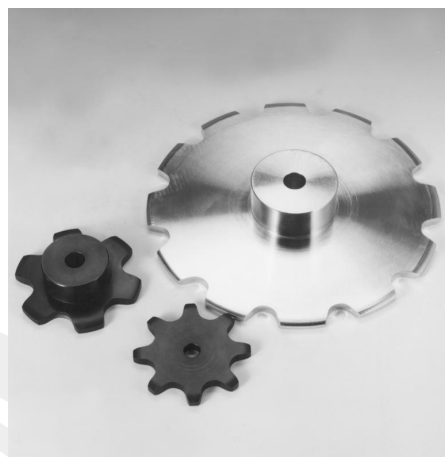
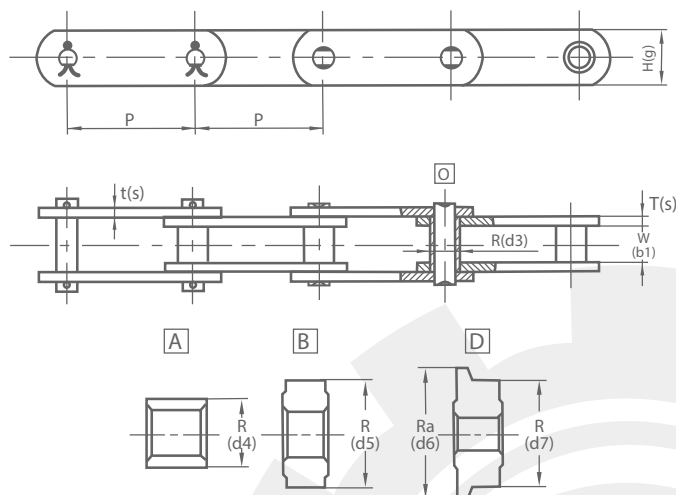
P	W	Z	dp	de mm				dm	A	B	d	Kg
				Q min Rf18	A min Rf25	B min Rf50	D min Rf50/80					
80	28	6	160.00	173	174	179	179	50	25.2	30	5.8	
		8	209.05	223	234	229	229	85	50	25.2	30	7.5
		10	258.89	273	274	279	279	100	60	25.2	30	12.0
		12	309.10	323	324	329	329	115	65	25.2	40	17.1
100	28	6	200.00	213	214	219	219	100	60	25.2	40	8.6
		8	261.31	275	276	281	281	100	60	25.2	40	12.3
		10	323.61	338	339	344	344	110	65	25.2	40	18.2
		12	386.37	401	402	407	407	120	70	25.2	40	25.9
125	28	6	250.00	264	265	270	270	115	65	25.2	40	11.6
		8	326.64	341	342	347	347	115	65	25.2	40	18.8
		10	404.51	419	420	425	425	135	80	25.2	40	30.0
		12	480.96	497	498	503	503	135	80	25.2	40	40.5
160	28	6	320.00	332	333	338	338	130	80	25.2	40	26.5
		8	418.10	432	433	438	438	130	80	25.2	40	31.3
		10	517.78	532	533	538	538	140	85	25.2	40	46.7
		12	618.19	632	633	638	638	150	90	25.2	40	65.5
200	28	6	400.00	413	414	419	419	140	85	25.2	40	31.2
		8	522.62	537	538	543	543	140	85	25.2	40	47.5
		10	647.22	661	662	667	667	150	90	25.2	40	71.1
		12	772.74	787	788	793	793	160	100	25.2	50	100.1



# Sprockets - Chain M112

Conveyor chains (metric series)

ISO 1997/I-1976



**M 112**

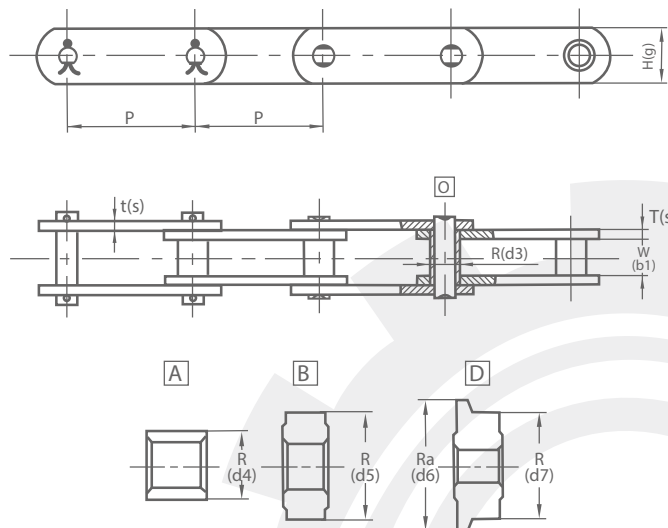
(mm)

P	W	Z	dp	de mm				dm	A	B	d	Kg
				Q min Rf21	A min Rf30	B min Rf60	D min Rf60/70					
80	32	6	160.00	175	177	183	183	52	50	28.8	40	9.3
		8	209.05	225	227	233	233	85	50	28.8	40	13.1
		10	258.89	275	277	283	283	100	60	28.8	40	18.9
		12	309.10	325	327	333	333	115	65	28.8	40	23.3
100	32	6	200.00	215	217	223	223	100	60	28.8	40	16.5
		8	261.31	277	279	285	285	100	60	28.8	40	21.2
		10	323.61	340	342	348	348	115	75	28.8	40	39.5
		12	386.37	403	405	411	411	125	75	28.8	40	41.2
125	32	6	250.00	266	268	274	274	115	70	28.8	40	26.5
		8	326.64	343	345	351	351	115	70	28.8	40	32.3
		10	404.51	421	423	429	429	130	75	28.8	40	44.7
		12	480.96	499	501	507	507	130	80	28.8	40	54.6
160	32	6	320.00	334	336	342	342	135	75	28.8	40	38.5
		8	418.10	434	436	442	442	135	75	28.8	40	52.0
		10	517.78	534	536	542	542	145	80	28.8	40	73.2
		12	618.19	634	636	642	642	155	85	28.8	40	92.9
200	32	6	400.00	415	417	423	423	145	80	28.8	40	52.60
		8	522.62	539	541	547	547	145	80	28.8	40	78.8
		10	647.22	663	665	671	671	155	80	28.8	40	113.4
		12	772.74	789	791	797	797	170	95	28.8	40	132.2
250	32	6	500.00	513	515	521	521	155	95	28.8	40	85.6
		8	653.28	669	671	677	677	155	95	28.8	40	122.6
		10	809.03	825	827	833	833	160	100	288	40	175.2
		12	965.93	982	984	990	990	180	110	28.8	40	215.3

# Sprockets - Chain M160

Conveyor chains (metric series)

ISO 1997/I-1976



## M 160

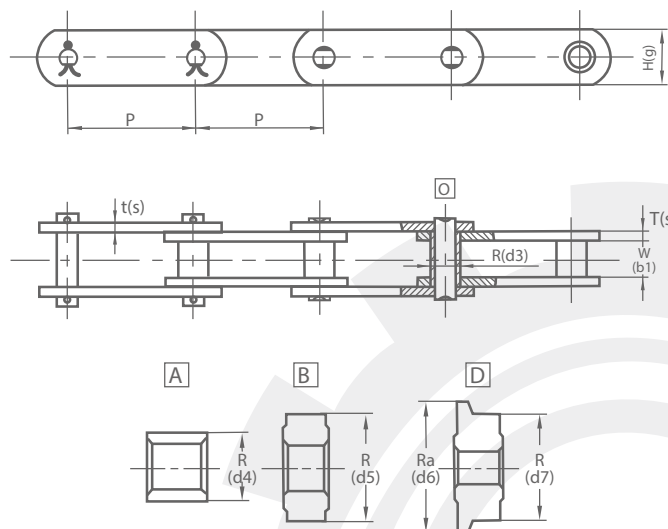
(mm)

P	W	Z	dp	de mm				dm	A	B	d	Kg
				Q min Rf25	A min Rf36	B min Rf70	D min Rf70/86					
100	37	6	200.00	219	220	227	227	100	60	34	40	11.5
		8	261.31	281	282	289	289	100	60	34	40	15.2
		10	323.61	344	345	352	352	110	65	34	40	23.2
		12	386.37	407	408	415	415	120	70	34	40	33.0
125	37	6	250.00	270	271	278	278	110	65	34	40	16.8
		8	326.64	347	348	355	355	110	65	34	40	23.6
		10	404.51	425	426	433	433	120	70	34	40	35.9
		12	480.96	503	504	511	511	160	80	34	40	57.5
160	37	6	320.00	338	339	446	446	135	80	34	40	31.2
		8	418.10	438	439	446	446	135	80	34	40	40.0
		10	517.78	538	539	546	546	145	85	34	40	60.3
		12	618.19	638	639	646	646	155	90	34	40	85.0
200	37	6	400.00	419	420	427	427	150	85	34	40	46.8
		8	522.62	543	544	551	551	150	85	34	40	65.0
		10	647.22	667	668	675	675	155	90	34	40	92.5
		12	772.74	793	794	801	801	170	100	34	50	131.9
250	37	6	500.00	517	518	525	525	155	90	34	40	70.6
		8	653.28	673	674	681	681	155	90	34	40	94.1
		10	809.03	829	830	837	837	180	105	34	50	145.8
		12	965.93	986	987	994	994	200	120	34	50	200.0

# Sprockets - Chain M224

Conveyor chains (metric series)

ISO 1997/I-1976



## M 224

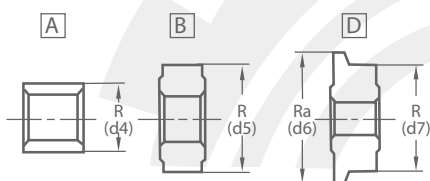
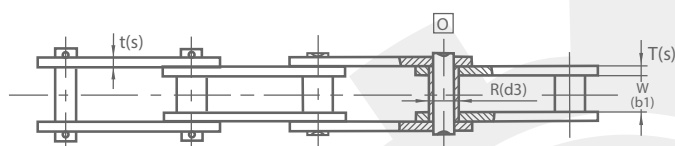
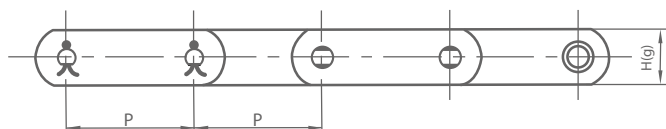
(mm)

P	W	Z	dp	de mm				dm	A	B	d	Kg
				Q min Rf30	A min Rf42	B min Rf85	D min Rf85/100					
125	43	6	250.00	274	275	284	284	110	65	39	40	21.0
		8	326.64	351	352	361	361	110	65	39	40	26.4
		10	404.51	429	430	439	439	120	70	39	40	40.4
		12	480.96	507	508	517	517	130	80	39	40	57.0
160	43	6	320.00	342	343	352	352	135	80	39	40	31.2
		8	418.10	442	443	452	452	135	80	39	40	44.7
		10	517.78	542	543	552	552	145	85	39	40	67.7
		12	618.19	642	643	652	652	155	90	39	40	95.7
200	42	6	400.00	426	424	433	433	145	85	39	40	55.3
		8	522.62	547	548	557	557	145	85	39	40	68.9
		10	647.22	671	672	681	681	165	90	39	40	105.3
		12	772.74	797	798	807	807	170	100	39	50	148.5
250	43	6	500.00	521	522	531	531	155	90	39	40	76.5
		8	653.28	677	678	687	687	155	90	39	40	106.1
		10	809.03	833	834	843	843	180	105	39	50	164.1
		12	965.93	990	991	1000	1000	220	120	39	050	235.2
315	43	6	630.00	651	652	661	661	180	105	39	50	116.5
		8	823.13	847	848	859	859	180	105	39	50	169.4
		10	1019.37	1044	1045	1054	1054	180	115	39	50	255.3
		12	1217.07	1241	1242	1251	1251	210	125	39	50	366.0

# Sprockets - Chain M315

Conveyor chains (metric series)

ISO 1997/I-1976



**M 315**

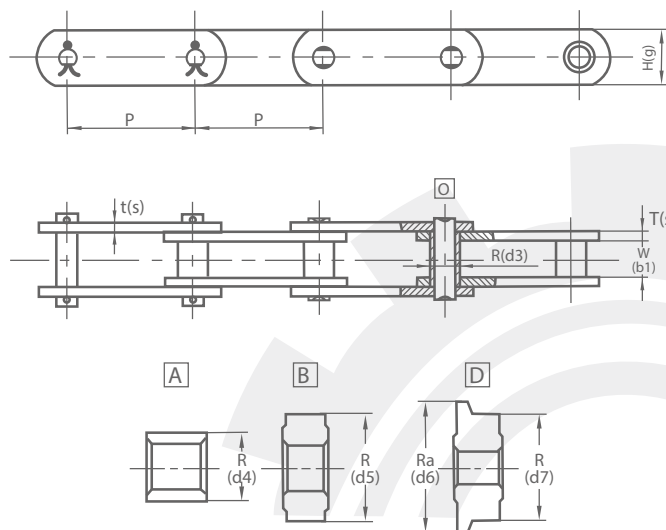
(mm)

P	W	Z	dp	de mm				dm	A	B	d	Kg
				Q min Rf30	A min Rf50	B min Rf100	D min Rf100/120					
160	48	6	320.00	346	348	358	358	185	115	43	50	36.8
		8	418.10	446	448	458	458	185	115	43	50	58.9
		10	517.78	546	548	558	558	485	115	43	60	81.9
		12	618.19	646	648	658	658	200	115	43	60	113.7
200	48	6	400.00	427	428	438	438	185	115	43	60	69.6
		8	522.62	551	553	563	563	185	115	43	60	83.7
		10	647.22	675	677	687	687	185	115	43	60	120.6
		12	772.24	801	803	813	813	200	115	43	60	168.8
250	48	6	500.00	525	527	537	537	210	115	43	60	95.8
		8	653.28	681	683	693	693	210	115	43	60	126.8
		10	809.03	837	839	849	849	210	115	43	60	185.3
		12	965.93	994	996	1006	1006	220	115	43	60	261.3
315	48	6	630.00	655	657	667	667	220	125	43	60	135.1
		8	823.13	851	853	863	863	220	125	43	60	195.7
		10	1019.37	1048	1050	1060	1060	220	125	43	60	288.5
		12	1217.07	1245	1247	1257	1257	240	125	43	60	409.6

# Sprockets - Chain M450

Conveyor chains (metric series)

ISO 1997/I-1976



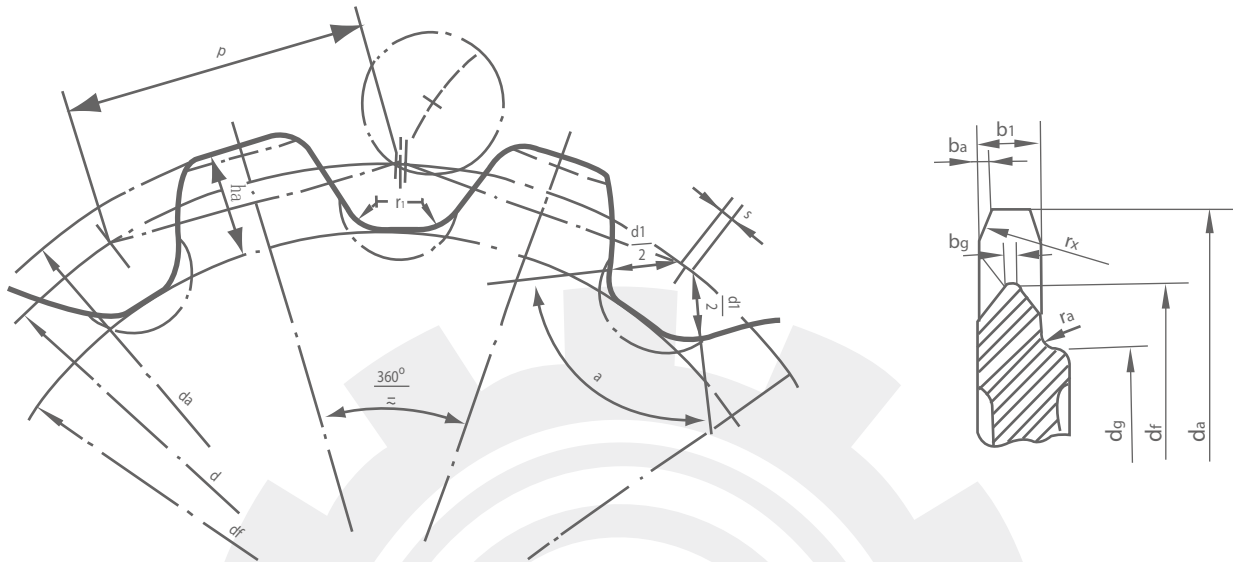
**M 450**

(mm)

P	W	Z	dp	de mm				dm	A	B	d	Kg
				Q min Rf42	A min Rf60	B min Rf120	D min Rf120/140					
200	56	6	400.00	432	435	447	447	200	125	50	60	68.5
		8	522.62	556	559	571	571	200	125	50	60	97.8
		10	647.22	680	683	695	695	200	125	50	60	44.2
		12	772.74	806	809	821	821	230	140	50	60	204.6
250	56	6	500.00	530	533	545	545	220	125	50	60	110.5
		8	653.28	686	689	701	701	220	125	50	60	147.3
		10	809.03	842	845	857	857	220	125	50	60	215.3
		12	965.93	999	1002	1014	1014	250	140	50	60	310.0
315	56	6	630.00	660	663	675	675	250	125	50	60	185.6
		8	823.13	856	859	871	871	250	125	50	60	228.5
		10	1019.37	1053	1056	1068	1068	250	125	50	60	336.3
		12	1217.07	1250	1253	1265	1265	280	140	50	60	482.0
400	56	6	800.00	829	832	844	844	280	140	50	60	298.5
		8	1045.24	1078	1081	1093	1093	280	140	50	60	366.1
		10	1294.44	1328	1331	1343	1343	280	140	50	60	540.0
		12	1545.48	1579	1580	1594	1594	320	160	50	60	777.3

# Sprockets - Chain

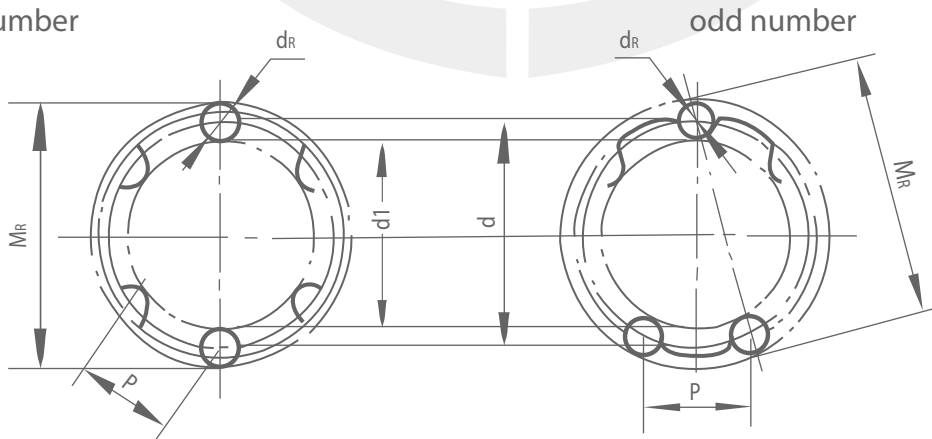
ISO 1977/II-2000



$b_a$ — tooth chamfer width	$h_a$ — tooth height above root diameter
$b_1$ — tooth width	$M_R$ — over pin measurement
$b_g$ — minium width of root chamfer	$p$ — chord pitch, equal to chain pitch
$d$ — pitch reference cylinder	$r_a$ — radius of chamfer between hub and plate
$d_a$ — tip diameter	$r_i$ — roller seating radius
$d_r$ — root diameter	$r_x$ — radius of smallest tooth chamfer
$d_g$ — maximum hub diameter	$s$ — gap between tooth space centers
$d_R$ — measuring pin diameter	$z$ — teeth number
$d_1$ — maximum diameter of common rollers	$a$ — roller seating angle
$d_2$ — pin shaft diameter	

## Checking method for tooth space accuracy

even number



even number of teeth

$$M_R = d + d_R$$

odd number of teeth

$$M_R = d \cos \frac{90^\circ}{z} + d_R$$

# Sprockets - Chain

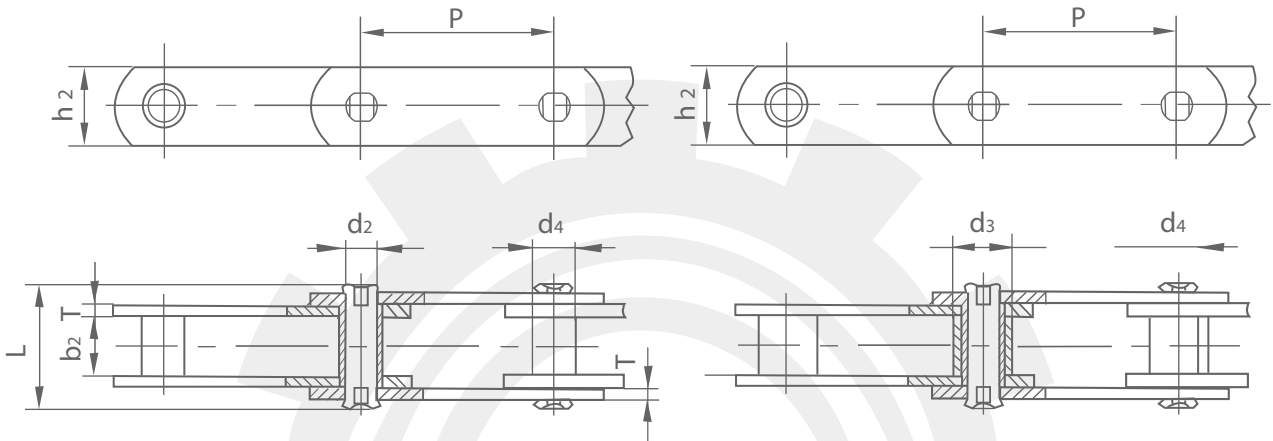
ISO 1997/ I-2000

Conveyor chains (metric series)

DONGHUA-CHAINS

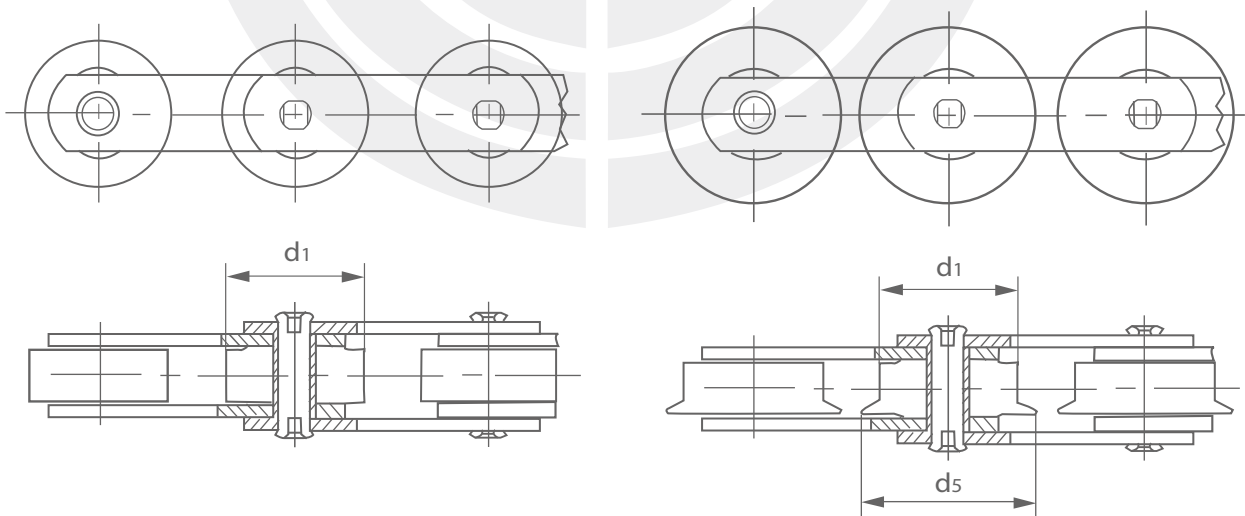
without roller

with A type small roller



with B and C type large roller

with F and G type flanged roller



# Sprockets - Chain

ISO 1977/1-2000

Conveyor chains(metric series)

## DONGHUA-CHAINS

ISO Chain No.	Pitch								Roller diameter			Bush diameter
	P								d1 max	d3 max	d5 max	d4 max
	mm								mm	mm	mm	mm
M20	*40.0	50.0	63.0	80.0	100.0	125.0	160.0		25.0	12.50	35.00	9.0
M28	*50.0	63.0	80.0	100.0	125.0	160.0	200.0		30.0	15.00	40.00	10.0
M40	63.0	80.0	100.0	125.0	160.0	200.0	250.0		36.0	18.00	45.00	12.5
M56	*63.0	80.0	100.0	125.0	160.0	200.0	250.0		42.0	21.00	55.00	15.0
M80	80.0	100.0	125.0	160.0	200.0	250.0	315.0		50.0	25.00	65.00	18.0
M112	*80.0	100.0	125.0	160.0	200.0	250.0	315.0	400.0	60.0	30.00	75.00	21.0
M160	*100.0	125.0	160.0	200.0	250.0	315.0	400.0	500.0	70.0	36.0	90.00	25.0
M224	*125.0	160.0	200.0	250.0	315.0	400.0	500.0	630.0	85.0	42.00	105.00	30.0
M315	*160.0	200.0	250.0	315.0	400.0	500.0	630.0		100.0	50.00	125.00	36.0
M450	200.0	250.0	315.0	400.0	500.0	360.0	800.0		120.0	60.00	150.00	42.0

\*Chain only have bush and small roller

## DONGHUA-CHAINS

ISO Chain No.	Width between inner plates	Pin diameter	Pin length	Plate depth	Plate thickness	Ultimate tensile strength	Average tensile strength
	b1 min	d2 max	L max	h2 max	T max	Q min	Q0
	mm	mm	mm	mm	mm	kN	kN
M20	15.0	6.0	35.0	19.0	2.5	20.0	25.0
M28	17.0	7.0	40.0	21.0	3.0	28.0	35.0
M40	19.0	8.5	45.0	26.0	3.5	40.0	50.0
M56	23.0	10.0	52.0	31.0	4.0	56.0	70.0
M80	27.0	12.0	62.0	41.0	5.0	80.0	100.0
M112	31.0	15.0	73.0	51.0	6.0	112.0	140.0
M160	36.0	18.0	85.0	62.0	7.0	160.0	200.0
M224	42.0	21.0	98.0	72.0	8.0	224.0	280.0
M315	47.0	25.0	112.0	82.0	10.0	315.0	393.7
M450	55.0	30.0	135.0	103.0	12.0	450.0	562.5