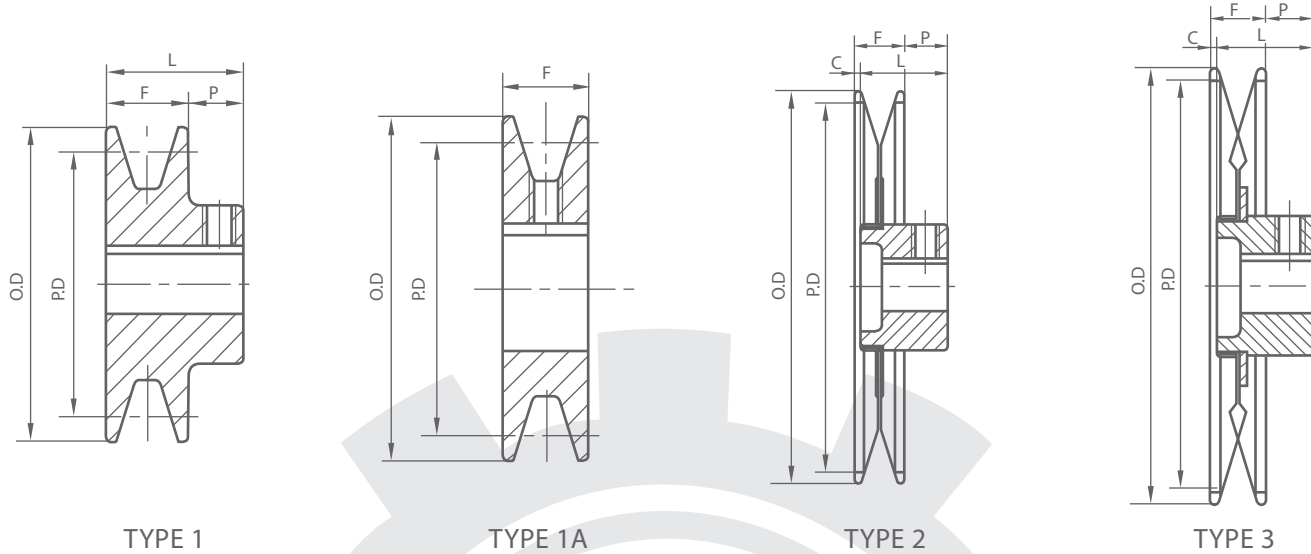


Steel Sheaves



Single Groove Sheaves for "4L" or "A"

Catalog Number	Diameter		Type	Dimensions											Lbs
	OD	PD A		F	L	P	C	1/2	5/8	3/4	7/8	1"			
SA15	1.50	1.25	1	5/8	11/16	7/16	—	●						0.2	
SA17	1.75	1.50	1	5/8	11/16	7/16	—	●	●	▲				0.3	
SA20	2.00	1.80	1A	5/8	—	—	—	●	●	■	■			0.3	
SA21	2.10	1.90	1A	5/8	—	—	—	●	●	■	■			0.3	
SA22	2.20	2.00	1A	5/8	—	—	—	●	●	■	■			0.4	
SA23	2.30	2.10	1A	5/8	—	—	—	●	●	●				0.4	
SA25	2.50	2.30	1A	5/8	—	—	—	●	●	●	●			0.5	
SA26	2.60	2.40	1A	5/8	—	—	—	●	●	●	●			0.5	
SA27	2.70	2.50	1A	5/8	—	—	—	●	●	●	●			0.6	
SA28	2.80	2.60	1A	5/8	—	—	—	●	●	●	●			0.6	
SA30	3.05	2.80	1A	5/8	—	—	—	●	●	●	●	●		0.8	
SA32	3.25	3.00	1A	5/8	—	—	—	●	●	●	●	●	●	0.9	
SA34	3.45	3.20	1A	5/8	—	—	—	●	●	●	●	●	●	1.0	
SA39	4.04	3.50	2	15/16	13/16	9/16	5/16	●	●	●	●	●	●	0.9	
SA44	4.54	4.00	2	15/16	13/16	9/16	5/16	●	●	●	●	●	●	1.0	
SA49	5.04	4.50	2	15/16	13/16	9/16	5/16	●	●	●	●	●	●	1.1	
SA54	5.43	5.00	2	15/16	13/16	9/16	5/16	●	●	●	●	●	●	1.3	
SA64	6.54	6.00	2	15/16	13/16	9/16	5/16	●	●	●	●	●	●	1.6	
SA74	7.54	7.00	2	15/16	13/16	9/16	5/16	●	●	●	●	●	●	1.8	
*SA84	8.54	8.00	2	15/16	13/16	17/32	9/32	●	●	●	●	●	●	2.6	
*SA94	9.50	9.00	3	15/16	13/16	17/32	9/32	●	●	●	●	●	●	2.9	
*SA104	10.50	10.00	3	15/16	13/16	17/32	9/32	●	●	●	●	●	●	3.4	
*SA114	11.50	11.00	3	15/16	13/16	17/32	9/32	●	●	●	●	●	●	3.8	
*SA124	12.50	12.00	3	15/16	13/16	17/32	9/32	●	●	●	●	●	●	4.5	

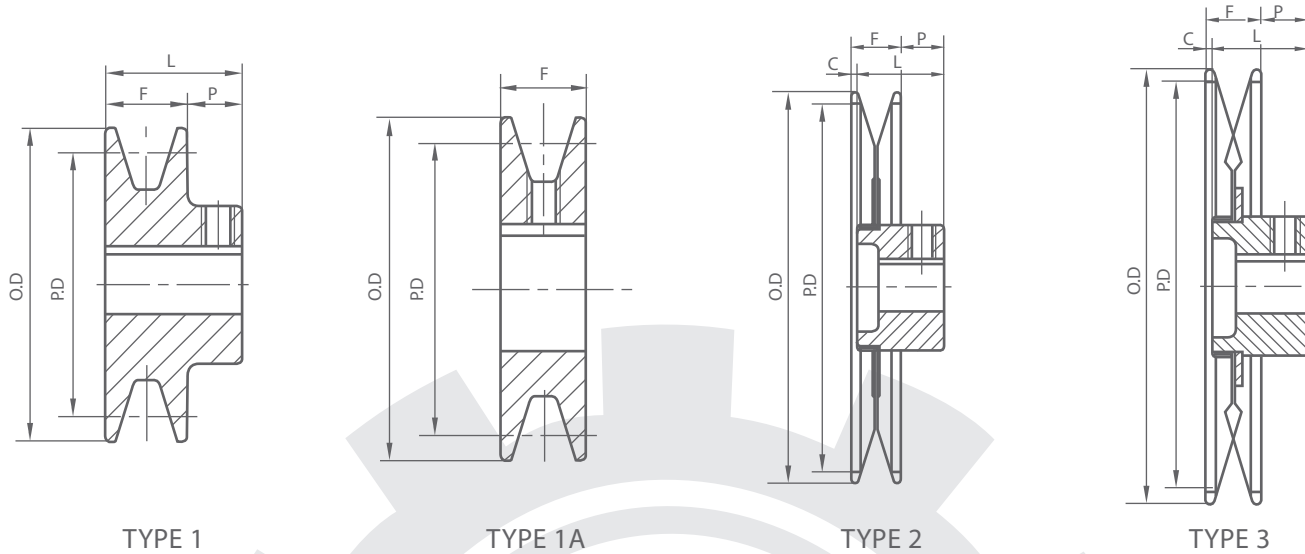
▲NO Keyseat.    S■ Screw at 90° to Keyseat.    \*For 1 1/8" Bores and Larger: L = 1 11/32", P = 7/8".  
 All stock sizes are furnished with hollow head setscrew and individually packaged.

Table No. 3

Standard Keyseats

Bore Range	Keyseat
3/8 to 1/2	None
3/8 to 7/8	3/16X3/32
15/18 to 1 1/4	1/4X1/8
1 7/8	3/8X3/16

Steel Sheaves



Single Groove Sheaves for "5L" or "B" Belts

Catalog Number	Diameter			Type	Dimensions				Stock Bores							wt Lbs	
	OD	PD A	PD B		F	L	P	C	1/2"	5/8"	3/4"	7/8"	1"	1 1/8"	1 3/8"		1 1/4"
SB24A	2.40	1.80	2.20	1A	3/4	—	—	—	●								0.4
SB24	2.40	1.80	2.20	1	3/4	13/16	7/16	—	●	●							0.5
SB25A	2.50	1.90	2.30	1A	3/4	—	—	—	●								0.5
SB25	2.50	1.90	2.30	1	3/4	13/16	7/16	—	●	●	●						0.7
SB26A	2.60	2.00	2.40	1A	3/4	—	—	—	●								0.5
SB26	2.60	2.00	2.40	1	3/4	13/16	7/16	—	●	●	●						0.7
SB27A	2.70	2.10	2.50	1A	3/4	—	—	—	●	●							0.6
SB27	2.70	2.10	2.50	1	3/4	13/16	7/16	—	●	●	●	●					0.8
SB28A	2.96	2.20	2.60	1A	3/4	—	—	—	●	●	●	●					0.8
SB28	2.96	2.20	2.60	1	3/4	13/16	7/16	—	●	●	●	●	●				0.8
SB30A	3.16	2.40	2.80	1A	3/4	—	—	—	●	●	●	●	●				1.0
SB32A	3.36	2.60	3.00	1A	3/4	—	—	—	●	●	●	●	●				1.1
SB34	3.57	2.80	3.20	2	1 1/16	13/16	7/16	5/16	●	●	●	●	●				0.8
SB36	3.77	3.00	3.40	2	1 1/16	13/16	7/16	5/16	●	●	●	●	●				0.8
SB40	3.97	3.20	3.60	2	1 1/16	13/16	7/16	5/16	●	●	●	●	●				0.9
SB45	4.27	3.50	3.90	2	1 1/16	13/16	7/16	5/16	●	●	●	●	●				1.1
SB50	4.77	4.00	4.40	2	1 1/16	13/16	7/16	5/16	●	●	●	●	●				1.1
SB55	5.27	4.50	4.90	2	1 1/16	13/16	7/16	5/16	●	●	●	●	●				1.3
SB60	5.77	5.00	5.40	2	1 1/16	13/16	7/16	5/16	●	●	●	●	●				1.4
SB70	6.94	6.00	6.40	2	1 1/8	13/16	7/16	3/8	●	●	●	●	●				1.5
SB80	7.94	7.00	7.40	2	1 1/8	13/16	7/16	3/8	●	●	●	●	●			●	2.1
SB90	8.94	8.00	8.40	2	1 1/8	13/16	7/16	3/8		●	●	●	●				2.5
SB100	9.93	9.00	9.40	3	1 1/8	13/16	7/16	3/8		●	●	●	●				3.3
SB110	10.93	10.00	10.40	3	1 1/8	13/16	7/16	3/8		●	●	●	●				3.6
SB120	11.93	11.00	11.40	3	1 1/8	13/16	7/16	3/8			●	●	●				4.0
SB130	12.93	12.00	12.40	3	1 1/8	13/16	7/16	3/8			●	●	●				4.0
SB160	15.93	15.00	15.40	3	1 1/8	13/16	7/16	3/8			●	●	●	●	●	●	7.8
SB190	18/93	18.00	18.40	3	1 1/8	13/16	7/16	3/8			●	●	●	●	●	●	10.0

▲For 1 1/8" Bores and Larger: L = 1 17/32", P = 7/8", C = 3/8".

■For 1 1/8" Bores and Larger: L = 1 17/32", P = 27/32", C = 7/16".

Table No. 3

Standard Keyseats

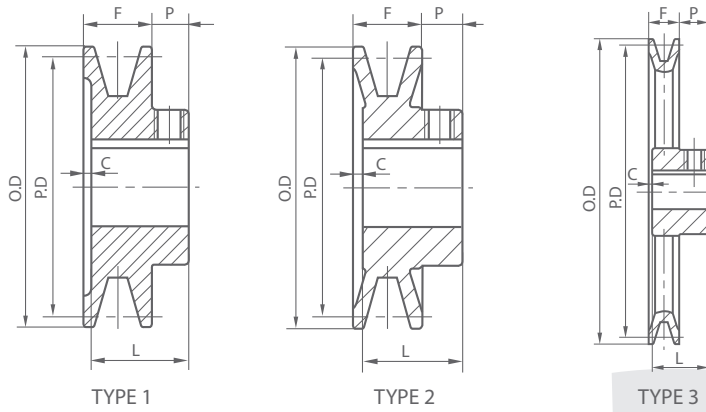
Bore Range	Keyseat
3/8 to 1/2	None
3/8 to 7/8	3/16X3/32
15/18 to 1 1/4	1/4X1/8
17/18	3/8X3/16

**F<sub>B</sub>**<sup>inished</sup><sub>ore</sub>

**V-pulleys**

**CAK**

**Cast Iron Sheaves**

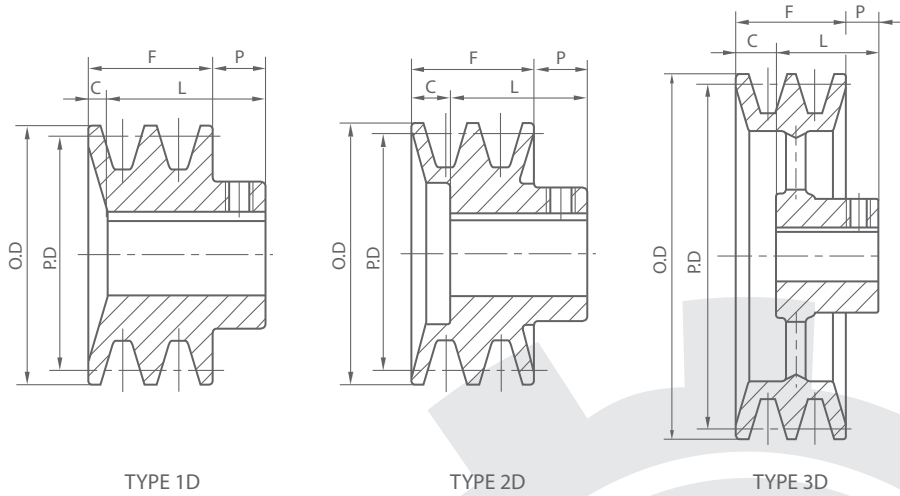


"3L" Belts may be used with These Sheaves as Indicated in Table Below

**Single Groove Sheaves for "4L" or "A" Belts**

Catalog Number	Diameter			Type	Dimensions				Stock Bores											wt Lbs	
	OD	PD A	PD 3L		F	L	P	C	1/2	5/8	3/4	7/8	15/16	1	1 1/8	1 3/16	1 1/4	1 3/8	1 7/16		
CAK17	1.75	1.50	1.16	1	21/32	15/16	7/16	5/32	●	●											0.2
CAK20	2.00	1.80	1.46	1	21/32	15/16	7/16	5/32	●	●	●										0.3
CAK21	2.10	1.90	1.56	1	21/32	15/16	7/16	5/32	●	●	●										0.4
CAK22	2.20	2.00	1.66	1	21/32	15/16	7/16	5/32	●	●	●										0.5
CAK23	2.30	2.10	1.76	1	21/32	15/16	7/16	5/32	●	●	●										0.5
CAK25	2.50	2.30	1.96	2	21/32	15/16	7/16	5/32	●	●	●										0.6
CAK26	2.60	2.40	2.06	2	21/32	15/16	7/16	5/32	●	●	●										0.6
CAK27	2.70	2.50	2.16	2	21/32	15/16	7/16	5/32	●	●	●										0.6
CAK28	2.80	2.60	2.26	2	21/32	15/16	7/16	5/32	●	●	●										0.7
CAK30	3.05	2.80	2.46	2	21/32	15/16	7/16	5/32	●	●	●	●									0.7
CAK32	3.25	3.00	2.66	2	21/32	15/16	7/16	5/32	●	●	●	●									0.8
CAK34	3.45	3.20	2.86	2	21/32	15/16	7/16	5/32	●	●	●	●									0.9
CAK39	3.75	3.50	3.16	2	3/4	1 5/32	15/32	1/16	●	●	●	●	●								1.4
CAK41	3.95	3.70	3.36	2	3/4	1 5/32	15/32	1/16	●	●	●	●	●	●							1.5
CAK44	4.25	4.00	3.66	3	3/4	1 5/32	15/32	1/16	●	●	●	●	●	●	●						1.5
CAK46	4.45	4.20	3.86	3	3/4	1 5/32	15/32	1/16	●	●	●	●	●	●	●						1.6
CAK49	4.75	4.50	4.16	3	3/4	1 5/32	15/32	1/16	●	●	●	●	●	●	●						1.7
CAK51	4.95	4.70	4.36	3	3/4	1 5/32	15/32	1/16	●	●	●	●	●	●	●						1.7
CAK54	5.25	5.00	4.66	3	3/4	1 5/32	15/32	1/16	●	●	●	●	●	●	●	●					1.8
CAK56	5.45	5.20	4.86	3	3/4	1 5/32	15/32	1/16	●	●	●	●	●	●	●	●	●				1.9
CAK59	5.75	5.50	5.16	3	3/4	1 5/32	15/32	1/16	●	●	●	●	●	●	●	●	●				2.0
CAK61	5.95	5.70	5.36	3	3/4	1 5/32	15/32	1/16	●	●	●	●	●	●	●	●	●				2.1
CAK64	6.25	5.00	5.66	3	3/4	1 5/32	15/32	1/16	●	●	●	●	●	●	●	●	●	●			2.2
CAK66	6.45	6.20	5.86	3	3/4	1 5/32	15/32	1/16	●	●	●	●	●	●	●	●	●	●			2.3
CAK69	6.75	6.50	6.16	3	3/4	1 15/32	23/32	—	●	●	●	●	●	●	●	●	●	●			3.5
CAK71	6.95	6.70	6.36	3	3/4	1 15/32	23/32	—	●	●	●	●	●	●	●	●	●	●	●		3.8
CAK74	7.25	7.00	6.66	3	3/4	1 15/32	23/32*	—	●	●	●	●	●	●	●	●	●	●	●		3.9
CAK79	7.79	7.50	7.16	3	3/4	1 15/32	23/32	—	●	●	●	●	●	●	●	●	●	●	●		4.0
CAK84	8.25	8.00	7.66	3	3/4	1 15/32	23/32*	—	●	●	●	●	●	●	●	●	●	●	●		4.2
CAK89	8.75	8.50	8.16	3	3/4	1 15/32	23/32	—	●	●	●	●	●	●	●	●	●	●	●		4.3
CAK94	9.25	9.00	8.66	3	3/4	1 15/32	23/32*	—	●	●	●	●	●	●	●	●	●	●	●		4.5
CAK99	9.75	9.50	9.16	3	3/4	1 15/32	23/32	—	●	●	●	●	●	●	●	●	●	●	●		5.3
CAK104	10.25	10.00	9.66	3	3/4	1 15/32	23/32*	—	●	●	●	●	●	●	●	●	●	●	●		5.7
CAK109	10.75	10.50	10.16	3	3/4	1 15/32	23/32	—	●	●	●	●	●	●	●	●	●	●	●		5.8
CAK114	11.25	11.00	10.66	3	3/4	1 15/32	23/32*	—	●	●	●	●	●	●	●	●	●	●	●		5.9
CAK124	12.25	12.00	11.66	3	3/4	1 15/32	23/32*	—	●	●	●	●	●	●	●	●	●	●	●		6.5
CAK134	13.25	13.00	12.66	3	3/4	1 15/32	23/32	—	●	●	●	●	●	●	●	●	●	●	●		7.5
CAK144	14.25	14.00	13.66	3	3/4	1 15/32	23/32	—	●	●	●	●	●	●	●	●	●	●	●		8.5
CAK154	15.25	15.00	14.66	3	3/4	1 15/32	23/32	—	●	●	●	●	●	●	●	●	●	●	●		9.8
CAK184	18.25	18.00	17.66	3	3/4	1 15/32	23/32	—	●	●	●	●	●	●	●	●	●	●	●		12.1

\*P=25/32 and C=1/16 for 1" Bore and smaller

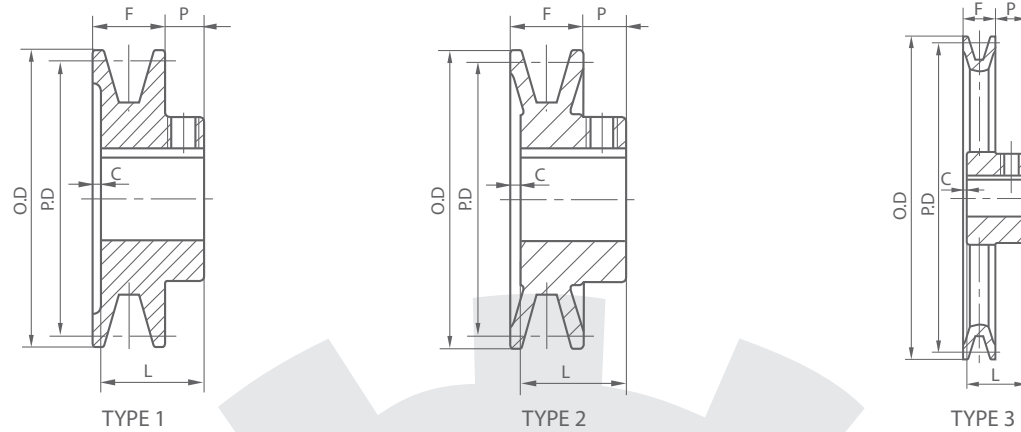


"3L" Belts may be used with These Sheaves as Indicated in Table Below

Single Groove Sheaves for "4L" or "A" Belts

Catalog Number	Diameter			Type	Dimensions				Stock Bores										wt		
	OD	PD A	PD 3L		F	L	P	C	1/2	5/8	3/4	7/8	15/16	1	1 1/8	1 3/16	1 1/4	1 3/8	1 7/16	Lbs	
2CAK20	2.00	1.80	1.46	1D	13/8	1 21/32	15/32	3/16	●	●	●										0.8
2CAK21	2.15	1.90	1.56	1D	13/8	1 21/32	15/32	3/16	●	●	●										0.9
2CAK22	2.25	2.00	1.66	1D	13/8	1 21/32	15/32	3/16	●	●	●	●									1.0
2CAK23	2.35	2.10	1.76	1D	13/8	1 21/32	15/32	3/16		●	●	●	●								1.1
2CAK25	2.55	2.30	1.96	1D	13/8	1 21/32	15/32	3/16		●	●	●	●	●							1.3
2CAK26	2.65	2.40	2.06	1D	13/8	1 21/32	15/32	3/16		●	●	●	●	●							1.4
2CAK27	2.75	2.50	2.16	1D	13/8	1 21/32	15/32	3/16		●	●	●	●	●							1.5
2CAK28	2.85	2.60	2.26	1D	13/8	1 21/32	15/32	3/16		●	●	●	●	●							1.8
2CAK30	3.05	2.80	2.46	1D	13/8	1 21/32	15/32	3/16	●	●	●	●	●	●	●						1.9
2CAK32	3.25	3.00	2.66	1D	13/8	1 21/32	15/32	3/16		●	●	●	●	●	●						2.1
2CAK34	3.45	3.20	2.86	1D	13/8	1 21/32	15/32	3/16		●	●	●	●	●	●						2.3
2CAK39	3.75	3.50	3.16	2D	13/8	1 11/32	15/32	1/2		●	●	●	●	●	●						2.6
2CAK41	3.95	3.70	3.36	2D	13/8	1 11/32	15/32	1/2		●	●	●	●	●	●						2.9
2CAK44	4.25	4.00	3.66	2D	13/8	1 11/32	15/32	1/2		●	●	●	●	●	●						3.0
2CAK46	4.45	4.20	3.86	2D	13/8	1 11/32	15/32	1/2		●	●	●	●	●	●						3.1
2CAK49	4.75	4.50	4.16	2D	13/8	1 11/32	15/32	1/2			●	●	●	●	●			●			3.6
2CAK51	4.95	4.70	4.36	2D	13/8	1 11/32	15/32	1/2			●	●	●	●	●			●			3.8
2CAK54	5.25	5.00	4.66	3D	13/8	1 11/32	15/32	1/2		●	●	●	●	●	●			●			3.3
2CAK56	5.45	5.20	4.86	3D	13/8	1 11/32	15/32	1/2		●	●	●	●	●	●			●			3.4
2CAK59	5.75	5.50	5.16	3D	13/8	1 11/32	15/32	1/2			●	●	●	●	●			●			3.5
2CAK61	5.95	5.70	5.36	3D	13/8	1 11/32	15/32	1/8			●	●	●	●	●	●		●			3.6
2CAK64	6.25	5.00	5.66	3D	13/8	1 19/32	11/32	1/8			●	●	●	●	●	●	●	●	●		4.8
2CAK74	7.25	7.00	6.66	3D	13/8	1 19/32	11/32	1/8			●	●	●	●	●	●	●	●	●		5.6
2CAK84	8.25	8.00	7.66	3D	13/8	1 19/32	11/32	1/8			●	●	●	●	●	●	●	●	●		6.4
2CAK94	9.25	9.00	8.66	3D	13/8	1 19/32	11/32	1/8			●	●	●	●	●	●	●	●	●		7.3
2CAK104	10.25	10.00	9.66	3D	13/8	1 19/32	11/32	1/8			●	●	●	●	●	●	●	●	●		8.1
2CAK114	11.25	11.00	10.66	3D	13/8	1 19/32	11/32	1/8			●	●	●	●	●	●	●	●	●		9.0
2CAK124	12.25	12.00	11.66	3D	13/8	1 19/32	11/32	1/8			●	●	●	●	●	●	●	●	●		9.8
2CAK134	13.25	13.00	12.66	3D	13/8	1 19/32	11/32	1/8			●	●	●	●	●	●	●	●	●		12.3
2CAK144	14.25	14.00	13.66	3D	13/8	1 19/32	11/32	1/8			●	●	●	●	●	●	●	●	●		13.9
2CAK154	15.25	15.00	14.66	3D	13/8	1 19/32	11/32	1/8				●	●	●	●	●	●	●	●		14.3
2CAK184	18.25	18.00	17.66	3D	13/8	1 19/32	11/32	1/8					●	●	●	●	●	●	●		17.4

Cast Iron Sheaves



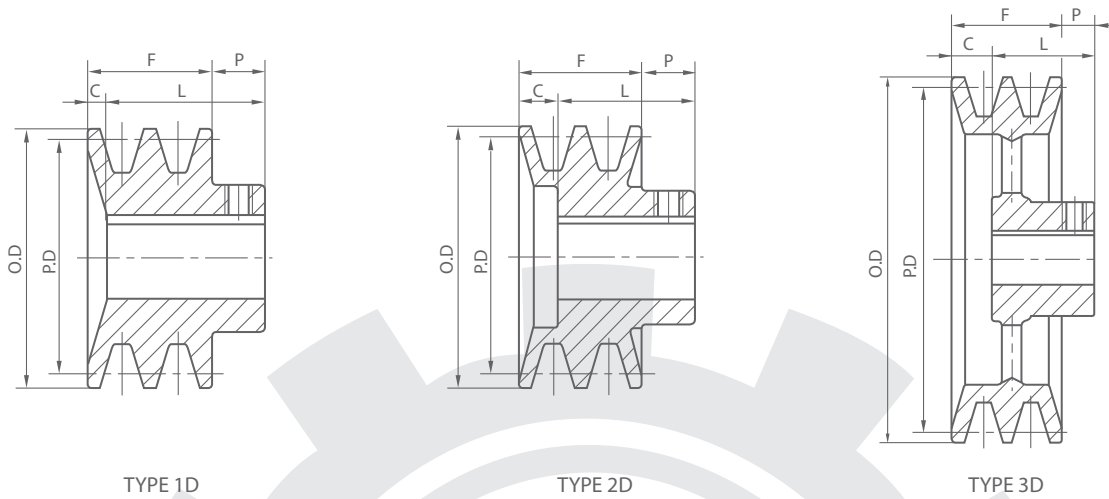
Single Groove Sheaves for "4L" or "A" Belts and "5L" or "B" Belts

Catalog Number	Diameter			Type	Dimensions				Stock Bores										wt		
	OD	PD A	PD B		F	L	P	C	1/2	5/8	3/4	7/8	15/16	1	1 1/8	1 3/16	1 1/4	1 3/8	1 7/16	Lbs	
CBK24	2.40	1.80	2.20	1	13/16	1 1/16	13/32	5/32	●	●	●										0.4
CBK25	2.50	1.90	2.30	1	13/16	1 1/16	13/32	5/32	●	●	●	●									0.5
CBK26	2.60	2.00	2.40	1	13/16	1 1/16	13/32	5/32	●	●	●	●									0.6
CBK27	2.70	2.10	2.50	2	13/16	1 1/16	13/32	5/32	●	●	●	●									0.7
CBK28	2.95	2.20	2.60	2	13/16	1 1/16	13/32	5/32	●	●	●	●									0.8
CBK30	3.15	2.40	2.80	2	13/16	1 1/16	13/32	5/32	●	●	●	●									0.9
CBK32	3.35	2.60	3.00	2	13/16	1 1/16	13/32	5/32	●	●	●	●									1.0
CBK34	3.55	2.80	3.20	2	7/8	1 5/32	13/32	1/8	●	●	●	●	●		●						1.3
CBK36	3.75	3.00	3.40	2	7/8	1 5/32	13/32	1/8	●	●	●	●	●		●						1.5
CBK40	3.95	3.20	3.60	2	7/8	1 5/32	13/32	1/8	●	●	●	●	●		●						1.6
CBK45	4.25	3.50	3.90	2	7/8	1 5/32	13/32	1/8	●	●	●	●	●		●						1.8
CBK47	4.45	3.70	4.10	2	7/8	1 5/32	13/32	1/8	●	●	●	●	●		●						1.9
CBK50	4.75	4.00	4.40	3	7/8	1 5/32	13/32	1/8	●	●	●	●	●	●							2.0
CBK52	4.95	4.20	4.60	3	7/8	1 5/32	13/32	1/8	●	●	●	●	●	●							2.1
CBK55	5.25	4.50	4.90	3	7/8	1 5/32	13/32	1/8	●	●	●	●	●	●							2.2
CBK57	5.45	4.70	5.10	3	7/8	1 5/32	13/32	1/8		●	●	●	●	●	●						2.3
CBK60	5.75	5.00	5.40	3	7/8	1 5/32	13/32	1/8	●	●	●	●	●	●		●					2.4
CBK62	5.95	5.20	5.60	3	7/8	1 5/32	13/32	1/8	●	●	●	●	●	●		●					2.5
CBK65	6.25	5.50	5.90	3	7/8	1 5/32	13/32	1/8		●	●	●	●	●	●		●				2.7
CBK67	6.45	5.70	6.10	3	7/8	1 5/32	13/32	1/8	●	●	●	●	●	●		●					2.8
CBK70	6.75	6.00	6.40	3	7/8	1 15/32	2 1/32*	1/16		●	●	●	●	●	●				●	●	3.3
CBK72	6.95	6.20	6.60	3	7/8	1 15/32	2 1/32	1/16		●	●	●	●	●	●			●	●	●	3.9
CBK75	7.25	6.50	6.90	3	7/8	1 15/32	2 1/32	1/16		●	●	●	●	●	●		●		●	●	4.0
CBK77	7.45	6.70	7.10	3	7/8	1 15/32	2 1/32	1/16		●	●	●	●	●	●		●		●	●	4.1
CBK80	7.75	7.00	7.40	3	7/8	1 15/32	2 1/32	1/16		●	●	●	●	●	●		●		●	●	4.4
CBK85	8.25	7.50	7.90	3	7/8	1 15/32	2 1/32	1/16			●	●	●	●	●			●	●	●	5.0
CBK90	8.75	8.00	8.40	3	7/8	1 15/32	2 1/32	1/16			●	●	●	●	●		●		●	●	5.2
CBK95	9.25	8.50	8.90	3	7/8	1 15/32	2 1/32	1/16			●	●	●	●	●		●		●	●	5.4
CBK100	9.75	9.00	9.40	3	7/8	1 15/32	2 1/32	1/16			●	●	●	●	●		●		●	●	5.6
CBK105	10.25	9.50	9.90	3	7/8	1 15/32	2 1/32	1/16			●	●	●	●	●		●		●	●	5.8
CBK110	10.75	10.00	10.40	3	7/8	1 15/32	2 1/32	1/16			●	●	●	●	●			●	●	●	6.4
CBK115	11.25	10.50	10.90	3	7/8	1 15/32	2 1/32	1/16			●	●	●	●	●			●	●	●	6.9
CBK120	11.75	11.00	11.40	3	7/8	1 15/32	2 1/32	1/16			●	●	●	●	●			●	●	●	7.4
CBK130	12.75	12.00	12.40	3	7/8	1 15/32	2 1/32	1/16			●	●	●	●	●		●		●	●	8.4
CBK140	13.75	13.00	13.40	3	7/8	1 15/32	2 1/32	1/16			●	●	●	●	●		●		●	●	9.4
CBK160	15.75	15.00	15.40	3	7/8	1 15/32	2 1/32	1/16						●	●	●	●		●	●	12.4
CBK190	18.75	18.00	18.40	3	7/8	1 15/32	2 1/32	1/16							●	●	●	●		●	13.4

\*P=13/32 and C=1/8 for 1" Bore and smaller



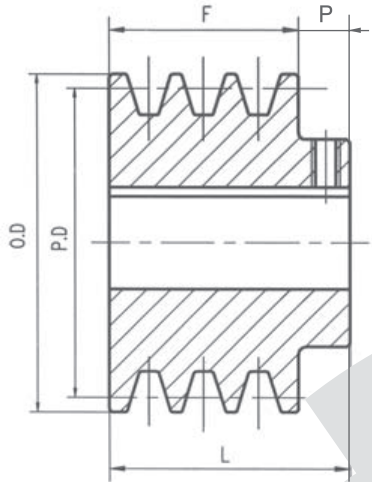
Cast Iron Sheaves



Double Groove Sheaves for "4L" or "A" Belts and "5L" or "B" Belts

Catalog Number	Diameter			Type	Dimensions				Stock Bores										wt Lbs		
	OD	PD A	PD B		F	L	P	C	1/2	5/8	3/4	7/8	15/16	1	1 1/8	1 3/16	1 1/4	1 3/8		1 7/16	
2CBK25	2.50	1.90	2.30	1D	13/4	131/32	15/32	1/4	●	●	●	●	●	●	●						1.3
2CBK27	2.70	2.10	2.50	1D	13/4	131/32	15/32	1/4	●	●	●	●	●	●	●						1.6
2CBK28	2.95	2.20	2.60	1D	13/4	131/32	15/32	1/4	●	●	●	●	●	●	●						1.9
2CBK30	3.15	2.40	2.80	1D	13/4	131/32	15/32	1/4	●	●	●	●	●	●	●						2.3
2CBK32	3.35	2.60	3.00	1D	13/4	131/32	15/32	1/4		●	●	●	●	●	●						2.6
2CBK34	3.55	2.80	3.20	1D	13/4	131/32	15/32	1/4		●	●	●	●	●	●						2.8
2CBK36	3.75	3.00	3.40	1D	13/4	131/32	15/32	1/4		●	●	●	●	●	●			●			3.3
2CBK40	3.95	3.20	3.60	2D	13/4	115/32	15/32	3/4		●	●	●	●	●	●					●	3.4
2CBK45	4.25	3.50	3.90	2D	13/4	115/32	15/32	3/4		●	●	●	●	●	●					●	3.6
2CBK47	4.45	3.70	4.10	2D	13/4	115/32	15/32	3/4			●	●	●	●	●						3.7
2CBK50	4.75	4.00	4.40	2D	13/4	115/32	15/32	3/4			●	●	●	●	●					●	4.1
2CBK52	4.95	4.20	4.60	2D	13/4	115/32	15/32	3/4			●	●	●	●	●					●	4.5
2CBK55	5.25	4.50	4.90	2D	13/4	115/32	15/32	3/4			●	●	●	●	●					●	4.8
2CBK57	5.45	4.70	5.10	2D	13/4	115/32	15/32	3/4			●	●	●	●	●					●	5.1
2CBK60	5.75	5.00	5.40	3D	13/4	115/32	15/32	3/4			●	●	●	●	●					●	4.9
2CBK62	5.95	5.20	5.60	3D	13/4	115/32	15/32	3/4				●	●	●	●					●	4.8
2CBK65	6.25	5.50	5.90	3D	13/4	115/32	15/32	3/4				●	●	●	●					●	5.0
2CBK67	6.45	5.70	6.10	3D	13/4	115/32	15/32	3/4				●	●	●	●					●	5.5
2CBK70	6.75	6.00	6.40	3D	13/4	119/32	11/32	1/2				●	●	●	●			●		●	6.0
2CBK80	7.75	7.00	7.40	3D	13/4	119/32	11/32	1/2				●	●	●	●			●		●	7.2
2CBK90	8.75	8.00	8.40	3D	13/4	119/32	11/32	1/2				●	●	●	●			●		●	8.4
2CBK100	9.75	9.00	9.40	3D	13/4	119/32	11/32	1/2				●	●	●	●			●		●	9.4
2CBK110	10.75	10.00	10.40	3D	13/4	119/32	11/32	1/2				●	●	●	●			●		●	10.4
2CBK120	11.75	11.00	11.40	3D	13/4	119/32	11/32	1/2				●	●	●	●			●		●	11.8
2CBK130	12.75	12.00	12.40	3D	13/4	119/32	11/32	1/2				●	●	●	●			●		●	14.9
2CBK140	13.75	13.00	13.40	3D	13/4	119/32	11/32	1/2				●	●	●	●			●		●	16.3
2CBK160	15.75	15.00	15.40	3D	13/4	119/32	11/32	1/2				●	●	●	●			●		●	18.0
2CBK190	18.75	18.00	18.40	3D	13/4	119/32	11/32	1/2				●	●	●	●			●		●	23.3

**Cast Iron Sheaves**



TYPE 3T



**Single Groove Sheaves for "4L" or "A" Belts and "5L" or "B" Belts**

Catalog Number	Diameter			Type	Dimensions			Stock Bores				wt Lbs
	OD	PD A	PD B		F	L	P	5/8"	7/8"	1	1 1/8"	
3CBK25	2.50	1.90	2.30	3T	2 1/2	3	1/2	●	●			1.7
3CBK27	2.70	2.10	2.50	3T	2 1/2	3	1/2	●	●	●		2.1
3CBK28	2.95	2.20	2.60	3T	2 1/2	3	1/2	●	●	●	●	2.5
3CBK30	3.15	2.40	2.80	3T	2 1/2	3	1/2		●	●	●	3.0
3CBK32	3.35	2.60	3.00	3T	2 1/2	3	1/2		●	●	●	3.4
3CBK34	3.55	2.80	3.20	3T	2 1/2	3	1/2		●	●	●	3.8
3CBK36	3.75	3.00	3.40	3T	2 1/2	3	1/2		●	●	●	4.3
3CBK40	3.95	3.20	3.60	3T	2 1/2	3	1/2		●	●	●	4.7



**Standard Keyseats**

Bore Range	Keyseats	Bore Range	Keyseat
1/2-9/16	1/8x1/16	25/16-23/4	5/8x5/16
5/8-7/8	3/16x3/32	213/16-31/4	3/4x3/8
15/16-11/4	1/4x1/8	35/16-33/4	7/8x7/16
15/16-13/8	5/16x5/32	313/16-41/2	1x1/2
17/16-13/4	3/8x3/16	49/16-51/2	1 1/4x5/8
113/16-21/4	1/2x1/4		